

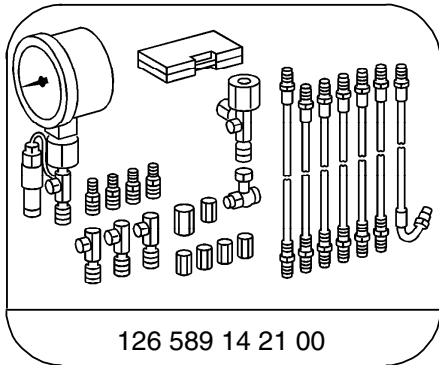
Hydraulic Test Program - Preparation for Test

Check and correct soft top/roll bar hydraulic fluid level
(Maintenance Manual job no. 7710).

Note:

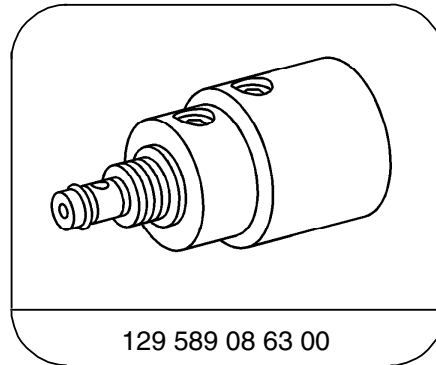
In order to carry out a thorough inspection when checking for the cause of hydraulic oil loss, remove the trim panels or the rear seat assembly.

Special Tools



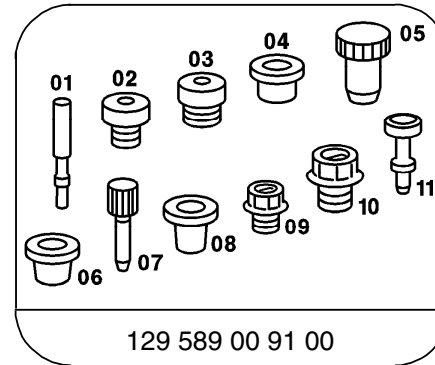
126 589 14 21 00

Tester



129 589 08 63 00

Check valve



129 589 00 91 00

Set of plugs