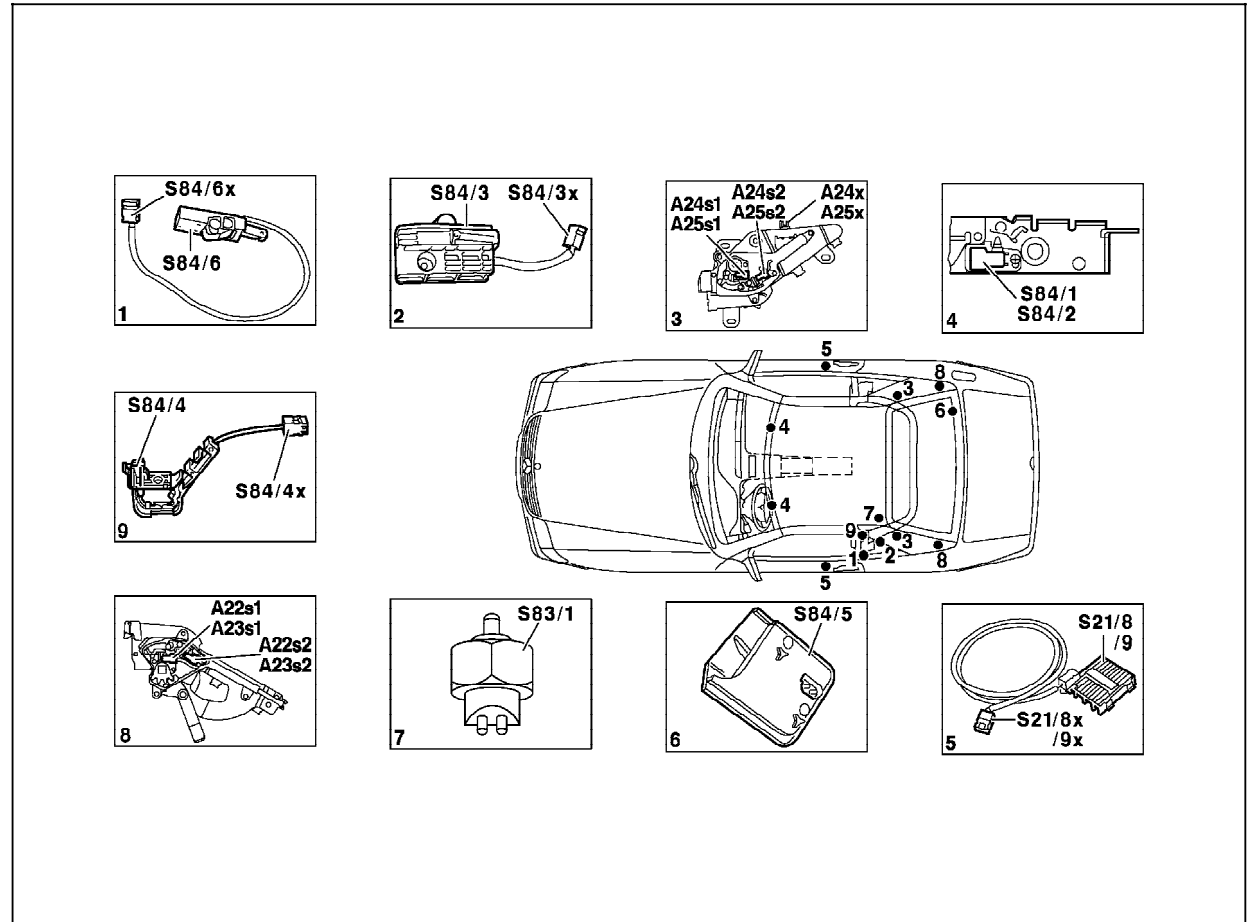


Electrical Test Program – Component Locations

Locations of Limit Switches

Figure 1

- A22s1 Bow "closed" switch (8)
- A22s2 Bow "locked" switch (8)
- A23s1 Bow "closed" switch (8)
- A23s2 Bow "locked" switch (8)
- A24s1 Cover "closed" switch (3)
- A24s2 Cover "locked" switch (3)
- A25s1 Cover "closed" switch (3)
- A25s2 Cover "locked" switch (3)
- S21/8 Right front door "window down" limit switch (5)
- S21/9 Left front door "window down" limit switch (5)
- S83/1 RB "retracted" switch (7)
- S84/1 Left front soft top "locked" switch (4)
- S84/2 Right front soft top "locked" switch (4)
- S84/3 Soft top "open" switch (soft top in storage compartment) (2)
- S84/5 Soft top compartment "open" switch (6)
- S84/6 Soft top fabric bow "raised" switch (1)



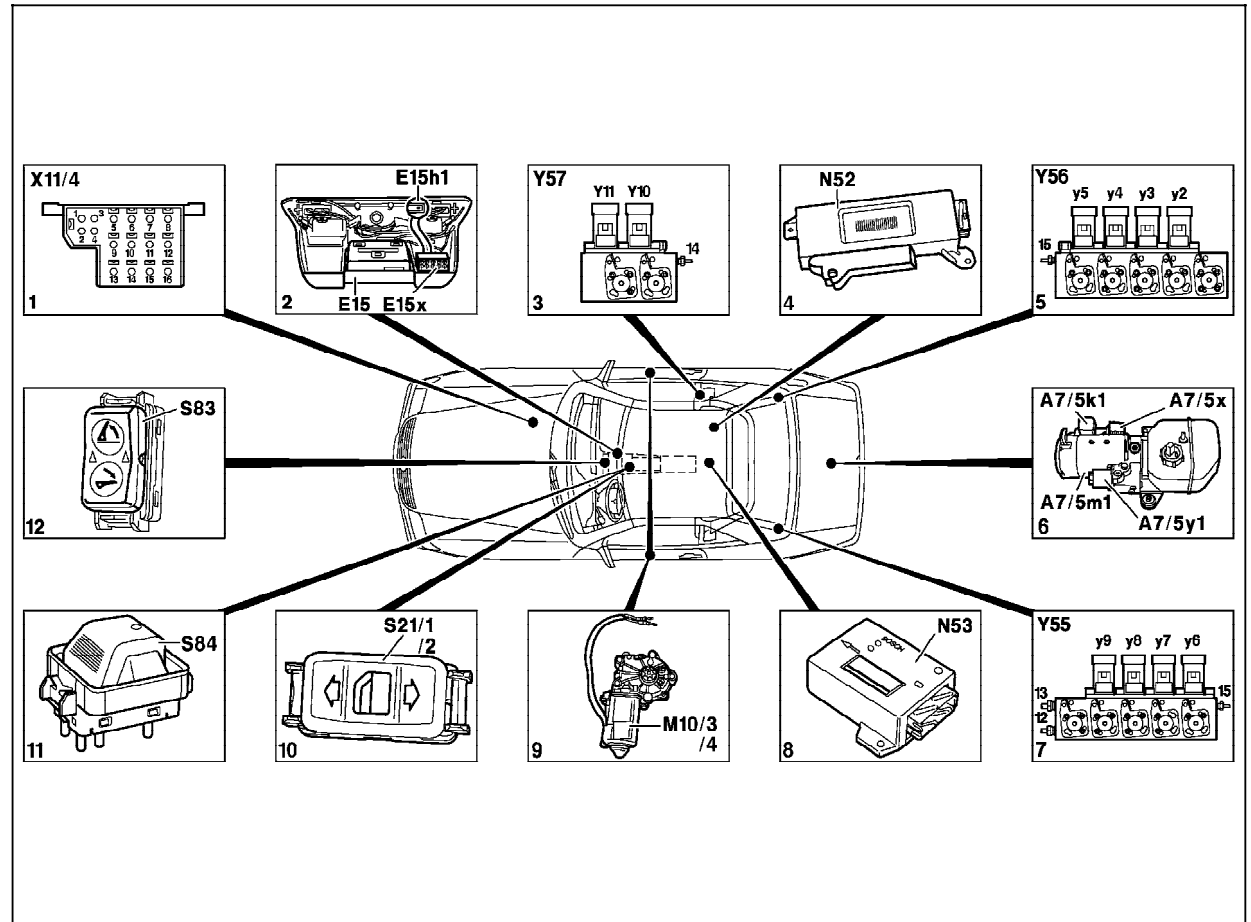
P77.39-0267-09

Electrical Test Program – Component Locations

Locations of the Electrical Components

Figure 2

- A7/5k1 Hydraulic unit relay
- A7/5m1 Hydraulic unit motor
- A7/5x1 Hydraulic unit connector
- A7/5y1 Main valve (deleted as of VIN 1F-083891)
- E15 Dome lamp (with shut-off delay and reading lamp)
- E15h1 Warning buzzer
- E15x1 Dome lamp connector (with shut-off delay and reading lamp)
- M10/3 Left front power window motor (voltage supply) (9)
- M10/4 Right front power window motor (voltage supply) (9)
- N52 Power soft top control module (4)
- N53 RB control module (crash deployment) (8)
- S21/1 Left front power window switch (front center console) (10)
- S21/2 Right front power window switch (front center console) (10)
- S83 RB switch (manual operation) (12)
- S84 Power soft top switch (11)
- X11/4 Data link connector (DTC readout) (1)
- Y55 Left RST valve block (4 connections) (7)
- Y55y6 Soft top "open" valve
- Y55y7 Soft top "close" valve
- Y55y8 Fabric bow "raise" valve
- Y55y9 Fabric bow "lower" valve
- Y56 Right RST valve block (4 connections) (5)
- Y56y2 Rear locks valve
- Y56y3 Center locks valve
- Y56y4 Front locks valve
- Y56y5 Soft top compartment cover valve
- Y57 RB valve block (3)
- Y57y10 Rod side valve
- Y57Y11 Piston side valve



P77.39-0268-09

Electrical Test Program – Hydraulic Component Locations

Locations of the Hydraulic Components

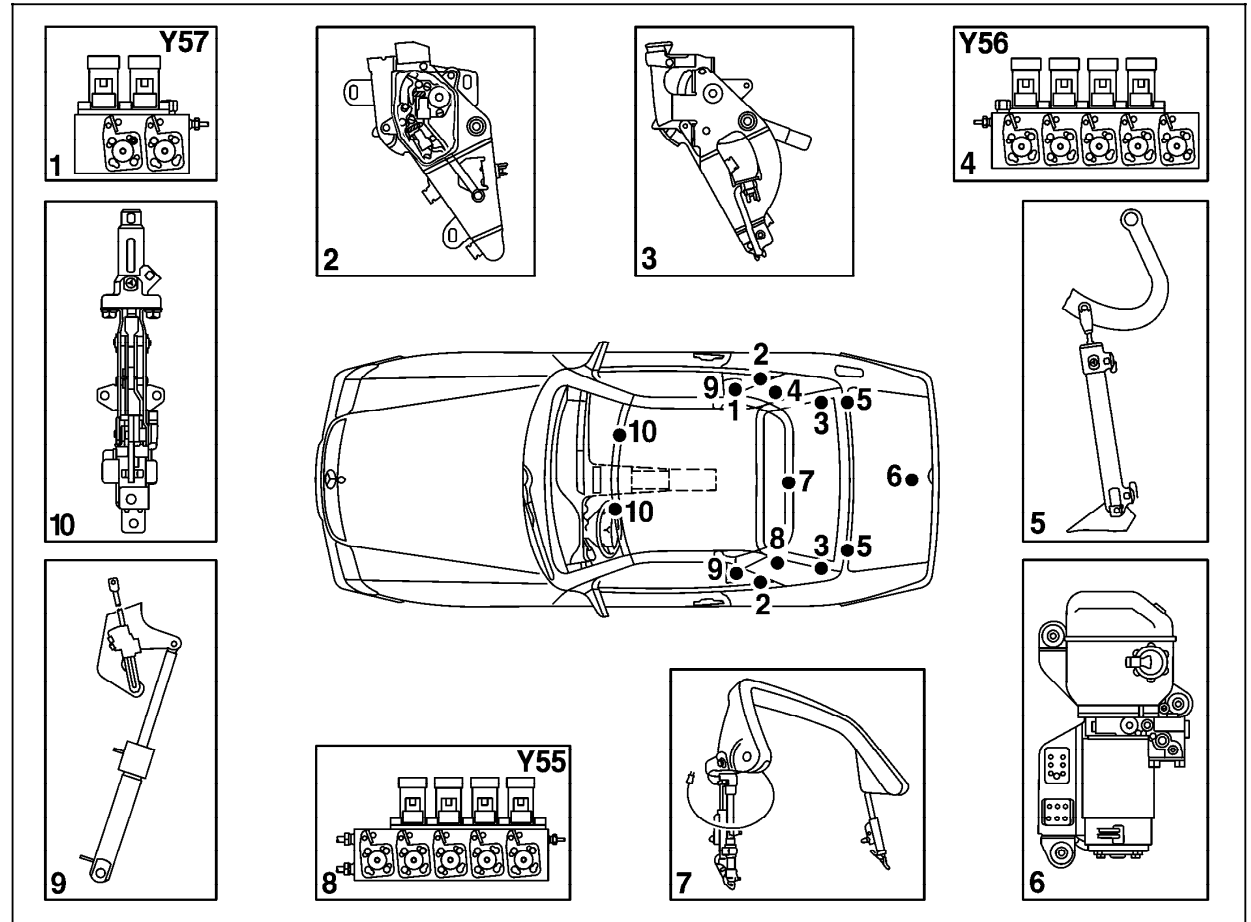


Figure 3

- 1 RB valve block (Y57)
- 2 Center locks
- 3 Rear locks
- 4 Right RST valve block (4 connections)
- 5 Soft top compartment cover hydraulic cylinder
- 6 Hydraulic element
- 7 Complete roll bar
- 8 Left RST valve block (4 connections)
- 9 Soft top and fabric bow hydraulic cylinder
- 10 Front locks

P77.39-0270-06