

## Hydraulic Test Program – Component Locations

### Location of Hydraulic Components

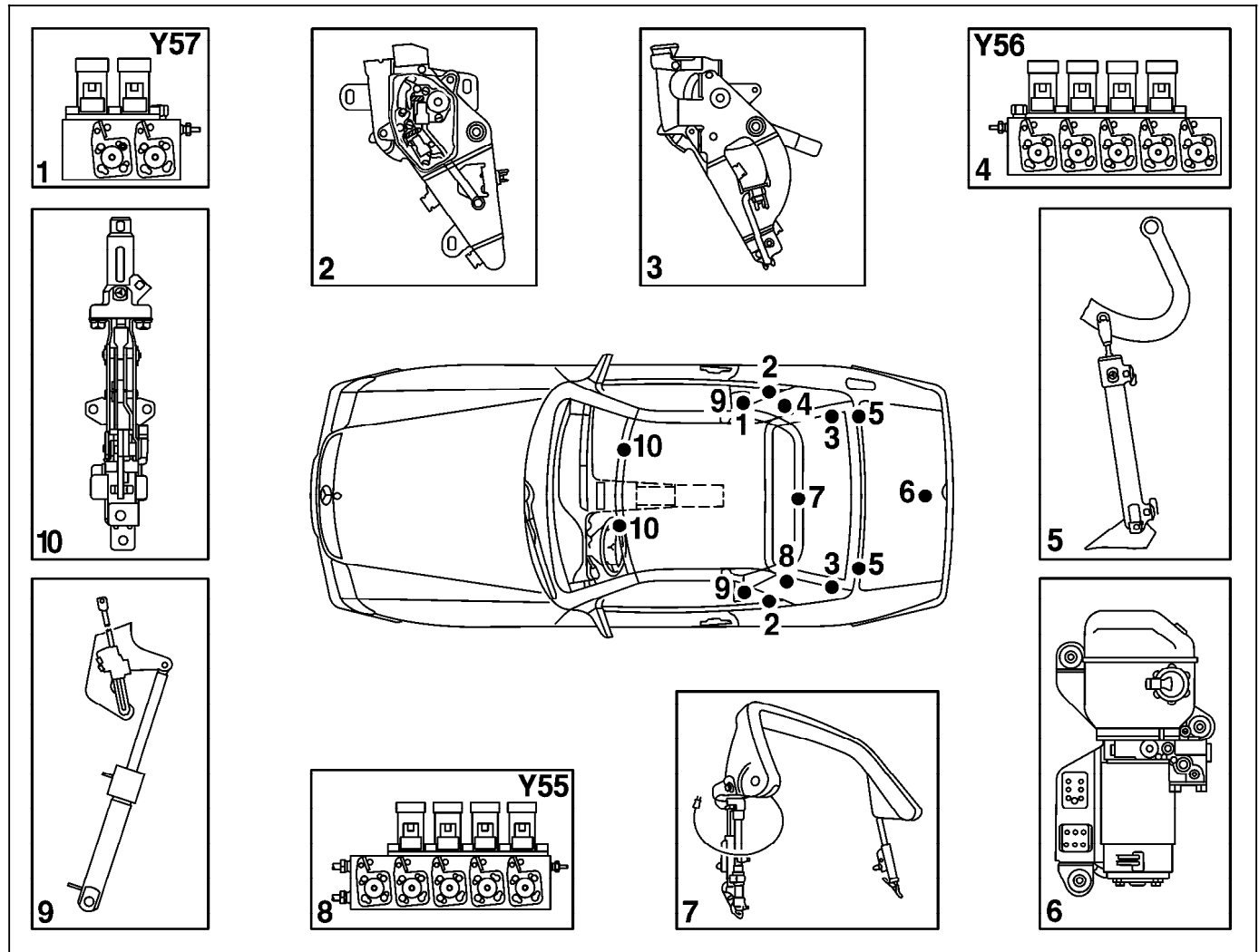


Figure 1

- 1 RB valve block (Y57) (2 connections)
- 2 Center locks
- 3 Rear locks
- 4 Right RST valve block (Y56) (4 connections)
- 5 Soft top compartment cover hydraulic cylinder
- 6 Hydraulic unit
- 7 Completely extended roll bar
- 8 Left RST valve block (Y55)
- 9 Soft top and fabric bow hydraulic cylinder
- 10 Front locks

P77.39-0270-06