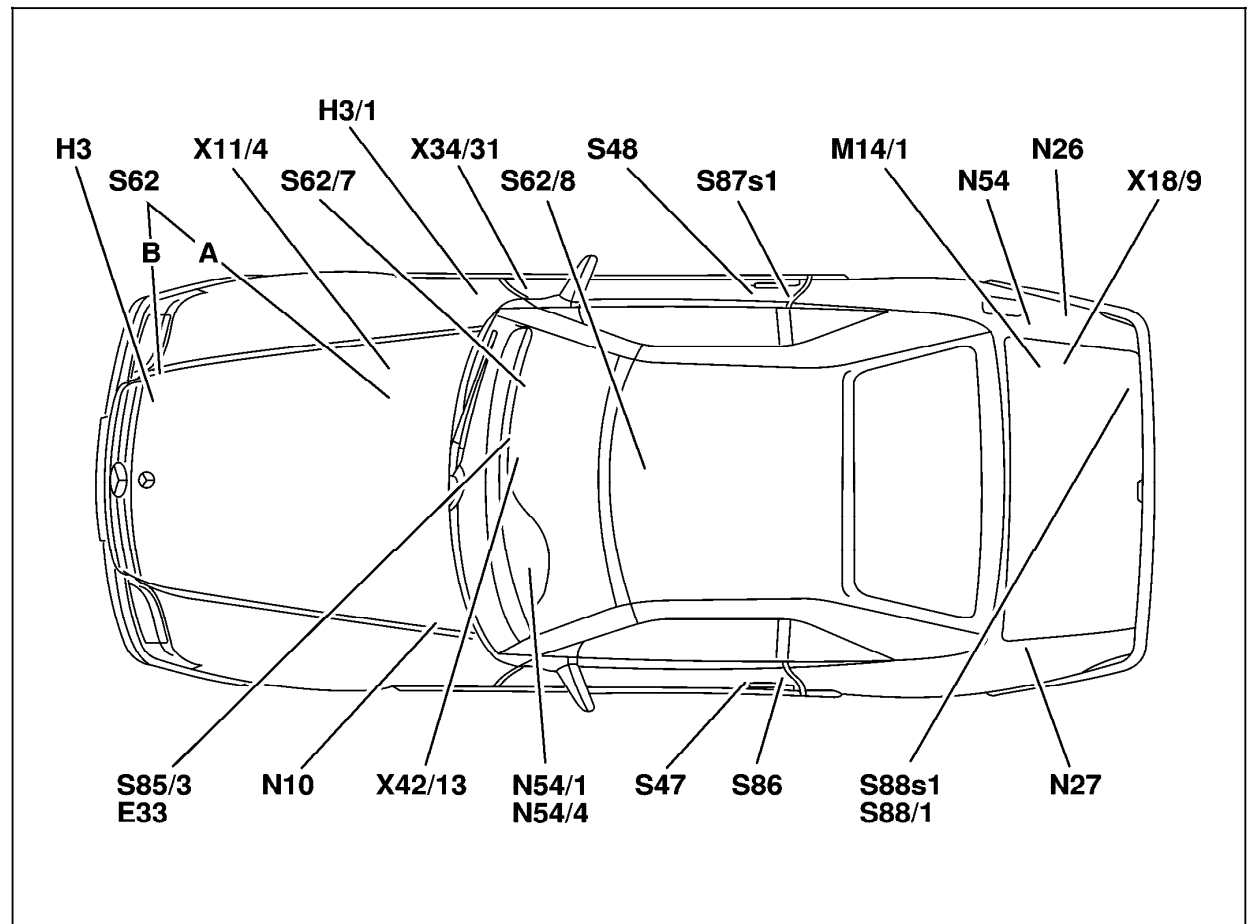


## Electrical Test Program – Component Locations

Figure 1

- E33 ATA status indicator
- H3 Alarm horn (up to 05/98)
- H3/1 Alarm horn with auxiliary battery (as of 06/98)
- N26 ATA control module
- N27 Anti-tow control module (not **(USA)**), repl. with B33
- N54 IRCL control module
- N54/1 DAS control module
- N54/4 DAS radio frequency/infrared control module (as of 06/97)
- S47 Left door actuator
- S48 Right front door actuator
- S62 Engine hood switch
- S62/7 Glove box switch (ATA) (not **(USA)**)
- S62/8 Center console compartment switch
- S85/3 ATA status/towing protection switch
- S86 Left door switch group
- S87s1 ATA/CF microswitch
- S88s1 ATA/CF microswitch
- S88/1 Rotary tumbler/trunk lid microswitch



P80.50-2004-06