

Electrical Test Program – Component Locations

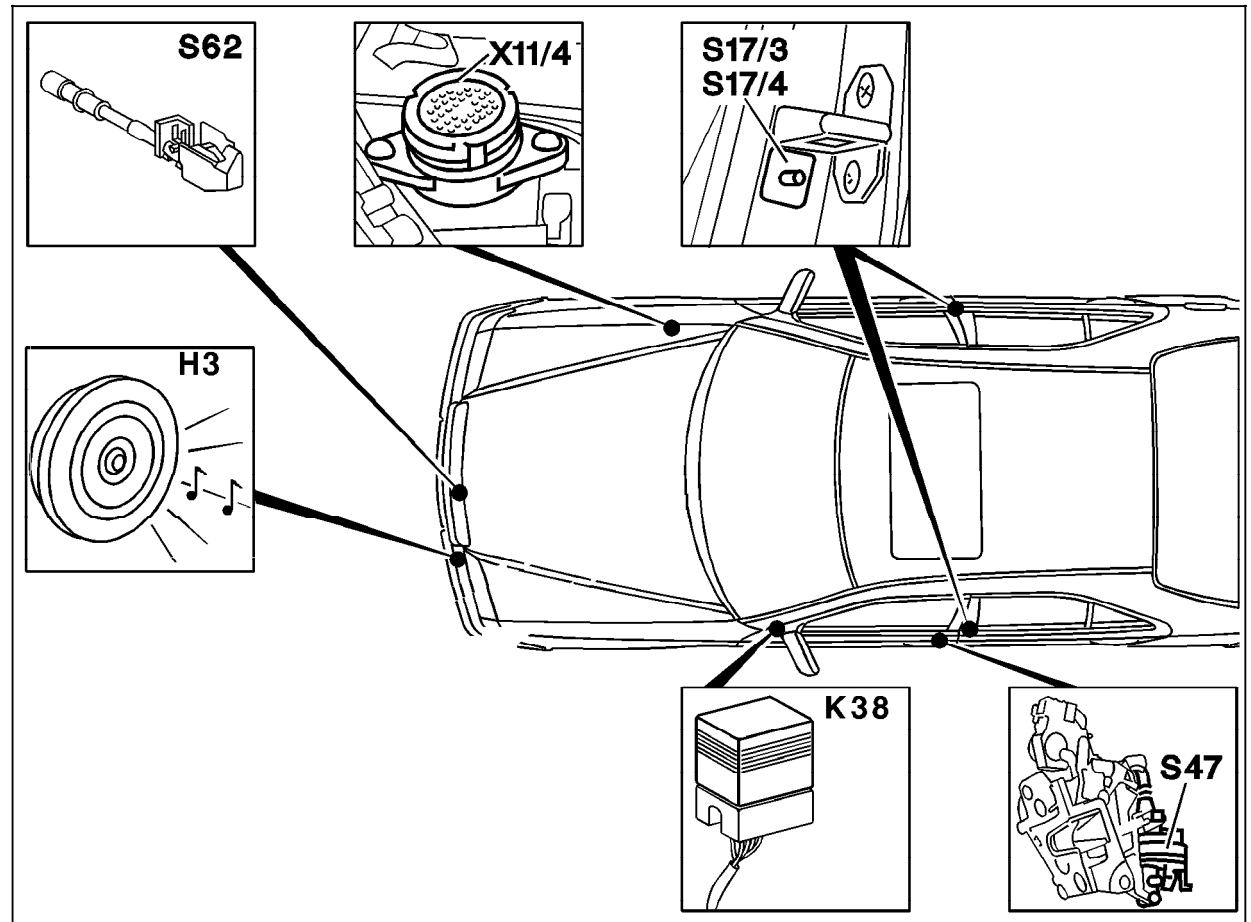


Figure 1

- H3 Alarm horn
- K38 Starter lock-out relay module  
(up to 01/94, lower A-pillar)
- S17/3 Left door switch
- S17/4 Right door switch
- S47 Left door actuator
- S62 Hood switch
- S85 Interior CL switch
- X11/4 Data link connector

U82-7221-57

Electrical Test Program – Component Locations

Up to 08/96

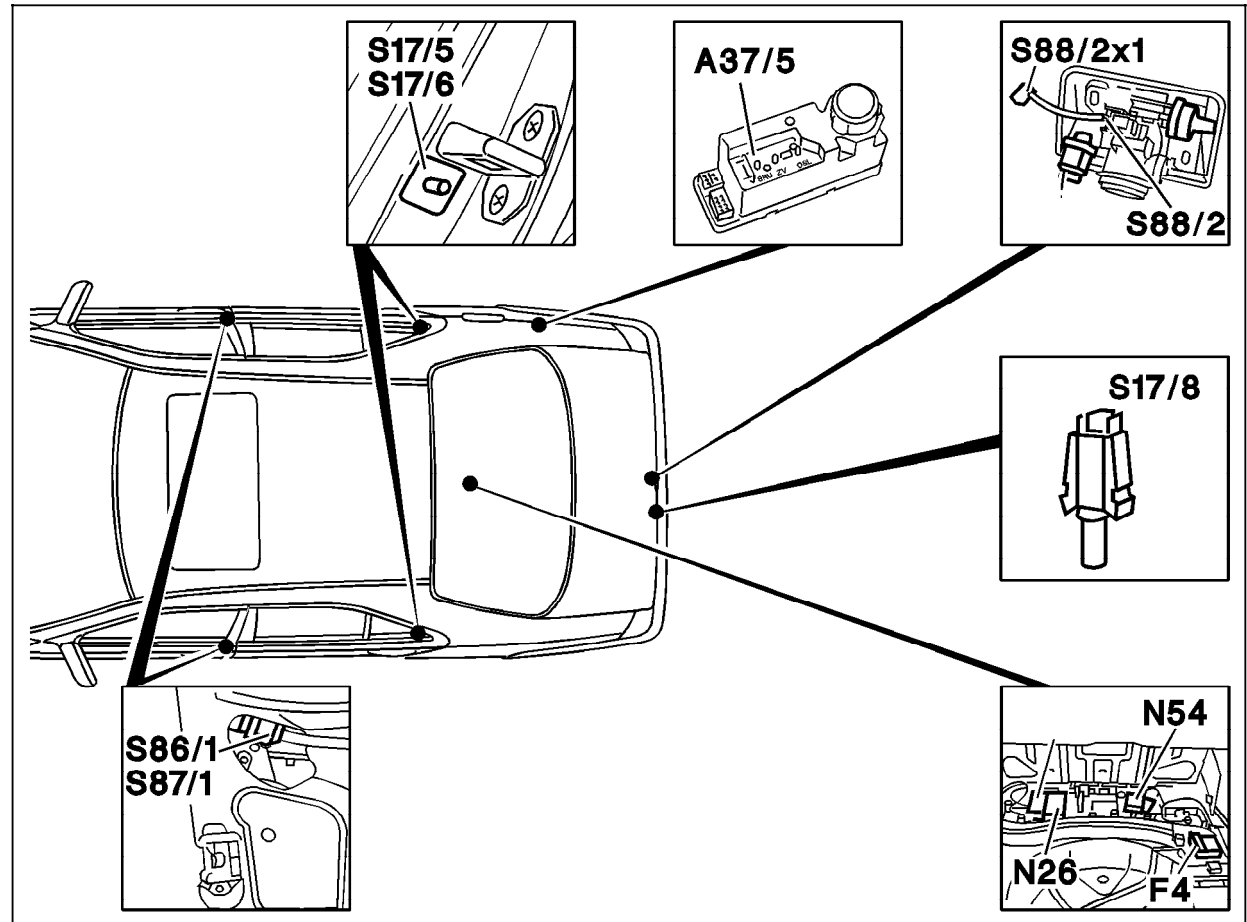


Figure 2

- A37 PSE control module
- F4 Fuse box in trunk
- N26 ATA control module
- N54 RCL control module
- S17/5 Left rear door switch
- S17/6 Right rear door switch
- S17/8 Trunk lamp switch
- S87/1 Right front door lock switch (CF)
- S88/2 Trunk lid lock switch
- S88/2x1 Trunk lid lamp switch connector

U82-7222-57

Electrical Test Program – Component Locations

As of 09/96

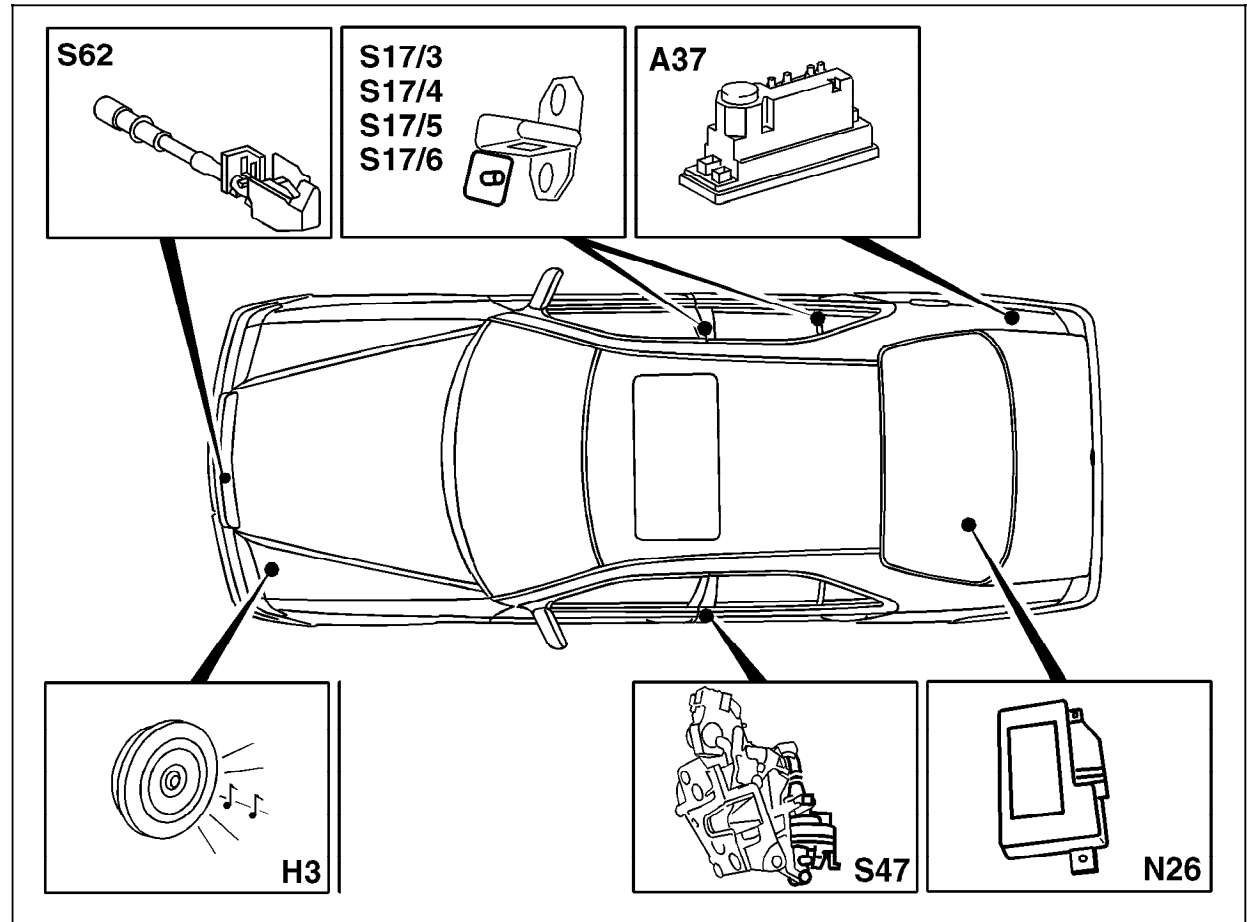


Figure 3

- A37 PSE control module
- H3 Alarm horn
- N26 ATA control module
- S17/3 Left front door switch
- S17/4 Right front door switch
- S17/5 Left rear door switch
- S17/6 Right rear door switch
- S47 Left front door actuator
- S62 Engine hood switch (ATA)

U82.50-0510-57