

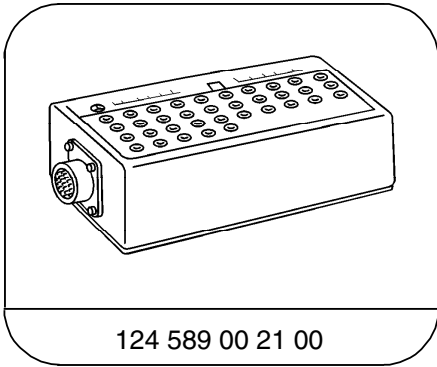
### Electrical Test Program – Preparation for Test

1. Battery voltage 11–14 V.
2. Fuses F1/1-1, F1/1-7 okay.
3. Central locking system okay.
4. RCL system okay.
5. Parking lamps, headlamps and brake lamps okay.

### Electrical wiring diagrams:

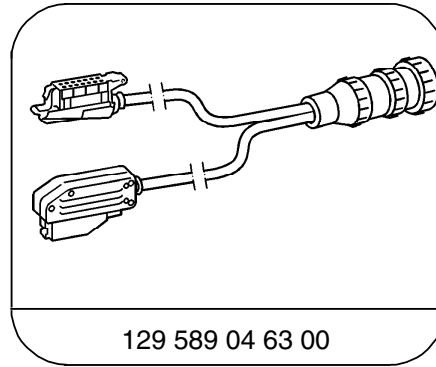
Electrical Troubleshooting Manual, Model 202, Volume 2, groups 80 and 82.

### Special Tools



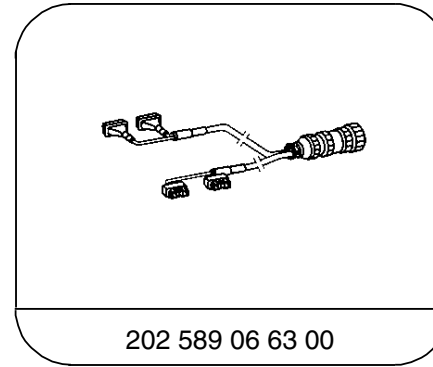
124 589 00 21 00

35-pin socket box



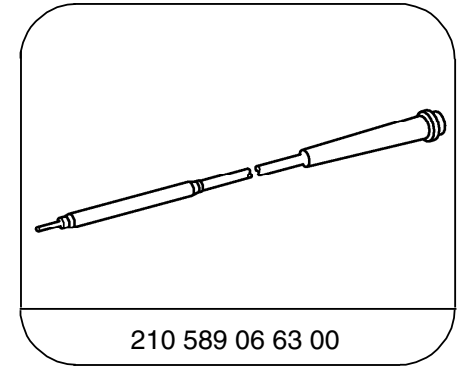
129 589 04 63 00

33-pin test cable



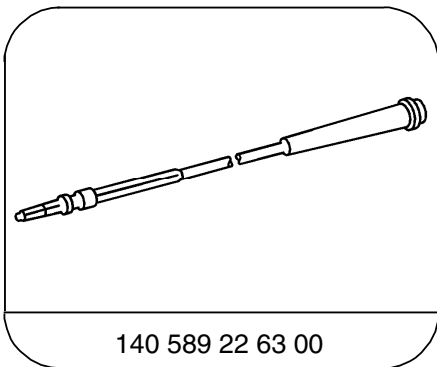
202 589 06 63 00

Test cable, 20 pin



210 589 06 63 00

Adapter cable



140 589 22 63 00

Adapter cable

## 13.4 Anti-Theft Alarm (ATA)

---

### Electrical Test Program – Preparation for Test

#### Conventional tools, test equipment

Description	Brand, model, etc.
Digital multimeter <sup>1)</sup>	Fluke models 23, 83, 85, 87

<sup>1)</sup> Available through the MBUSA Standard Equipment Program.

## 13.4 Anti-Theft Alarm (ATA)

### Electrical Test Program – Preparation for Test

#### Connection Diagram – Socket Box

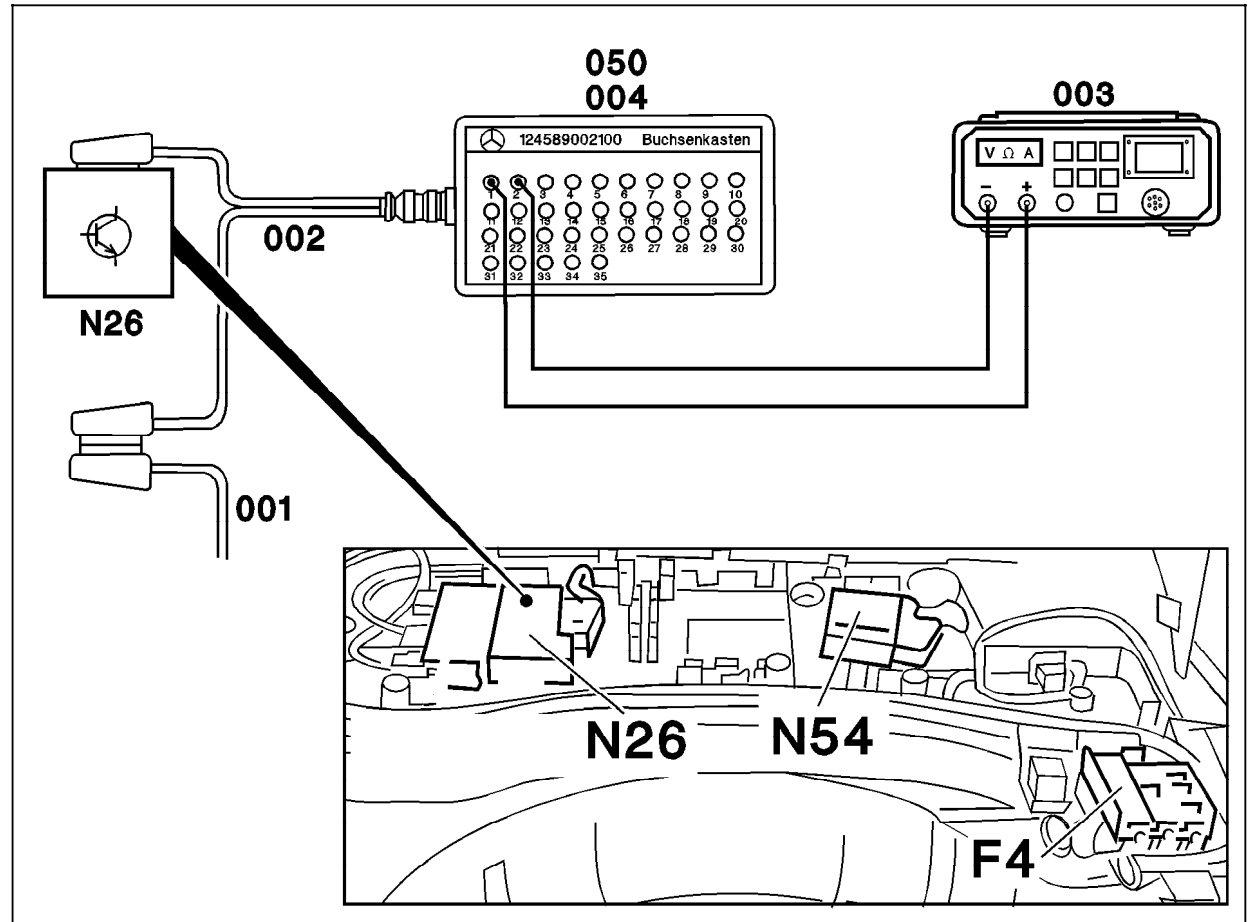


Figure 1

- 001 ATA control module connector
- 002 Test cable
- 003 Digital multimeter
- 004/050 Socket box
- F4 Fuse box in trunk
- N26 ATA control module
- N54 RCL control module

U82-6158-57