

Electrical Test Program – Component Locations (ATA)

Model 210

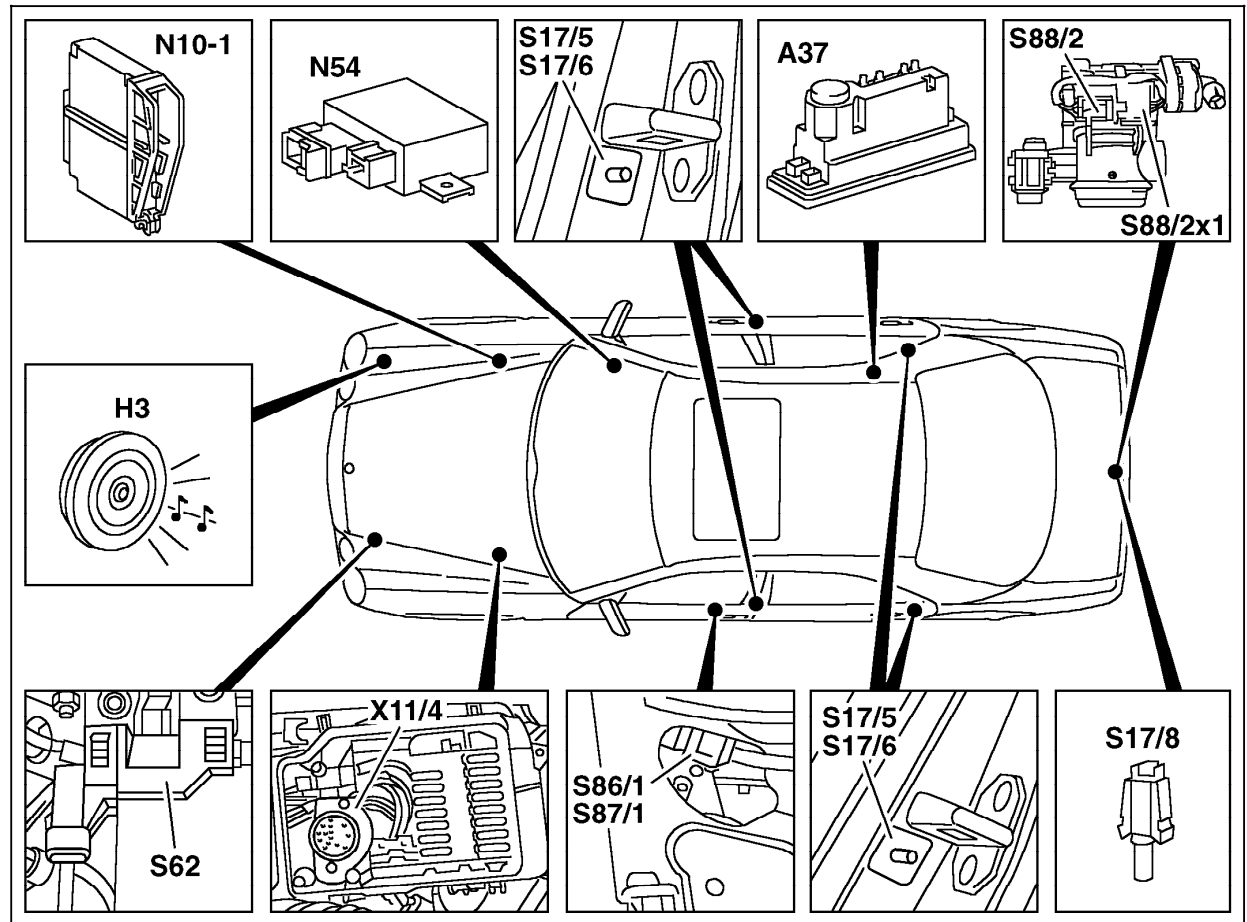


Figure 1

- A37 PSE control module, combined functions
- H3 Alarm horn
- N10-1 Combination control module (convenience feature [CF], wiper system, heated rear window, control module box fan)
- N54 RCL control module
- S17/3 Left front door switch
- S17/4 Right front door switch
- S17/5 Left rear door switch
- S17/6 Right rear door switch
- S86/1 Left front door lock switch (CF) (M.Y. 1996)
- S87/1 Right front door lock switch (CF) (M.Y. 1997)
- S88/2 Trunk lid lock switch (CF)
- S88/2x1 Trunk lid lock switch connector (CF)

P82.50-0619-06