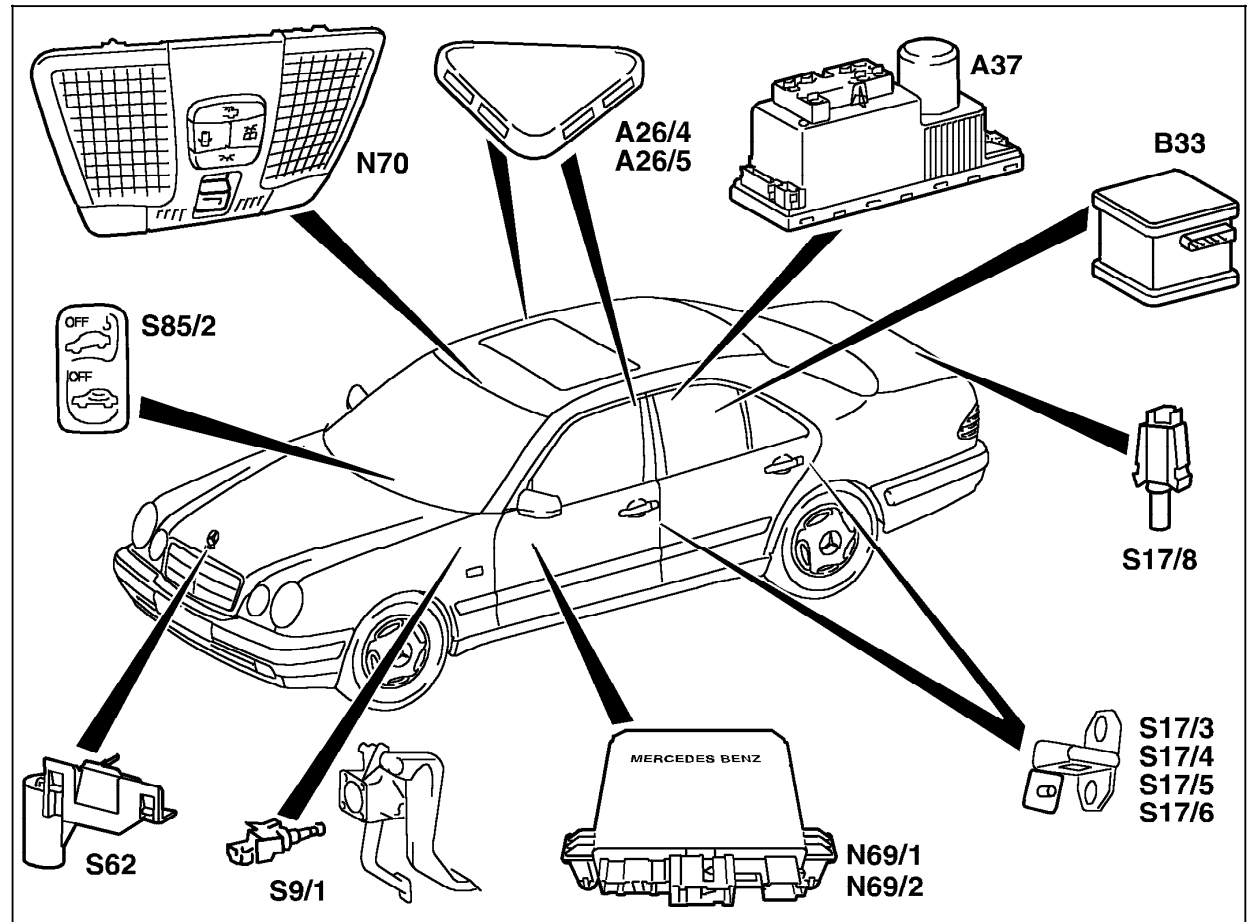


Electrical Test Program – Component Locations (ATA)

Models 202 as of 7/97, 208, 210 as of 3/97:
Up to 06/98
(Shown on model 210 with interior motion sensor [IRS] [(not USA)])

Figure 1

- A26/4 Left infrared transmitter and receiver (interior protection system) (not USA)
- A26/5 Right infrared transmitter and receiver (interior protection system) (not USA)
- A37 PSE control module, combined functions
- B33 ATA tow sensor
- N69/1 Front driver-side door control module
- N69/2 Front passenger-side door control module
- N70 Roof control panel control module
- S9/1 Stop lamp switch (4-pole)
- S17/3 Left front door switch
- S17/4 Right front door switch
- S17/5 Left rear door switch
- S17/6 Right rear door switch
- S17/8 Trunk lamp switch
- S62 Engine hood switch (ATA)
- S85/2 ATA status/towing/interior protection switch



P82.50-0610-06

Electrical Test Program – Component Locations (ATA)

Models 202, 208, 210 as of 06/98
 Model 210 shown

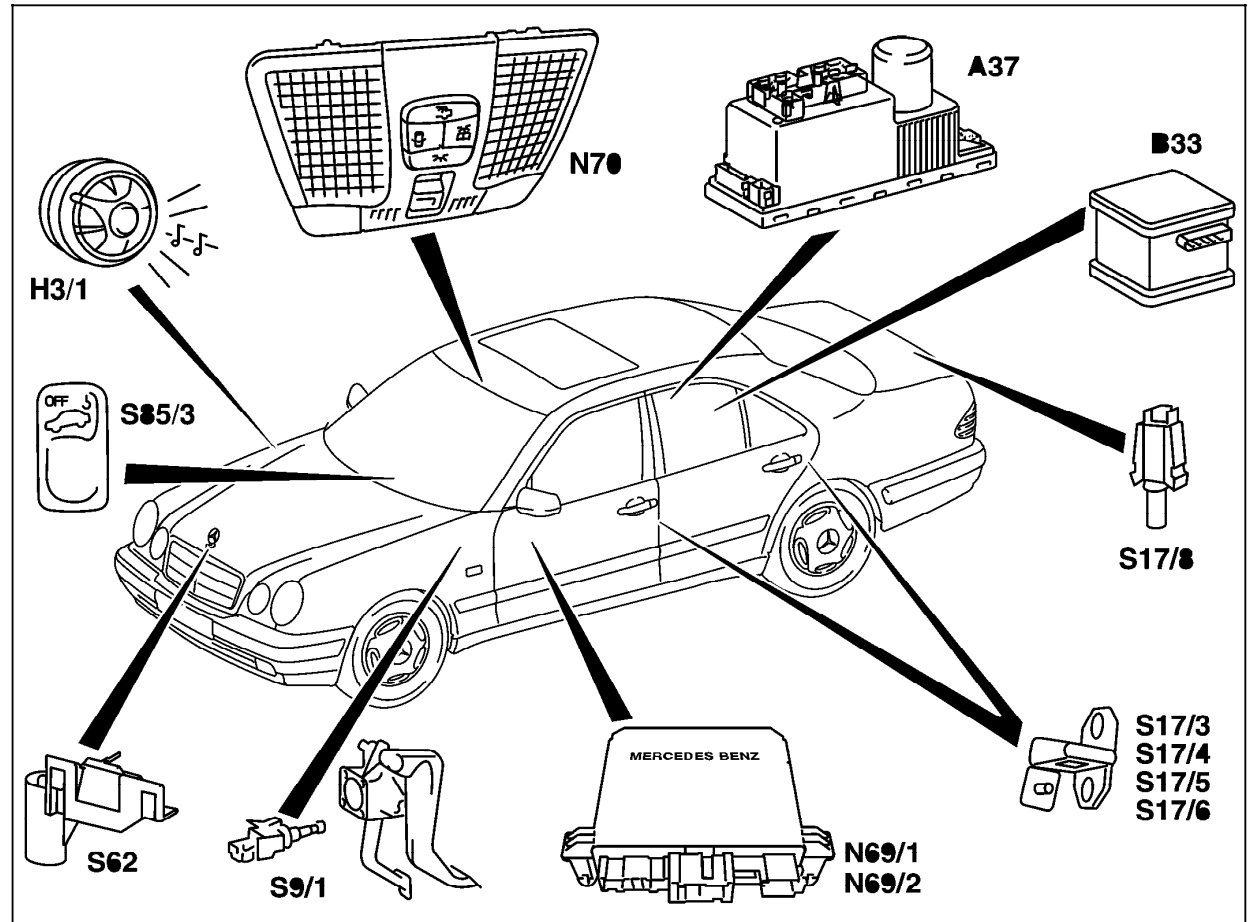


Figure 2

- A37 PSE control module, combined functions
- B33 ATA tow sensor
- H3/1 Not applicable for U.S.A. version vehicles
- N69/1 Front driver-side door control module
- N69/2 Front passenger-side door control module
- N70 Roof control panel control module
- S9/1 Stop lamp switch (4-pole)
- S17/3 Left front door switch
- S17/4 Right front door switch
- S17/5 Left rear door switch
- S17/6 Right rear door switch
- S17/8 Trunk lamp switch
- S62 Engine hood switch (ATA)
- S85/3 ATA status/towing protection switch

P80.50-2001-06