

Electrical Test Program - Preparation for Test

Preparation for Test:

1. Review section 0,
2. Review 20, 22, 23, 31,
3. Voltage supply to All-Activity Module is OK, see WIS, 2.2, 23,
4. Battery voltage 11 – 14 V,
5. Fuses OK.

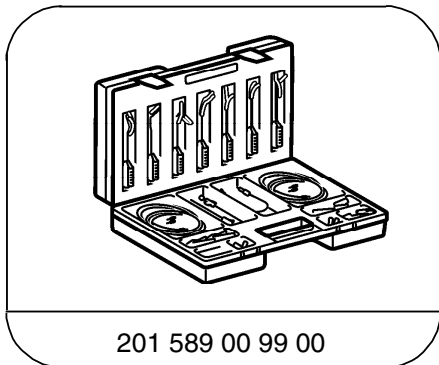
Electrical wiring diagrams:

Electrical Troubleshooting Manual, Model 163,
(available in Work Shop Information System [WIS] only).



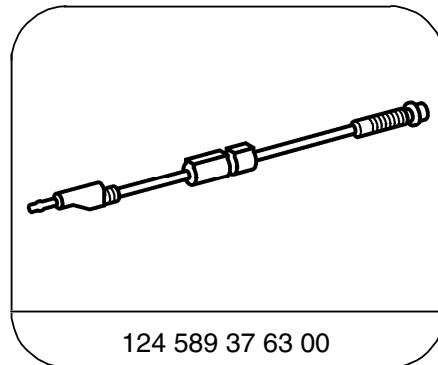
Diagnosis using the HHT of ATA, is only possible in the **unarmed** state,
see AD82.50-2000-06GH

Special Tools



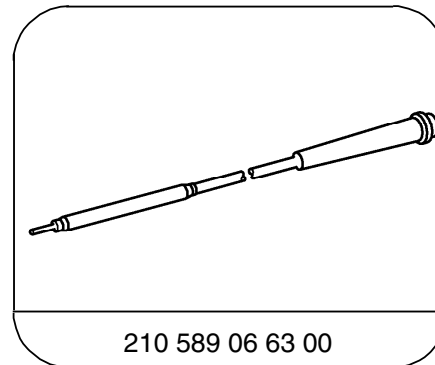
201 589 00 99 00

Electrical connecting set



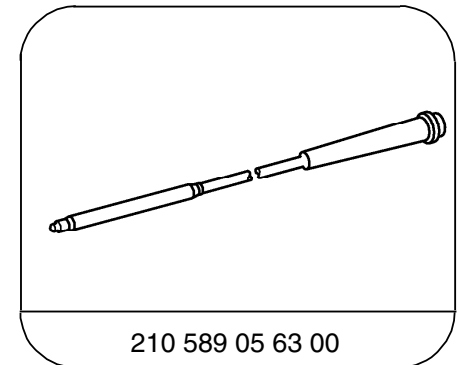
124 589 37 63 00

Fused cable



210 589 06 63 00

Adapter cable



210 589 05 63 00

Adapter cable

Test equipment; See MBUSA Standard Service Equipment Program

Description	Brand, model, etc.
Digital multimeter	Fluke models 23, 77 III, 83, 85, 87
HHT	
Test cable (Multiplex)	