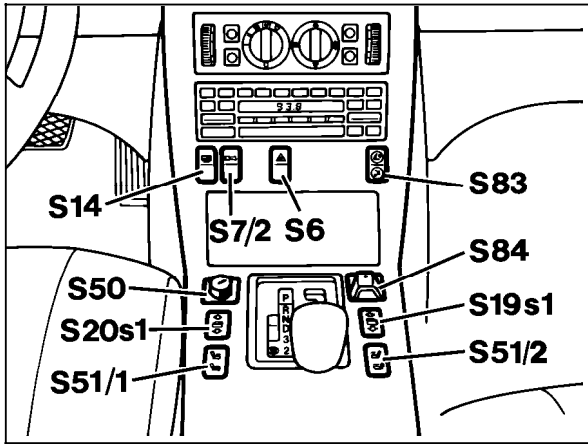


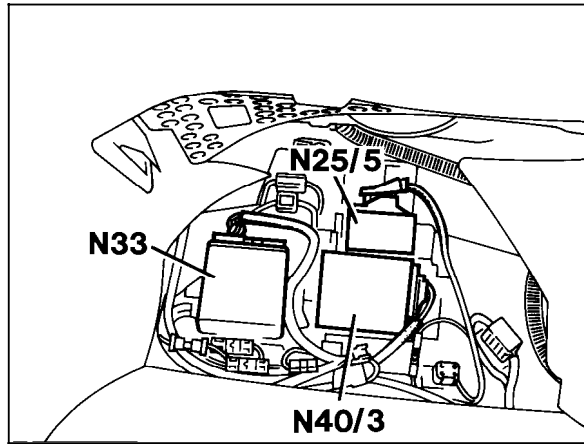
Electrical Test Program - Component Locations



P82-2004-13

Figure 1

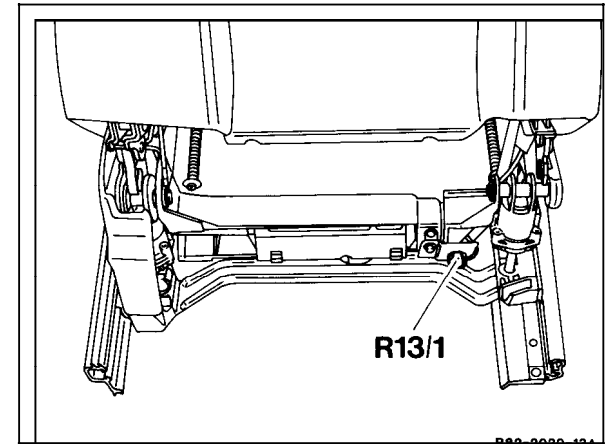
S51/1 Left front seat heater switch  
 S51/2 Right front seat heater switch



P54-2060-13A

Figure 2

N25/5 Front HS control module

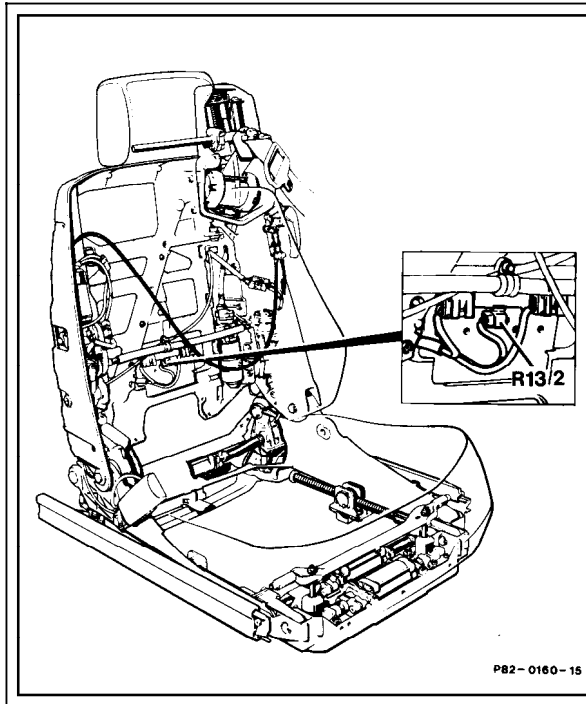


P82-2020-13A

Figure 3

R13/1 Left front seat cushion heater element

Electrical Test Program - Component Locations



P82-0160-15

Figure 4

R13/2 Left front backrest heater element