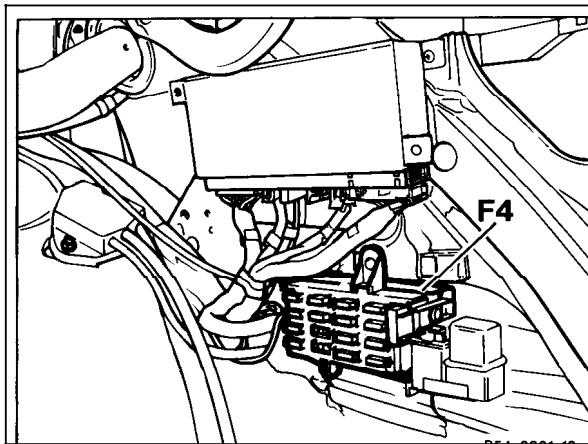


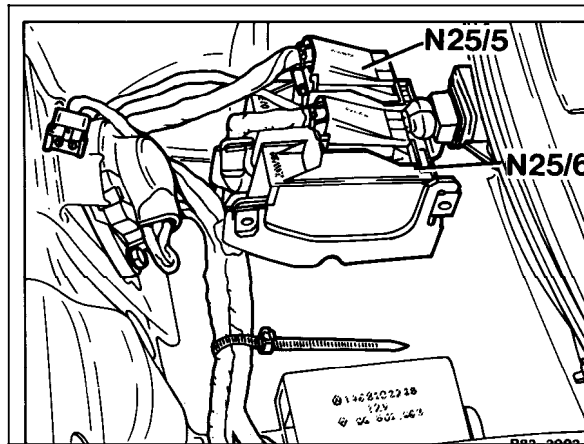
Electrical Test Program - Component Locations



P54-2801-13

Figure 1

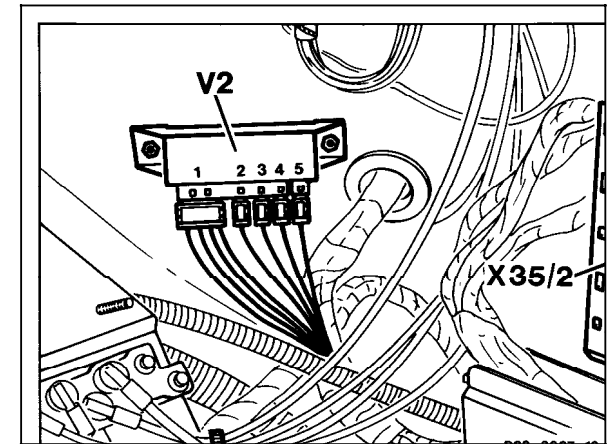
F4 Rear fuse box (17-fuse, in trunk)



P82-2992-13

Figure 2

N25/5 Front HS control module
N25/6 Rear HS control module



P82-3067-13

Figure 3

V2 Engine speed increase diode matrix

Electrical Test Program - Component Locations

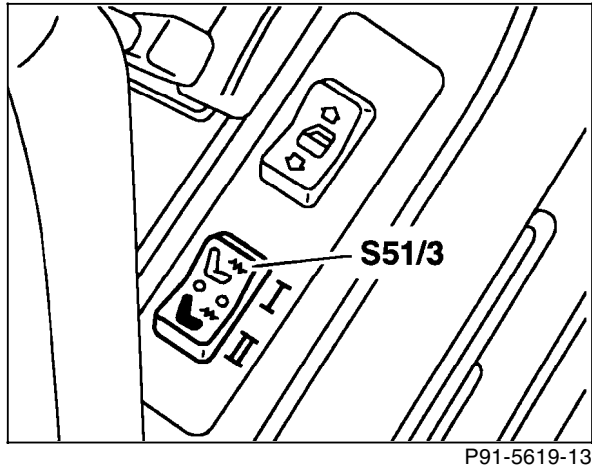


Figure 4

S51/3 Left rear seat heater switch