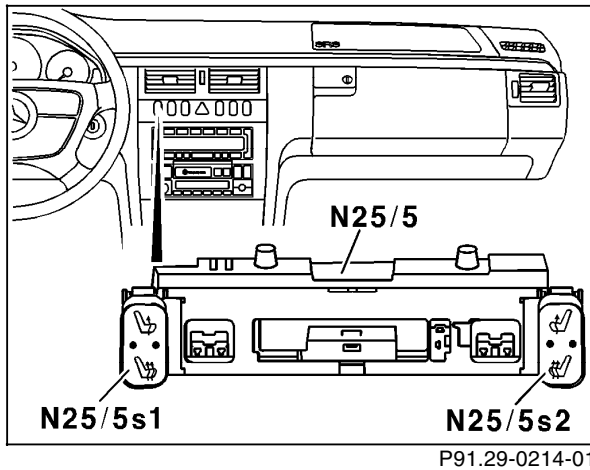


14.3a Heated seats (HS)

Models 170, 202 as of 09/95, 208, 210

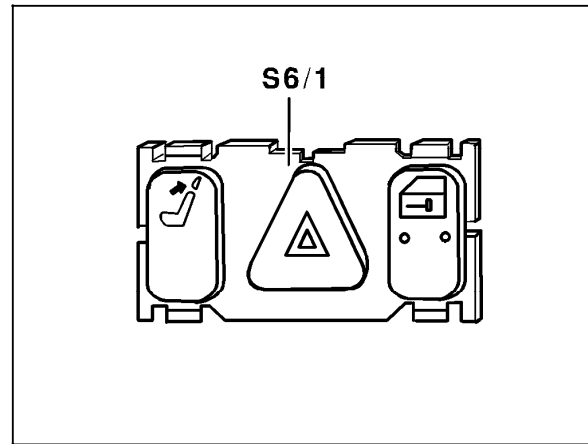
Electrical Test Program – Component Location



P91.29-0214-01

Figure 1 Models 202, 208, 210

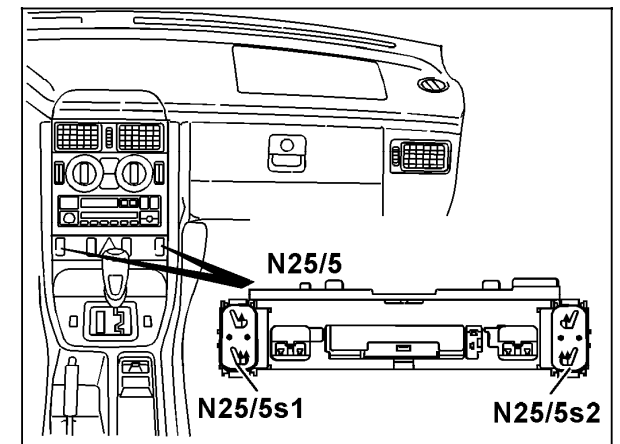
N25/5 Front HS control module
 N25/5s1 Left front HS switch
 N25/5s2 Right front HS switch



P54.25-0221-01

Figure 2

S6/1 Cockpit switch group



P91.29-0234-01

Figure 3 Model 170

N25/5 Front HS control module
 N25/5s1 Left front HS switch
 N25/5s2 Right front HS switch