

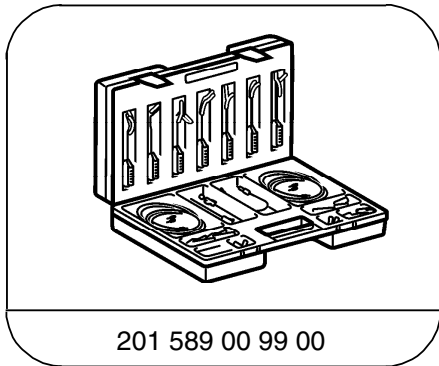
Electrical Test Program – Preparation for Test

1. Battery voltage 11–14 V.
2. Fuse F1-4, F1-8 okay.
3. During voltage measurements, the ignition key must be in position “1” or the door should be open.

Electrical wiring diagrams:

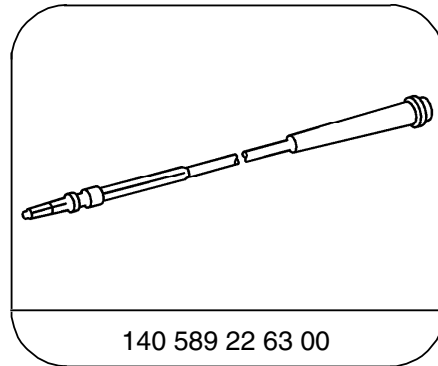
Electrical Troubleshooting Manual, Model 129

Special Tools



201 589 00 99 00

Electrical connecting set



140 589 22 63 00

Adapter cable

Equipment

Digital multimeter ¹⁾

Fluke model 23 with 80i-410 current probe
Sun DMM-5

¹⁾ Available through the MBUSA Standard Equipment Program.