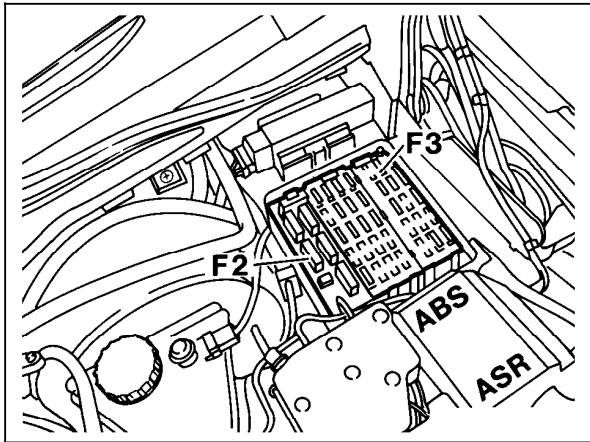


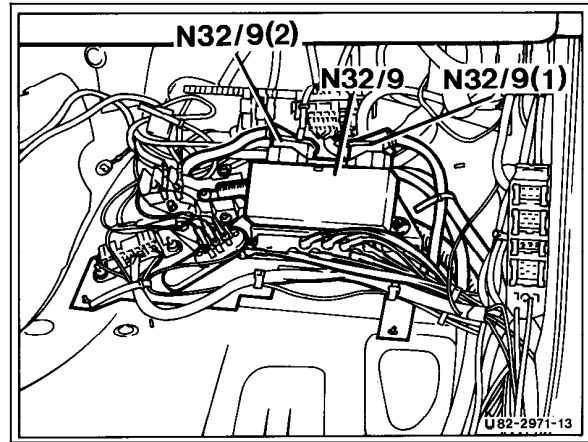
Electrical Test Program – Component Locations



P54-2806-13

Figure 1

F3 Fuse box

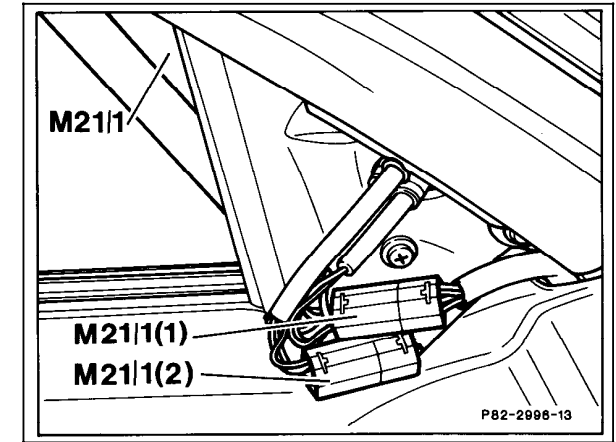


U82-2971-13

Figure 2

N32/9 Electrical mirror/steering column adjustment control module

- (1) Connector 1
- (2) Connector 2



P82-2996-13

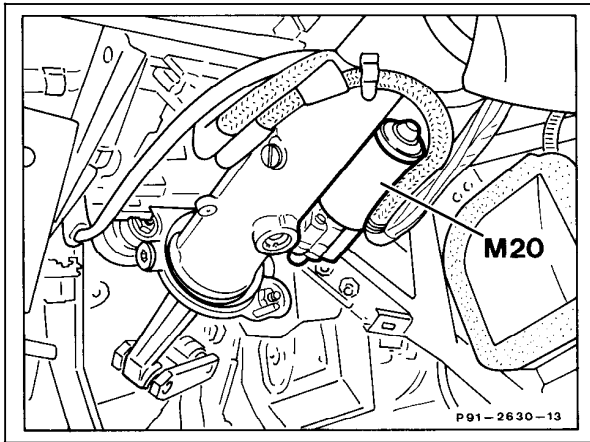
P82-2996-13

Figure 3

M21/1 Electrically adjustable and heated driver's side outside rearview mirror

- (1) Connector 1
- (2) Connector 2

Electrical Test Program – Component Locations



P91-2630-13

Figure 4

M20 Adjustable steering column motor