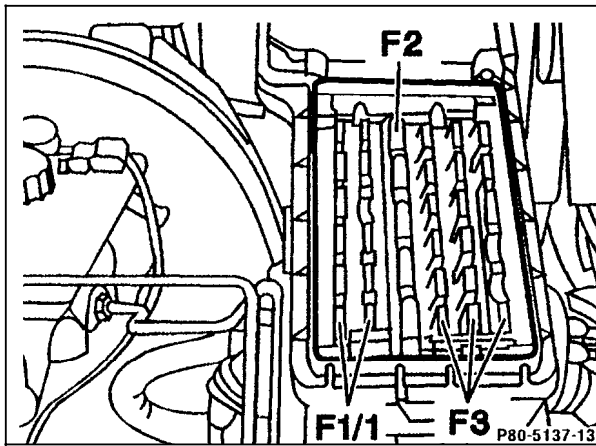


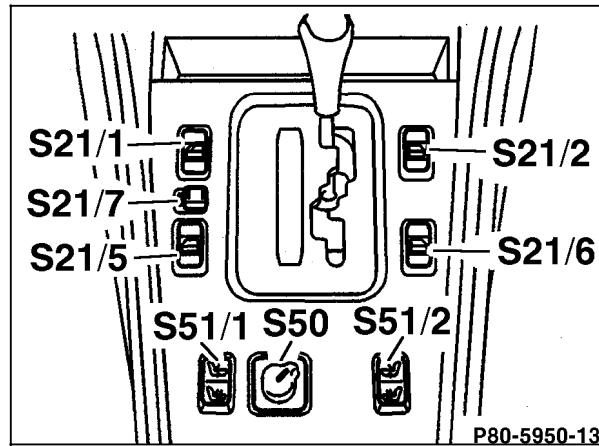
Electrical Test Program - Component Locations



P80-5137-13

Figure 1

F3 Fuse box (18-fuse, in fuse and relay box F1)



P80-5950-13
P82-5950-13

Figure 2

S50 Outside mirror control switch