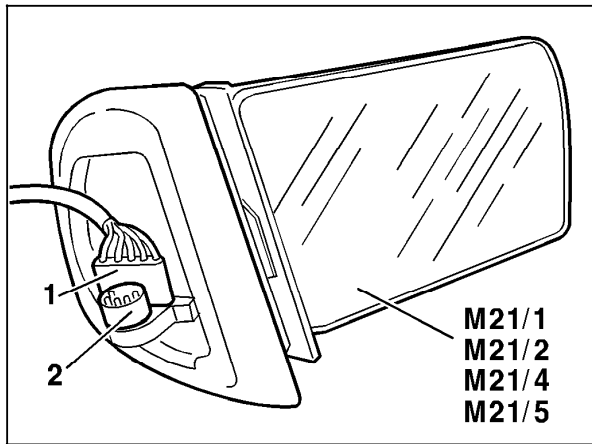
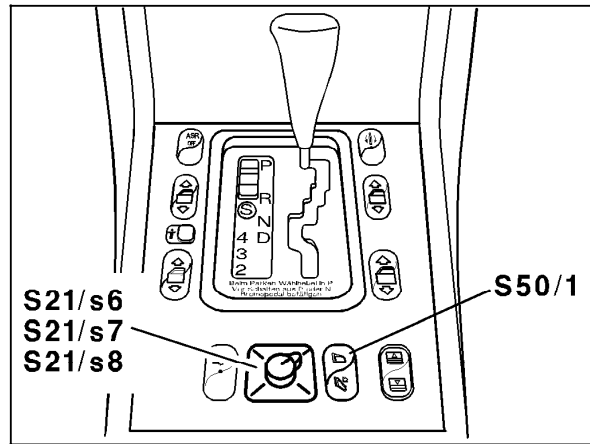


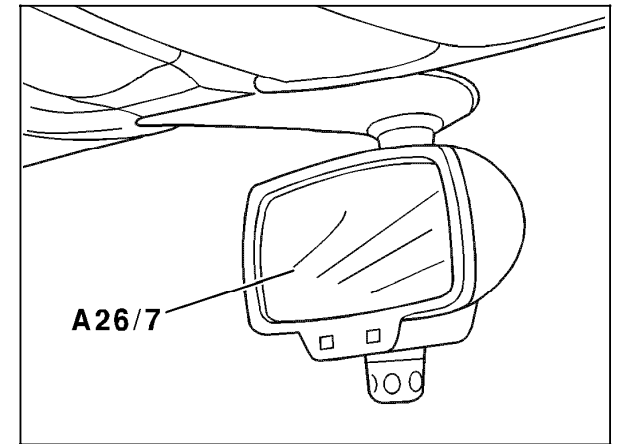
## Electrical Test Program – Component Location



P88.79-0215-01



P88.79-0214-01



P68.40-0200-01

Figure 1

- M21/4 Electrically adjustable and heated driver-side outside rearview mirror
- M21/5 Electrically adjustable and heated front passenger outside rearview mirror
- 1 Electrical adjustment, mirror heating connector 1
- 2 Electrical adjustment, mirror heating connector 2

Figure 2

- S21s6 Outside rearview mirror-vertical adjustment
- S21s7 Outside rearview mirror-horizontal adjustment
- S21s8 Outside rearview mirror-left/right

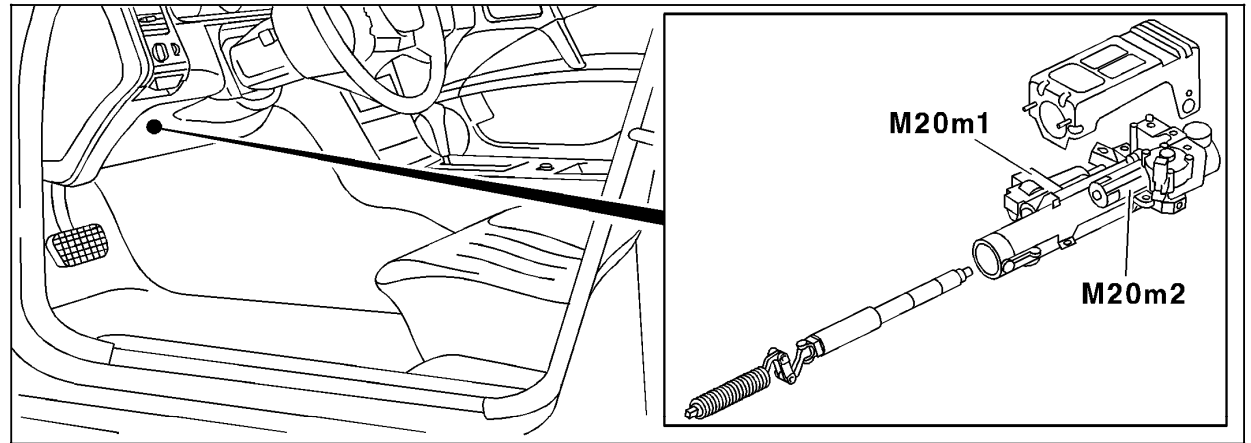
Figure 3

- A26/7 RCL receiver (interior rearview mirror)

Electrical Test Program – Components Location

Figure 4

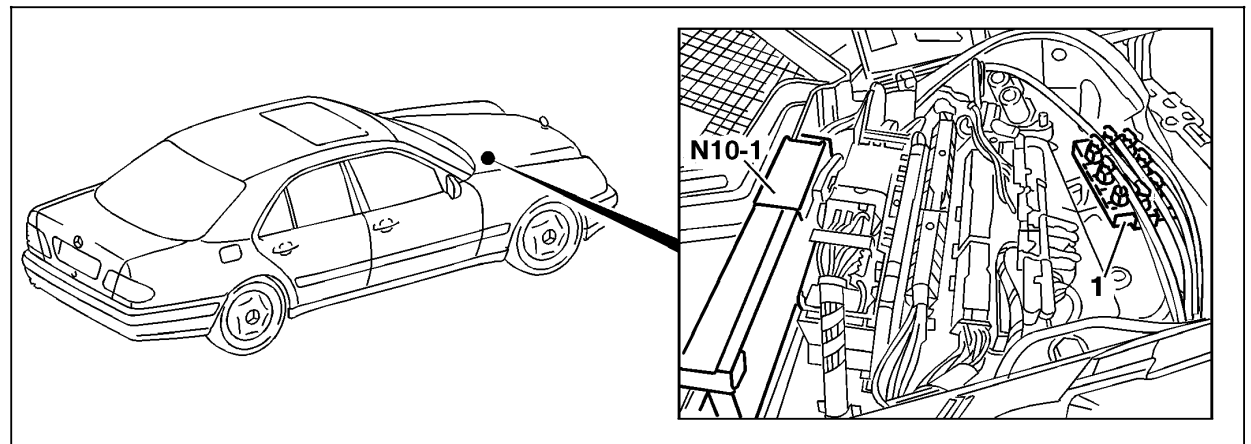
- M20m1 Telescopic adjustment motor (in/out)
- M20m2 Tilt adjustment motor (up/down)



P91.29-0233-04

Figure 5

- N10-1 Combination control module

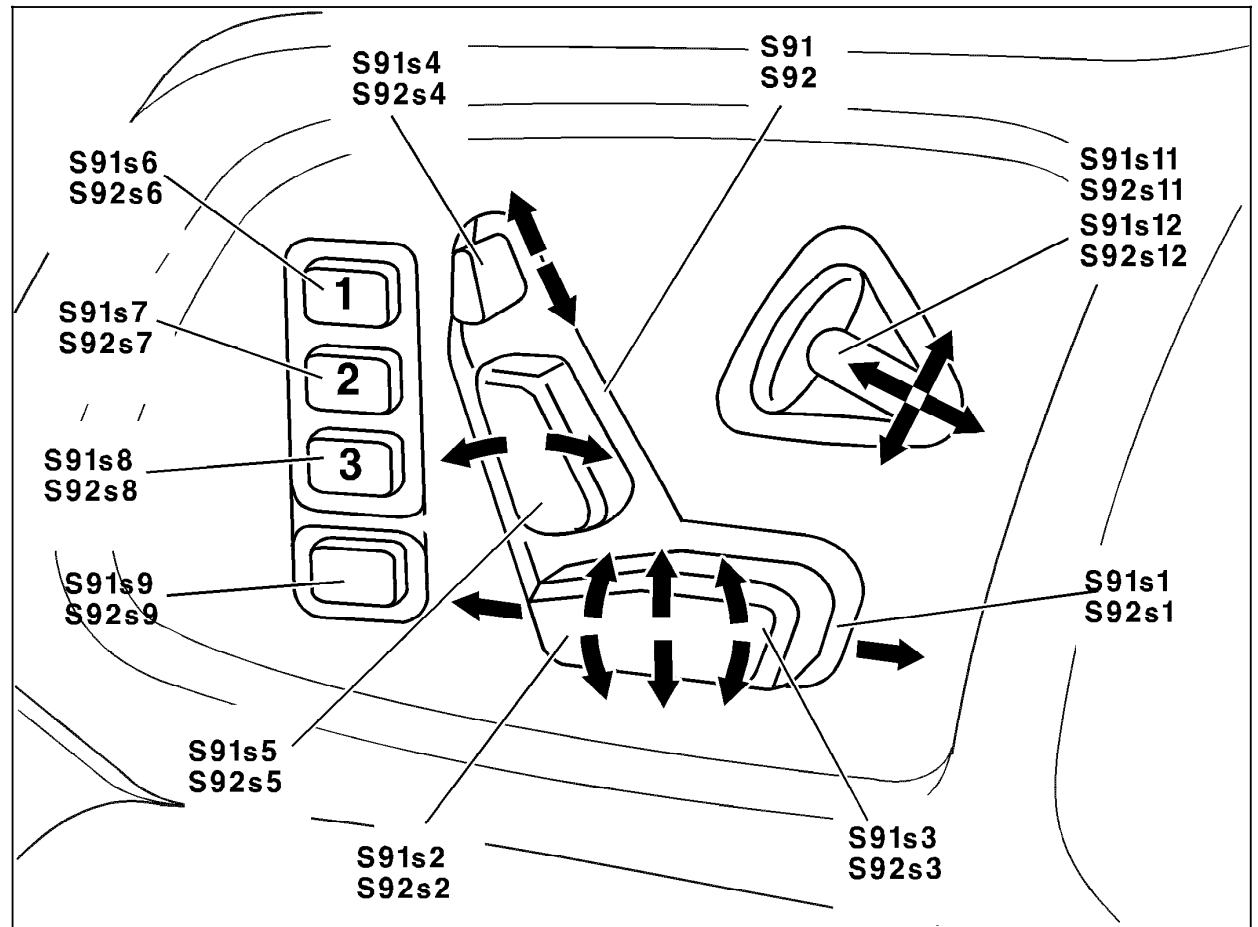


U54.21-0202-04

Electrical Test Program – Component Locations

Figure 6

- S91 Left front ESA switch group
- S91s1 Fore/aft switch
- S91s2 Rear raise/lower switch
- S91s3 Front raise/lower switch
- S91s4 Head restraint raise/lower switch
- S91s5 Backrest fore/aft switch
- S91s6 Memory button 1 switch
- S91s7 Memory button 2 switch
- S91s8 Memory button 3 switch
- S91s9 Memory store button switch
- S91s11 Steering coulumn up/down switch
- S91s12 Steering column in/out switch
- S92 Right ESA switch group
- S92s1 Fore/aft switch
- S92s2 Rear raise/lower switch
- S92s3 Front raise/lower switch
- S92s4 Head restraint raise/lower switch
- S92s5 Backrest fore/aft switch
- S92s6 Memory button 1 switch
- S92s7 Memory button 2 switch
- S92s8 Memory button 3 switch
- S92s9 Memory store button
- S92s11 Steering column up/down switch
- S92s12 Steering coulumn in/out switch



P91.29-0230-06