

## 12.7 Mirror, Steering Column Adjustment, Heated Mirrors (MSC) Models 202, 208, 210 as of M.Y. 1998

### Electrical Test Program – Connection of Components

#### Electric Steering Column Adjustment (ESC) Model 210 only

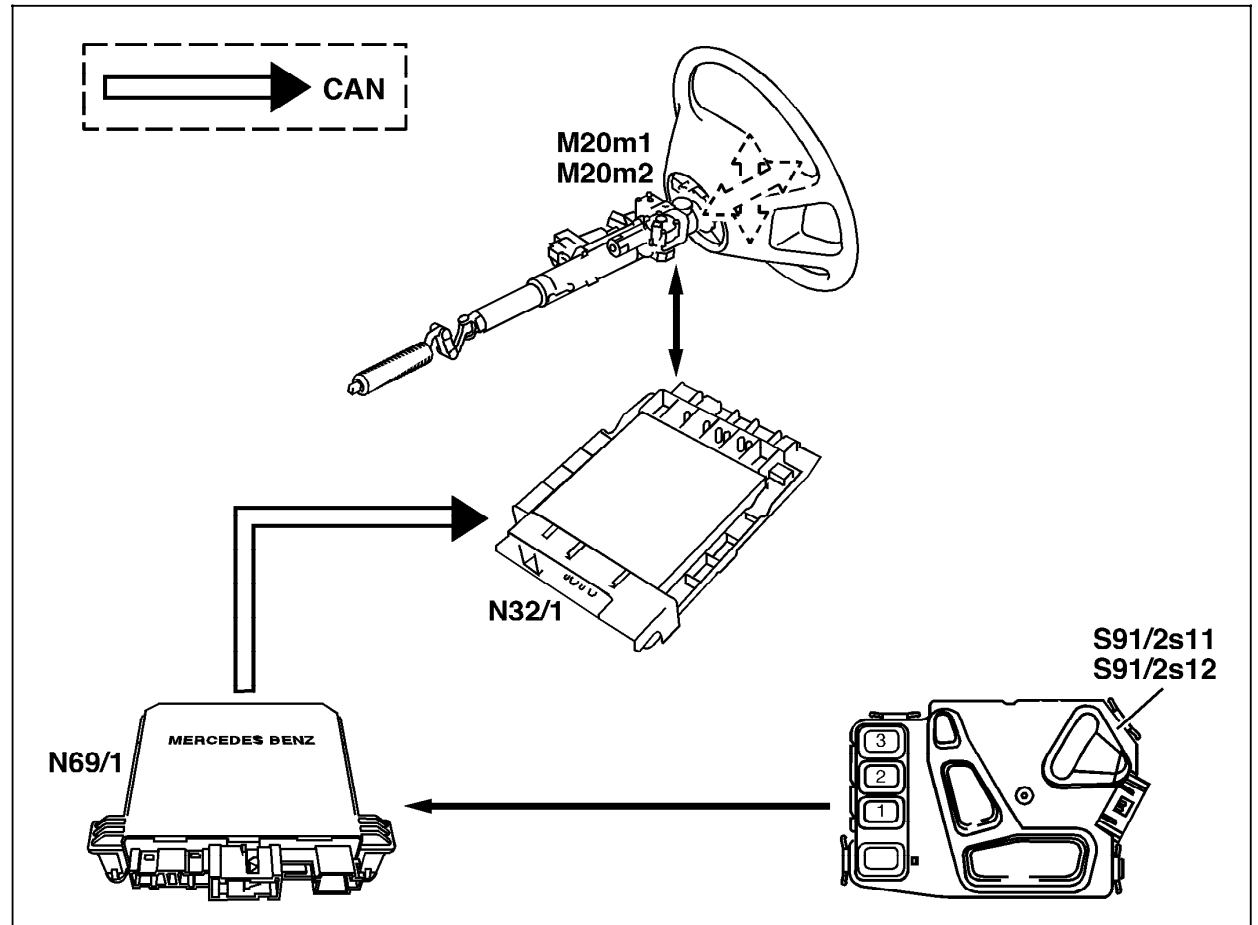


Figure 1

CAN	Control-Area-Network
M20m1	Telescopic adjustment motor (in/out)
M20m2	Tilt adjustment motor (up/down)
N32/1	Left front ESA control module (with memory)
N69/1	Combination control module
S91/2s11	Steering column up/down switch
S91/2s12	Steering column in/out switch

P46.15-0210-06

# 12.7 Mirror, Steering Column Adjustment, Heated Mirrors (MSC) Models 202, 208, 210 as of M.Y. 1998

## Electrical Test Program – Connection of Components

Mirror Memory  
Model 208 shown

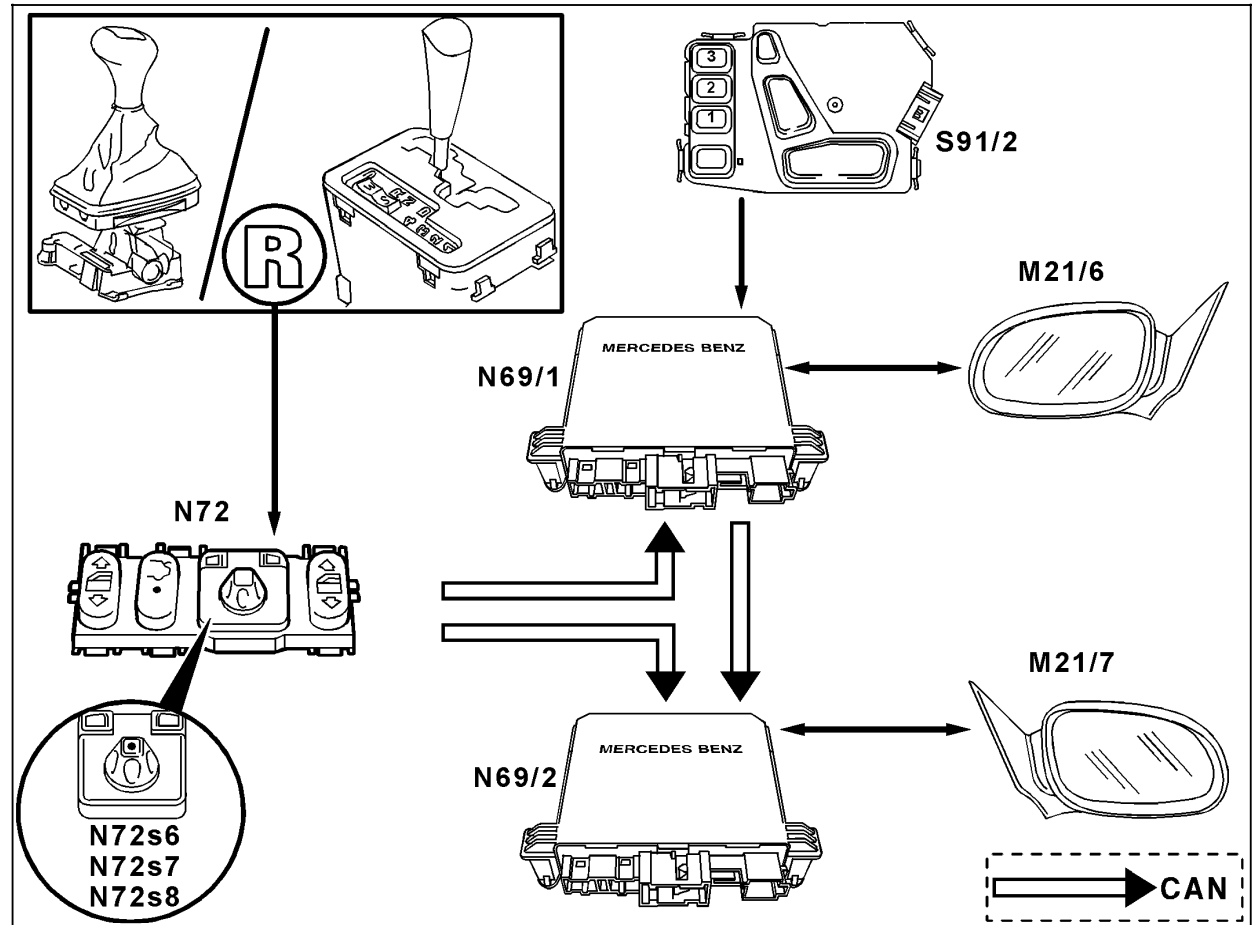


Figure 2

- CAN Control-Area-Network
- M21/6 Left outside rearview mirror
- M21/7 Right outside rearview mirror
- N69/1 Front driver-side door control module
- N69/2 Passenger-side door control module
- N72 Lower control field control module
- N72s6 Outside rearview mirror-vertical adjustment
- N72s7 Outside rearview mirror-horizontal adjustment
- N72s8 Outside rearview mirror-left/right
- R Reverse gear engagement recognition
- S91/2 Left front door ESA switch group (with memory)

P88.79-0244-06

Electrical Test Program – Connection of Components

Interior/outside Mirror Dimming (driverside)  
Model 210 shown

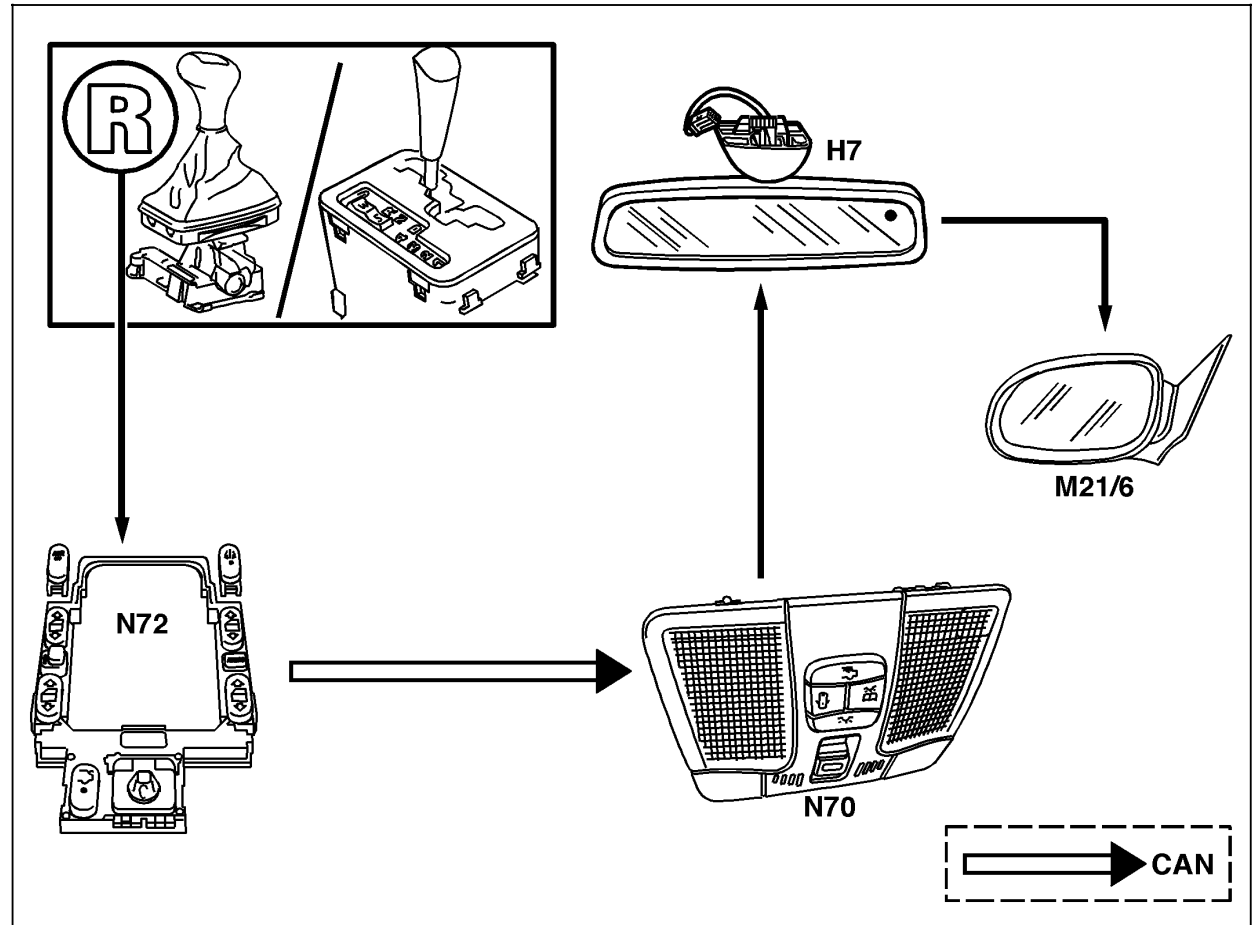


Figure 3

- CAN Control-Area-Network
- H7 Electronic mirror dimming
- M21/6 Left outside rearview mirror
- N70 Roof control panel control module
- N72 Lower control field control module
- R Reverse gear engagement recognition

P68.49-0202-06

# 12.7 Mirror, Steering Column Adjustment, Heated Mirrors (MSC) Models 202, 208, 210 as of M.Y. 1998

## Electrical Test Program – Connection of Components

### Mirror Heating

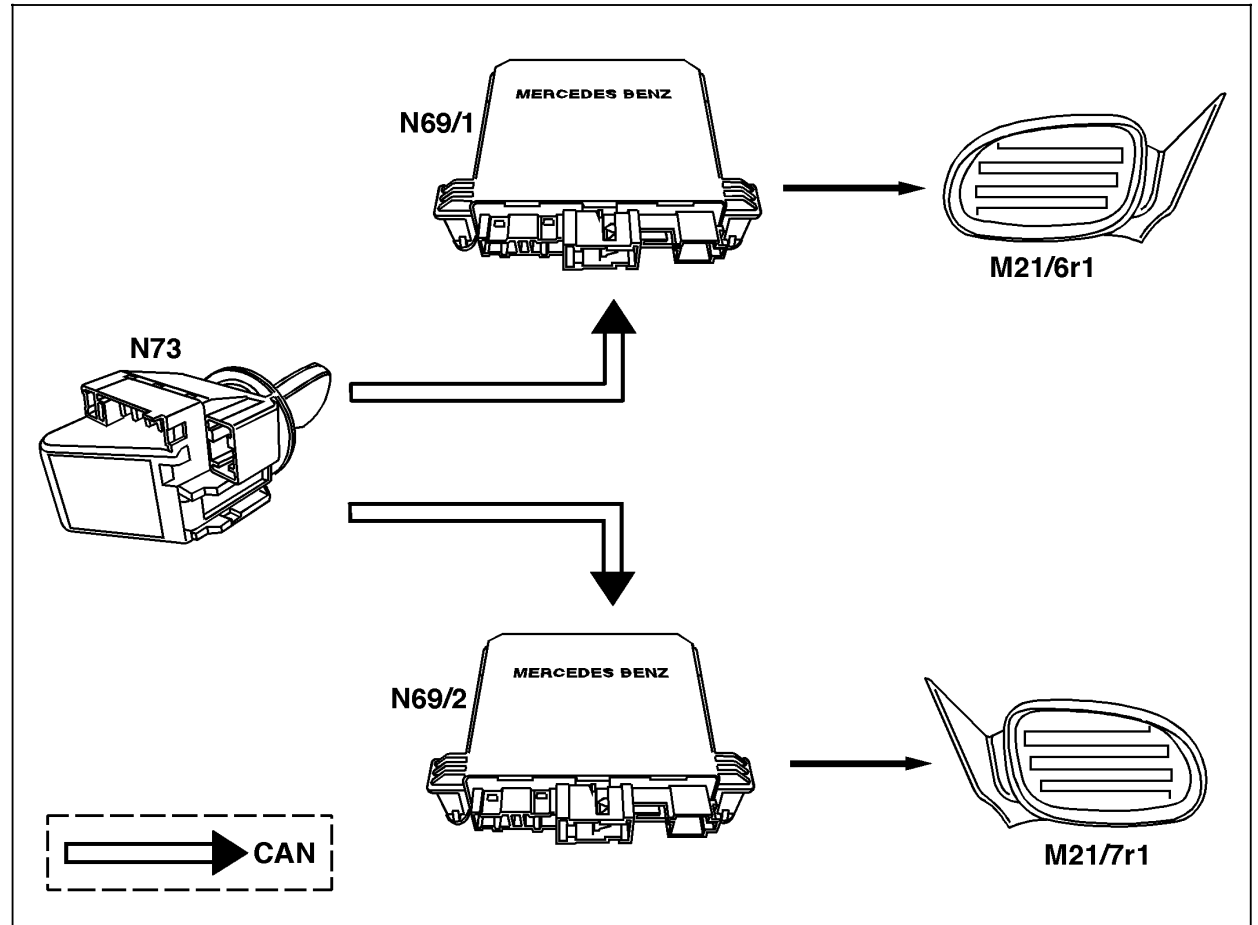


Figure 4

- CAN Control-Area-Network
- M21/6r1 Mirror heater
- M21/7r2 Mirror heater
- N69/1 Front driver-side door control module
- N69/2 Passenger-side door control module
- N73 Electronic ignition lock control module

P88.70-0236-06