

### Electrical Test Program – Preparation for Test

Preliminary work:

Diagnosis - Diagnostic Trouble Code (DTC) Memory ..... 12

#### Preparation for Test:

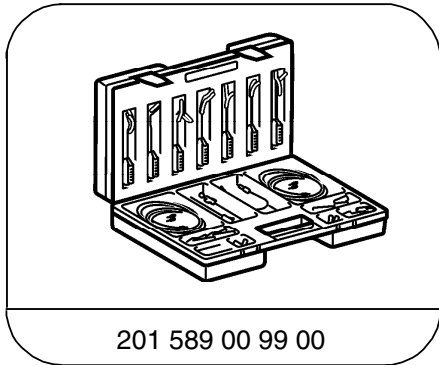
1. Review 20, 22 and last page of 23
2. Review section 5.5 (CF), 21 in WIS, for connector layout for center console switch group (S21).
3. Fuses OK.
4. Battery voltage 11 – 14 V
5. Convenience feature (CF) is functional, if not see GF72.29-P-2002GH

Electrical wiring diagrams:

Electrical Troubleshooting Manual, Model 163, (via WIS only)

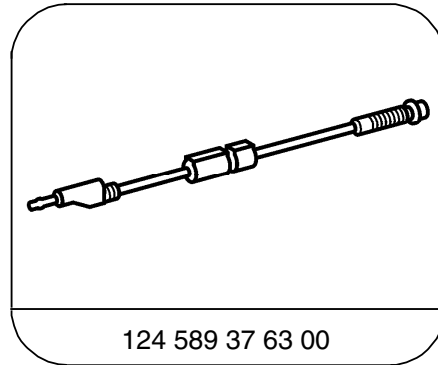
Electrical Test Program – Preparation for Test

Special Tools



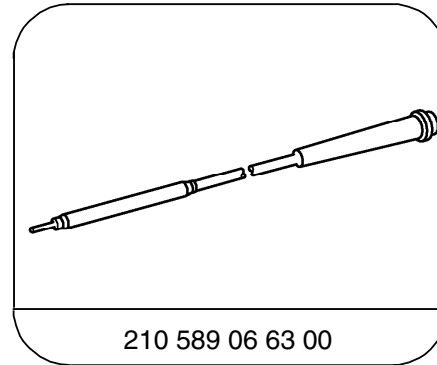
201 589 00 99 00

Electrical connecting set



124 589 37 63 00

Fused cable



210 589 06 63 00

Adapter cable

Test equipment; See MBUSA Standard Service Equipment Program

Description	Brand, model, etc.
Digital multimeter	Fluke models 23, 77 III, 83, 85, 87