
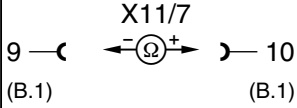
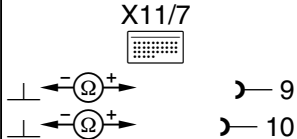
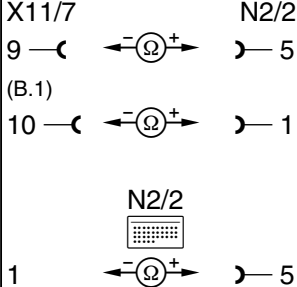


Electrical Test Program - Test (ETR's)

 This test has no DTC's.

This test is necessary:

- after an accident.
- if the seat belt/ETR is replaced.
- if no fault is found even though DTC 3 and/or 4 is displayed.
- if the seat(s) are removed/reinstalled.

Test step DTC	Test scope	Test connection	Test condition	Nominal value	Possible cause/Remedy
⇒ 1.0	Left front ETR squib (R12/1)		Ignition: OFF Disconnect and cover battery negative terminal. Disconnect ETR test connection (X11/7).	2–5 Ω	< 2 Ω short circuit, > 5 Ω ETR deployed or open circuit.
⇒ 1.1	Isolation resistance			> 20 kΩ	Short to circuit 31, If the nominal values are obtained, but DTC 3 and/or 4 can not be erased ⇒ 1.2
⇒ 1.2	Wiring		Disconnect control module (N2/2) connector.	< 1 Ω > 20 kΩ	Wiring. Short circuit.

Electrical Test Program - Test (ETR's)

Test step DTC	Test scope	Test connection	Test condition	Nominal value	Possible cause/Remedy
⇒ 2.0	Right front ETR squib (R12/2)		Ignition: OFF Disconnect and cover battery negative terminal. Disconnect ETR test connection (X11/7).	2–5 Ω	< 2 Ω short circuit, > 5 Ω ETR deployed or open circuit.
⇒ 2.1	Isolation resistance			> 20 kΩ	Short to circuit 31, If the nominal values are obtained, but DTC 3 and/or 4 can not be erased ⇒ 2.2
⇒ 2.2	Wiring		Disconnect control module (N2/2) connector.	< 1 Ω > 20 kΩ	Wiring. Short circuit.