

## 17.1 Emergency Tensioning Retractor

Model 129

### Electrical test program Testing

Test step Impulse readout	Scope of test	Test equipment/ test connection	Test condition	Nominal value	Possible cause/remedy
⇒ 1.0	<b>Left emergency tensioning retractor (ETR) squib (R12/1) and right emergency tensioning retractor (ETR) squib (R12/2) with wiring</b>		Ignition: <b>OFF</b>	1.0–1.7 Ω	R12/1 and/or R12/2 not connected. Connector open circuit Connector, ETR/left seat plug connection (2-pole) (X28/8 and/or X28/9) has bad connection. Wiring.
⇒ 2.0	<b>Left emergency tensioning retractor (ETR) squib (R12/1) with wiring</b>		Ignition: <b>OFF</b> Disconnect connector from ETR control unit (N2/1).	2–5 Ω	Connector, ETR/left seat plug connection (2-pole) (X28/8) has a bad connection. Wiring, Replace seat belt tensioner (RA 91-502).
⇒ 2.1	Left emergency tensioning retractor (ETR) squib (R12/1) with wiring		Connector, ETR/left seat plug connection (2-pole) (X28/8) disconnected.	2–5 Ω	Wiring, Replace seat belt tensioner (RA 91-502).

## 17.1 Emergency Tensioning Retractor

Model 129

### Electrical test program      Testing

Test step Impulse readout	Scope of test	Test equipment/ test connection	Test condition	Nominal value	Possible cause/remedy
⇒ 3.0	<b>Right front emergency tensioning retractor (ETR) squib (R12/2) with wiring</b>		Ignition: <b>OFF</b> Connector unplugged from ETR control unit (N2/1).	2–5 Ω	Connector, ETR/right seat plug connection (2-pole) (X28/9) has bad contact. Wiring, Replace seat belt tensioner (RA 91-502).
⇒ 3.1	Right front emergency tensioning retractor (ETR) squib (R12/2) with wiring		Connector, ETR/right seat plug connection (2-pole) (X28/9) unplugged.	2–5 Ω	Wiring, Replace seat belt tensioner (RA 91-502).

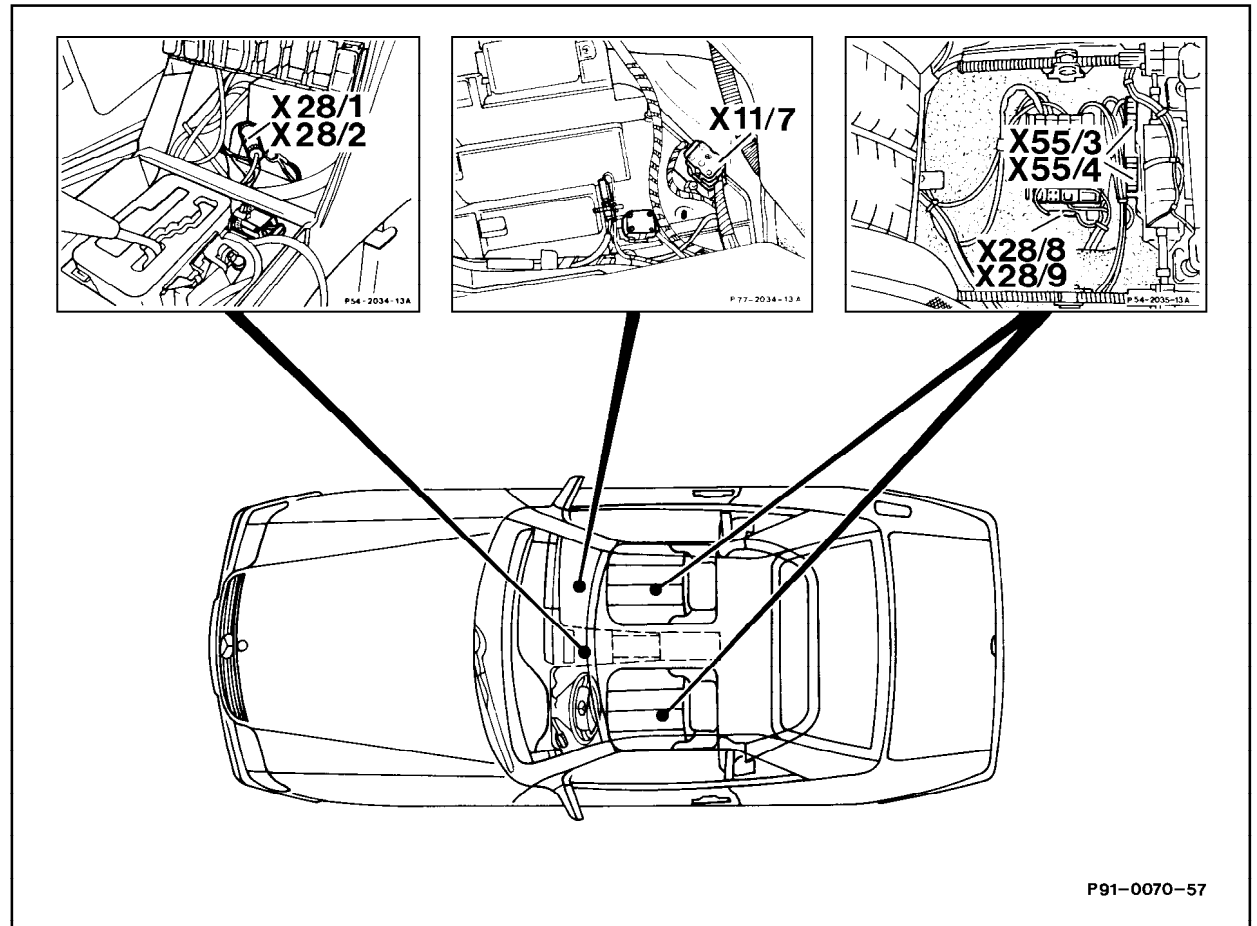


Figure 1

- X11/7 Test connection, ETR (4-pole)
- X28/1 Connector, ETR voltage supply (2-pole)
- X28/8 Connector, ETR/left seat plug connection (2-pole)
- X28/9 Connector, ETR/right seat plug connection (2-pole)

P91-0070-57

P91-0070-57