

Diagnostics Functional control **Seat belts, belt latch, belt tension reduction feature, belt height adjustment**

Component locations

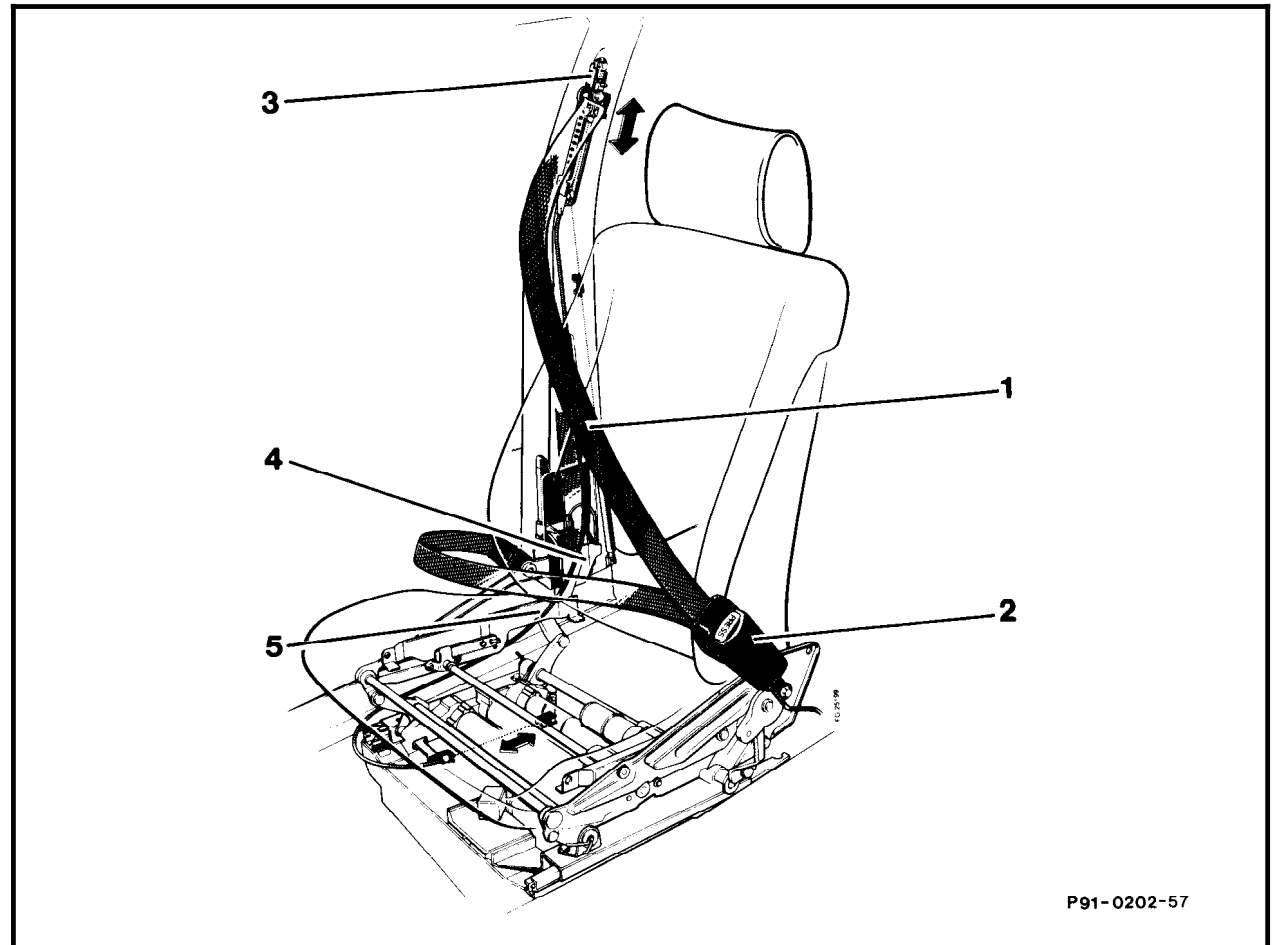


Figure 1

- 1 Seat belt
- 2 Seat belt latch
- 3 Seat belt height adjustment
- 4 Seat belt automatic reel
- 5 Cable (Seat belt height adjustment)

P91-0202-57

P91-0202-57

Diagnostics Functional control Seat belts, belt latch, belt tension reduction feature, belt height adjustment

Conduct the mechanical and electrical functional tests of the seat belt tensioner:

- After an accident
- After deployment of the seat belt tensioner
- After replacement of the seat belt tensioner

Testing the seat belt tension reduction feature and the seat belt height adjustment is also described in this chapter on seat belt tensioner (ETR).

17.2 Emergency Tensioning Retractor

Model 140

Diagnostics Functional control Seat belts, belt latch, belt tension reduction feature, belt height adjustment

Test step/scope of test	Test condition	Nominal value	Possible cause/remedy
⇒ 1 Testing the free movement of the seat belts and the seat belt automatic reels (Driver, front passenger, rear seats ¹⁾	Pull the seat belt outward (figure 1, item 1) slowly and with constant force, then release.	The seat belt can be pulled out and the automatic reel pulls it back in again.	Seat belt twisted or folded. Defective automatic reel (91-0625-0630)
⇒ 2 Testing seat belt latch (Driver, front passenger, rear seats ¹⁾	Pull the seat belt (figure 1, item 1) abruptly outward.	Seat belt is locked by the automatic reel.	Defective automatic reel (91-0625-0630)
⇒ 3 Testing seat belt tension reduction feature (Driver, front passenger, rear seats ¹⁾	Turn the ignition key to position 1. Sit in the driver's and/or front passenger's seat, pull out the seat belt. Latch the seat belt. Pull the seat belt out again.	When the seat belt is pulled out the normal retraction force is applied. When the seat belt is latched there is a reduced retraction force.	Seat belt twisted or folded. Defective automatic reel (91-0625-0630) Defective seat belt latch, Defective automatic reel.
⇒ 4 Testing seat belt height adjustment Driver, front passenger	Adjust the driver and/or front passenger seat forward. Backward.	Seat belt height adjustment adjusts itself upward. Downward.	Defective seat height adjuster (91-0639)

¹⁾ Seat belt tension reduction feature in rear seat only with individual power seats or available with power seat back adjustment.