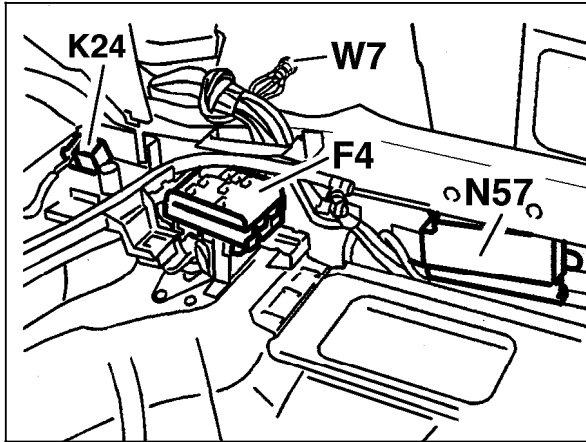


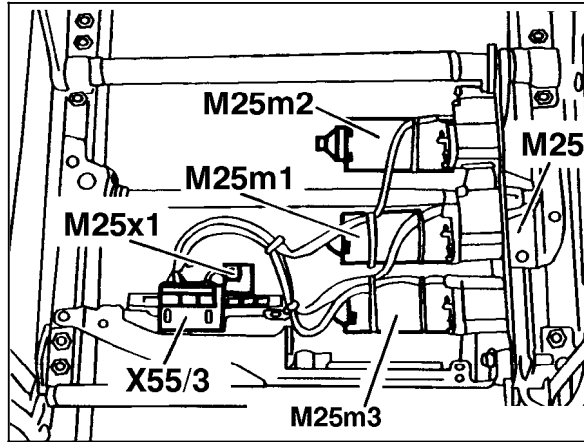
Electrical Test Program - Component Locations



P82-5949-13

Figure 1
Model 202

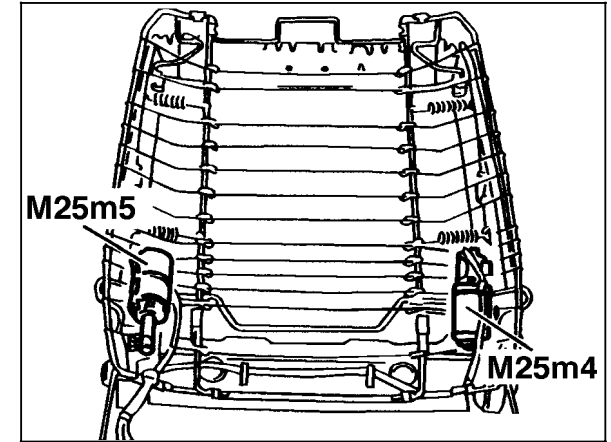
F4 Rear fuse box (19-fuse, in trunk)



P91-5550-13

Figure 2
Model 202

M25 Left front power seat motor group
 M25m1 Fore/aft motor
 M25m2 Rear raise/lower motor
 M25m3 Front raise/lower motor
 M25x1 Fore/aft motor connector
 X55/3 Left seat contact strip

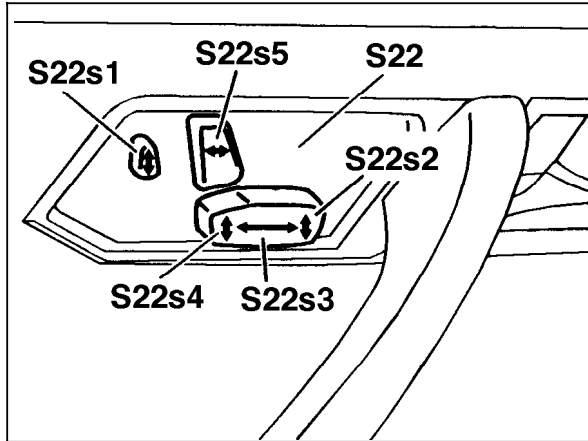


P91-5554-13

Figure 3
Model 202

M25m4 Head restraint raise/lower motor
 M25m5 Backrest fore/aft motor

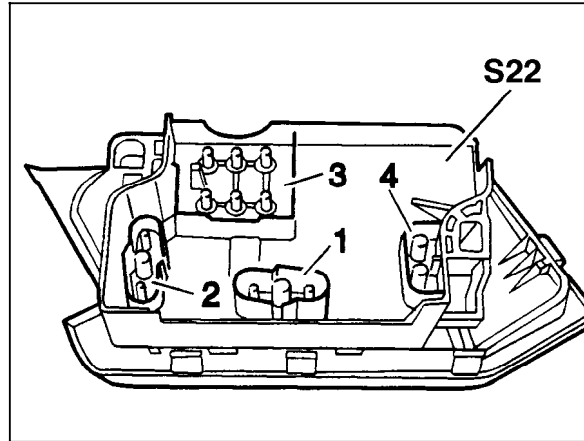
Electrical Test Program - Component Locations



P91-5549-13

Figure 4
Model 202

- S22 Left front power seat switch
- S22s1 Head restraint up/down
- S22s2 Front seat height
- S22s3 Seat fore/aft
- S22s4 Rear seat height
- S22s5 Backrest



P91-5604-13

Figure 5
Model 202

- S22 Left front power seat switch