

Electrical Test Program - Component Locations

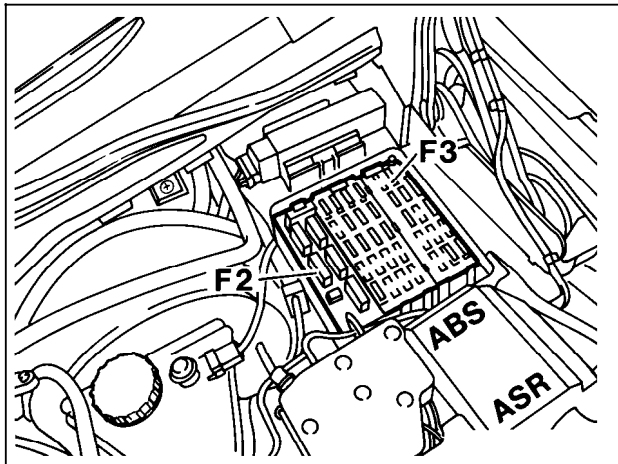


Figure 1 P54-2806-13

F3 Fuse box (35-fuse, in fuse and relay box F1)

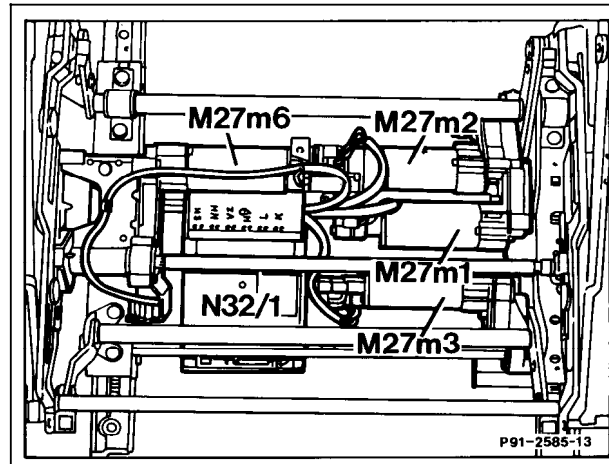


Figure 2 P91-2585-13

M27m1 Fore/aft motor
 M27m2 Rear raise/lower motor
 M27m3 Front raise/lower motor
 M27m6 Seat cushion fore/aft motor
 N32/1 Left front power seat control module (with memory)

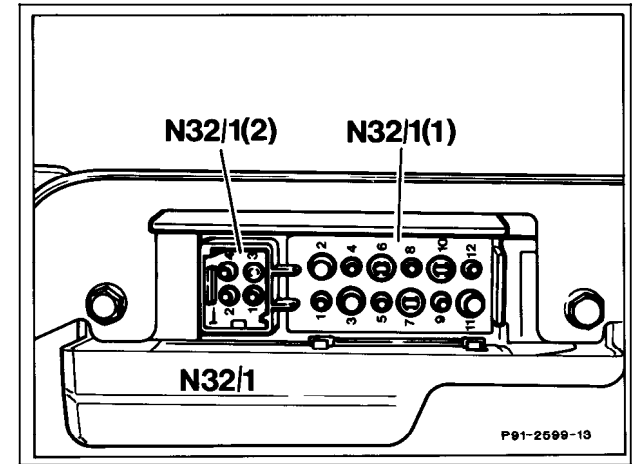


Figure 3 P91-2599-13

N32/1 Left front power seat control module (with memory)
 1 Connector
 2 Connector

Electrical Test Program - Component Locations

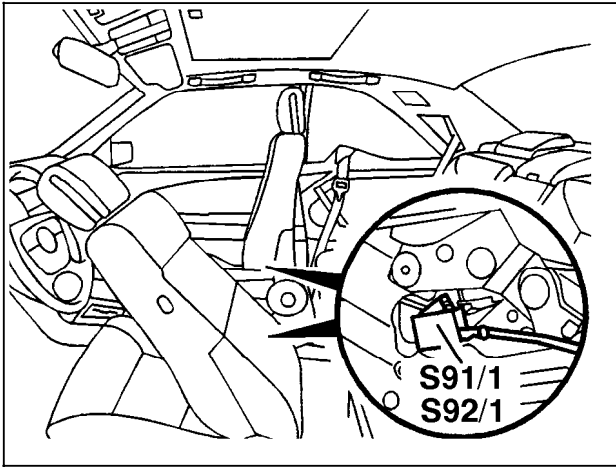


Figure 4

P91-5627-13

Coupe only (if applicable)

- S91/1 Left front seatback microswitch
- S92/1 Right front seat back microswitch