

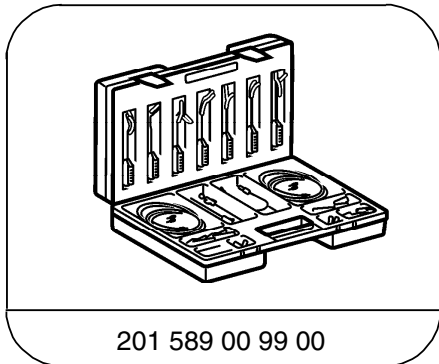
Electrical Test Program - Preparation for Test

1. Battery voltage 11–14 V.
2. Fuses F3-31 and F4-15 O.K.

Electrical wiring diagrams

Electrical Troubleshooting Manual, Model 140.

Special Tools



201 589 00 99 00

Electrical connecting set

Equipment

Digital multimeter ¹⁾

Fluke model 23 with 80i-410 current probe
Sun DMM-5

¹⁾ Available through the MBUSA Standard Equipment Program.