

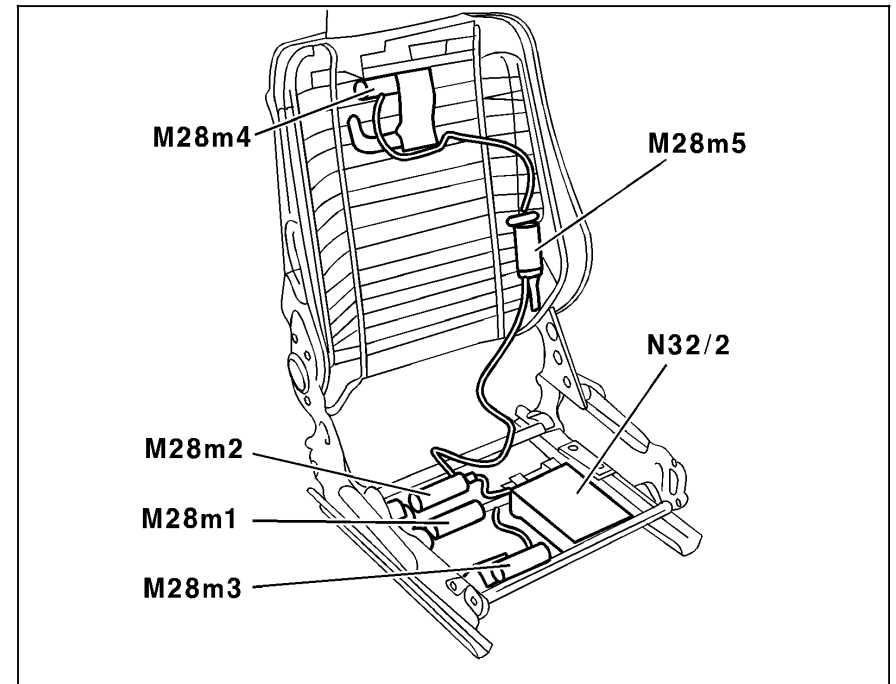
Electrical Test Program – Component Locations (Seat Adjustment with Memory)

Figure 1

- N32/2 Right front ESA control module
- M28 Right front ESA motor group (with memory)
- M28m1 Fore/aft motor
- M28m2 Rear raise/lower motor
- M28m3 Front raise/lower motor
- M28m4 Head restraint raise/lower motor
- M28m5 Backrest fore/aft motor

(No illustration, left seat adjustment layout analogue to right seat adjustment)

- N32/1 Left front ESA control module
- M27 Left front ESA motor group (with memory)
- M27m1 Fore/aft motor
- M27m2 Rear raise/lower motor
- M27m3 Front raise/lower motor
- M27m4 Head restraint raise/lower motor
- M27m5 Backrest fore/aft motor

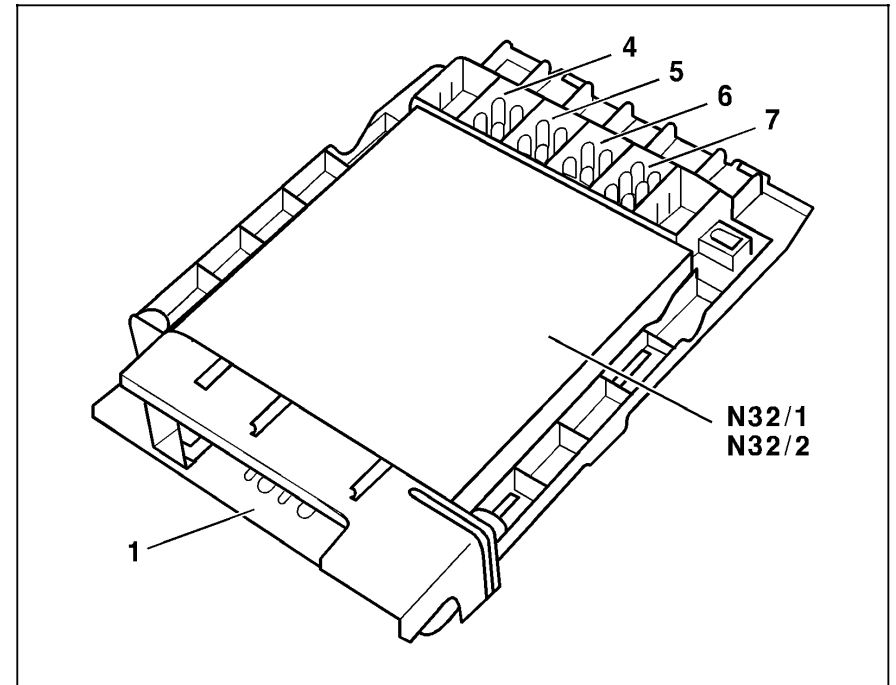


P82.00-0243-11

Electrical Test Program – Component Locations (Seat Adjustment with Memory)

Figure 2

- N32/1 Left front ESA control module
- N32/2 Right front ESA control module
- 1 Connector 1, activation of left/right ESA switch group (S91, S92) (with memory)
- 4 Connector 4, activation of rear raise/lower motor
- 5 Connector 5, activation of fore/aft motor
- 6 connector 6, activation of front raise/lower motor
- 7 Connector 7, activation of headrest raise/lower motor, backrest fore/aft motor

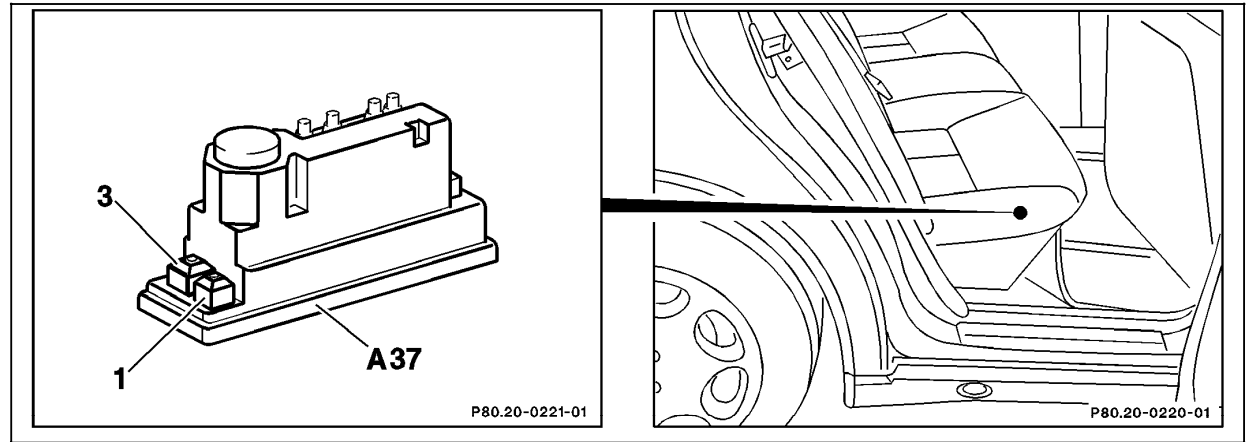


P82.00-0242-11

Electrical Test Program – Components Location (Seat Adjustment with Memory)

Figure 3

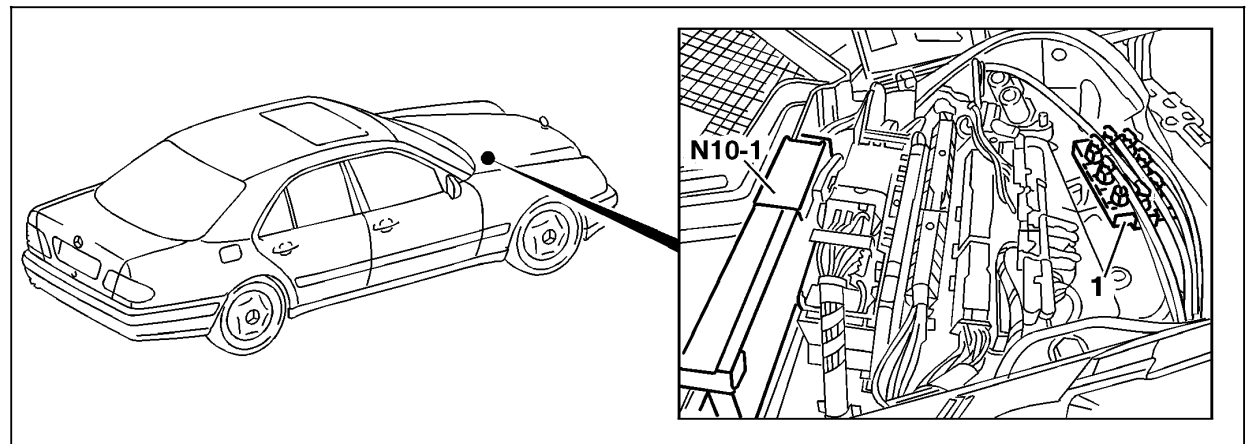
- A37 PSE control module, combined functions
- 1 Connector 1
- 3 Connector 3



P82.40-0209-04

Figure 4

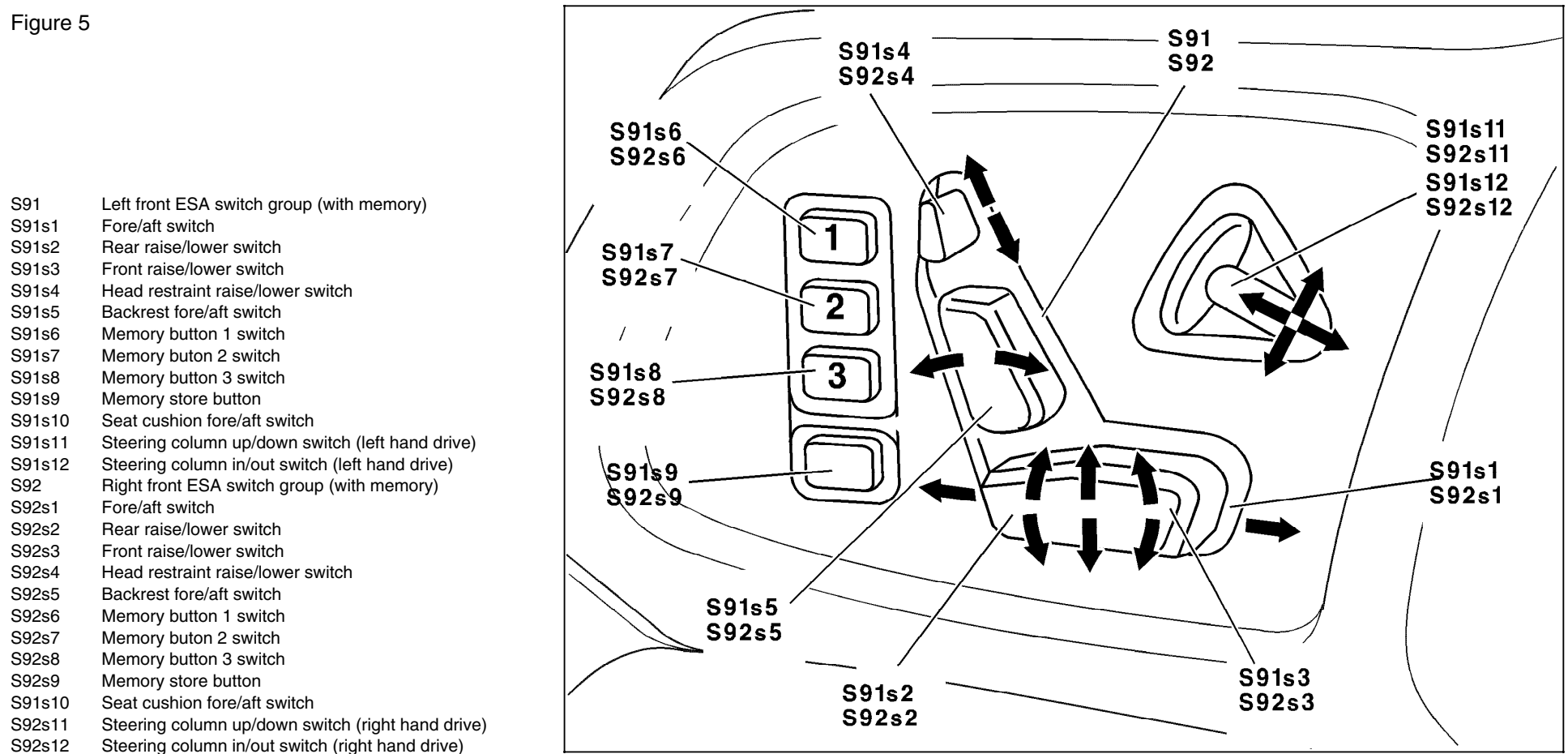
- N10-1 Combination control module



U54.21-0202-04

Electrical Test Program – Component Locations (Seat Adjustment with Memory)

Figure 5



P91.29-0230-06