

Electrical Test Program – Component Locations (Seat Adjustment with Memory)

Location of Components

(Shown on Model 210)

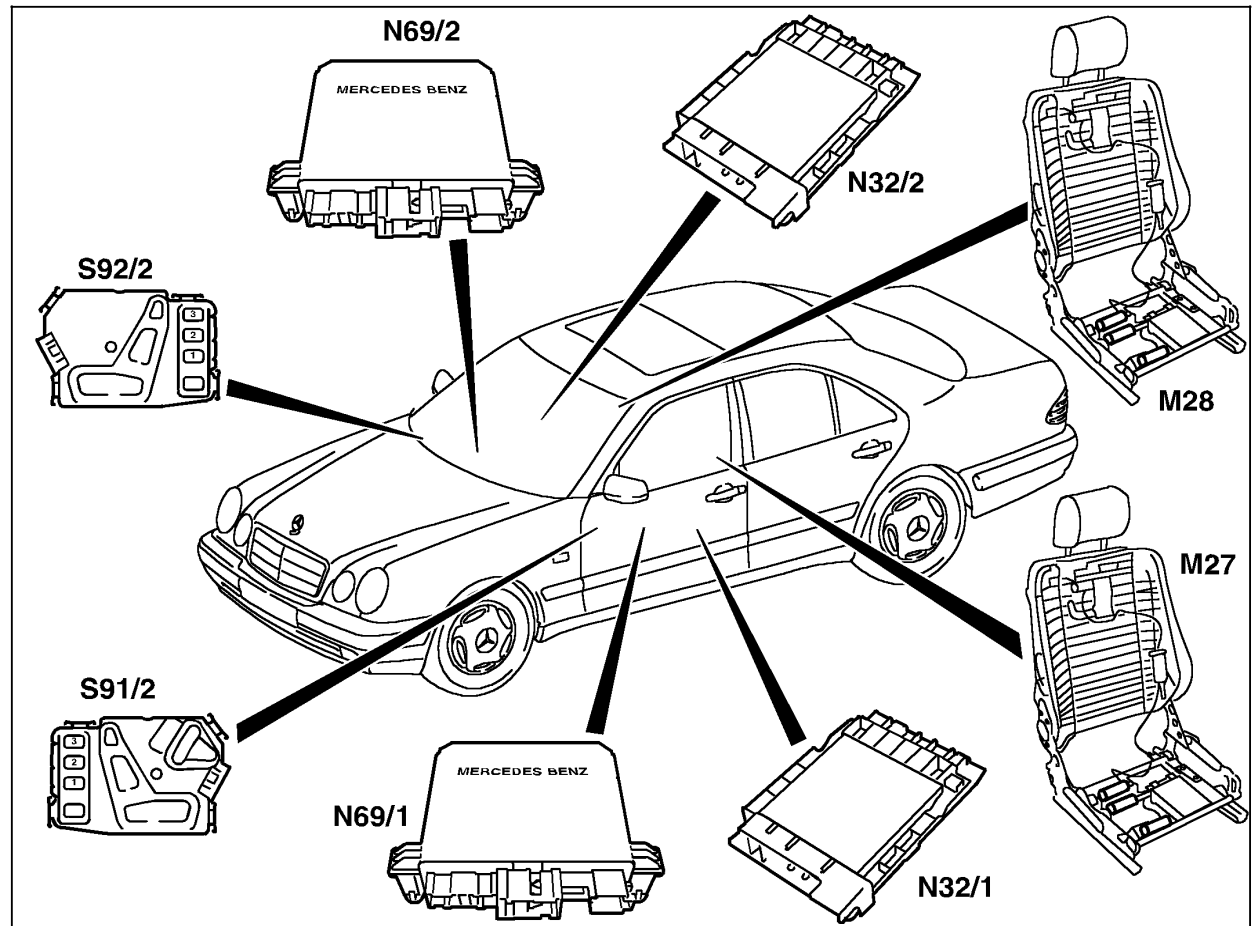


Figure 1

- M27 Left front ESA motor group (with memory)
- M28 Right front ESA motor group (with memory)
- N69/1 Front driver-side door control module
- N69/2 Front passenger-side door control module
- N32/1 Left front ESA control module (with memory)
- N32/2 Right front ESA control module (with memory)
- S91/2 Left front door ESA switch group (with memory)
- S92/2 Right front door ESA switch group (with memory)

P91.29-0270-06

Electrical Test Program – Component Locations (Seat Adjustment with Memory)

Left Front Seat
(Shown on Model 210)

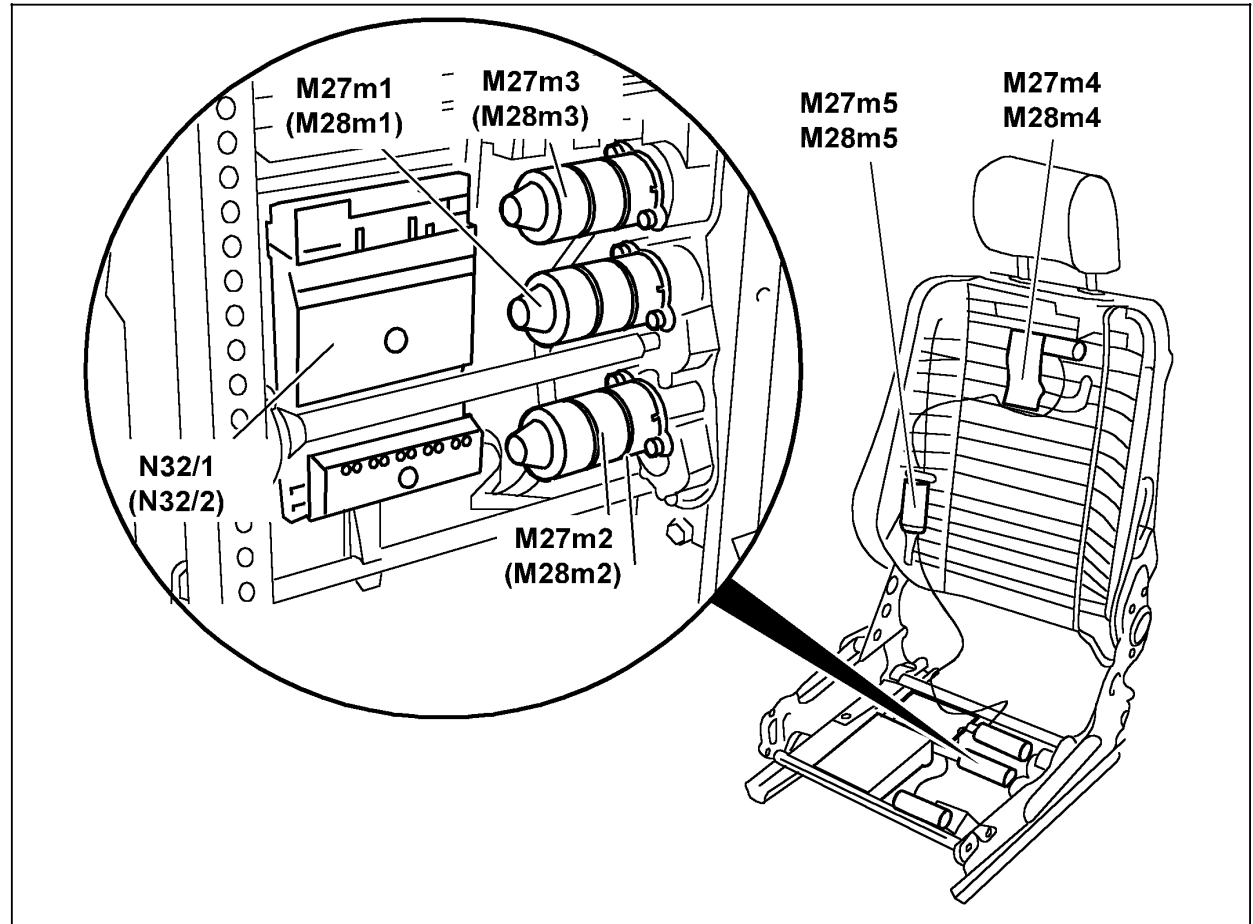


Figure 2

- M27m1 Fore/aft motor
- M28m1 Fore/aft motor
- M27m2 Rear raise/lower motor
- M28m2 Rear raise/lower motor
- M27m3 Front seat height
- M28m3 Front raise/lower motor
- M27m4 Head restraint raise/lower
- M28m4 Head restraint raise/lower motor
- M27m5 Backrest fore/aft motor
- M28m5 Backrest fore/aft motor
- N32/1 Left front ESA control module
- N32/2 Right front ESA control module

P91.29-0264-06

Electrical Test Program – Component Locations (Seat Adjustment with Memory)

Model 208 only

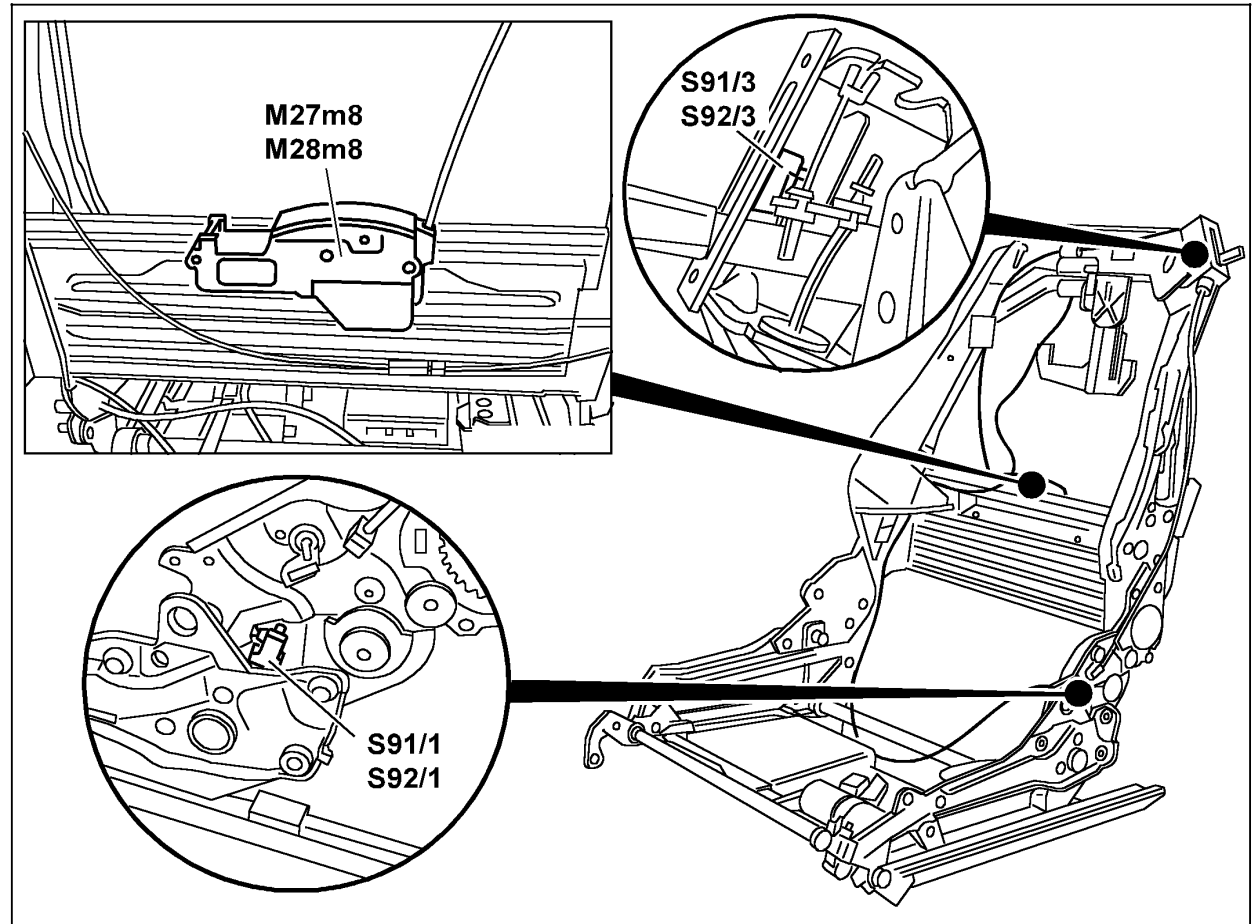


Figure 3

- M27m8 Left front ESA motor group (with memory), backrest unlocking
- M28m8 Right front ESA motor group (with memory), backrest unlocking
- S91/1 Left front seatback inclination microswitch
- S92/1 Right front seatback inclination microswitch
- S91/3 Left front seatback release microswitch
- S92/3 Right front seatback release microswitch

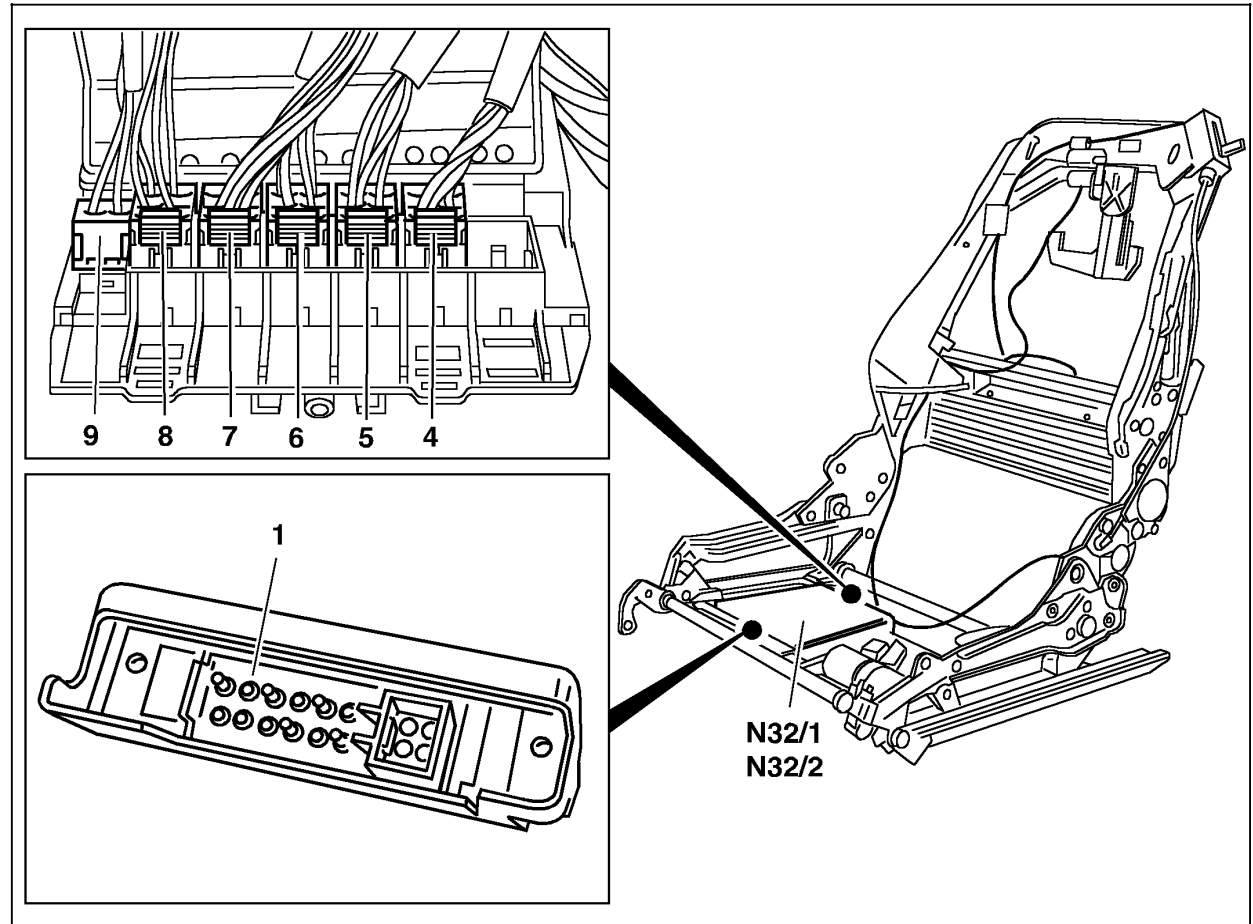
P91.29-0259-06

Electrical Test Program – Component Locations (Seat Adjustment with Memory)

Location of connectors on left/right front ESA control module (N32/1, N32/2)

Figure 4

- 1 Left/right front door ESA switch group (S91/2, S92/2) connector
- 4 Left/right rear raise/lower motor (M27m2, M28m2) connector
- 5 Left/right rear fore/aft motor (M27m1, M28m1) connector
- 6 Left/right front raise/lower motor (M27m3, M28m3) connector
- 7 Left/right backrest fore/aft motor (M27m5, M28m5) and left/right head restraint raise/lower motor (M27m4, M28m4) connector
- 8 Left/right seatback release microswitch (S91/3, S92/3) and left/right hibernation microswitch (S91/1s2, S92/1s2) (as of 6/98) connector
- 9 Left/right inclination microswitch (S91/1s1, S92/1s1) connector (Model 208 only)
- N32/1 Left front ESA control module (with memory)
- N32/2 Right front ESA control module (with memory)



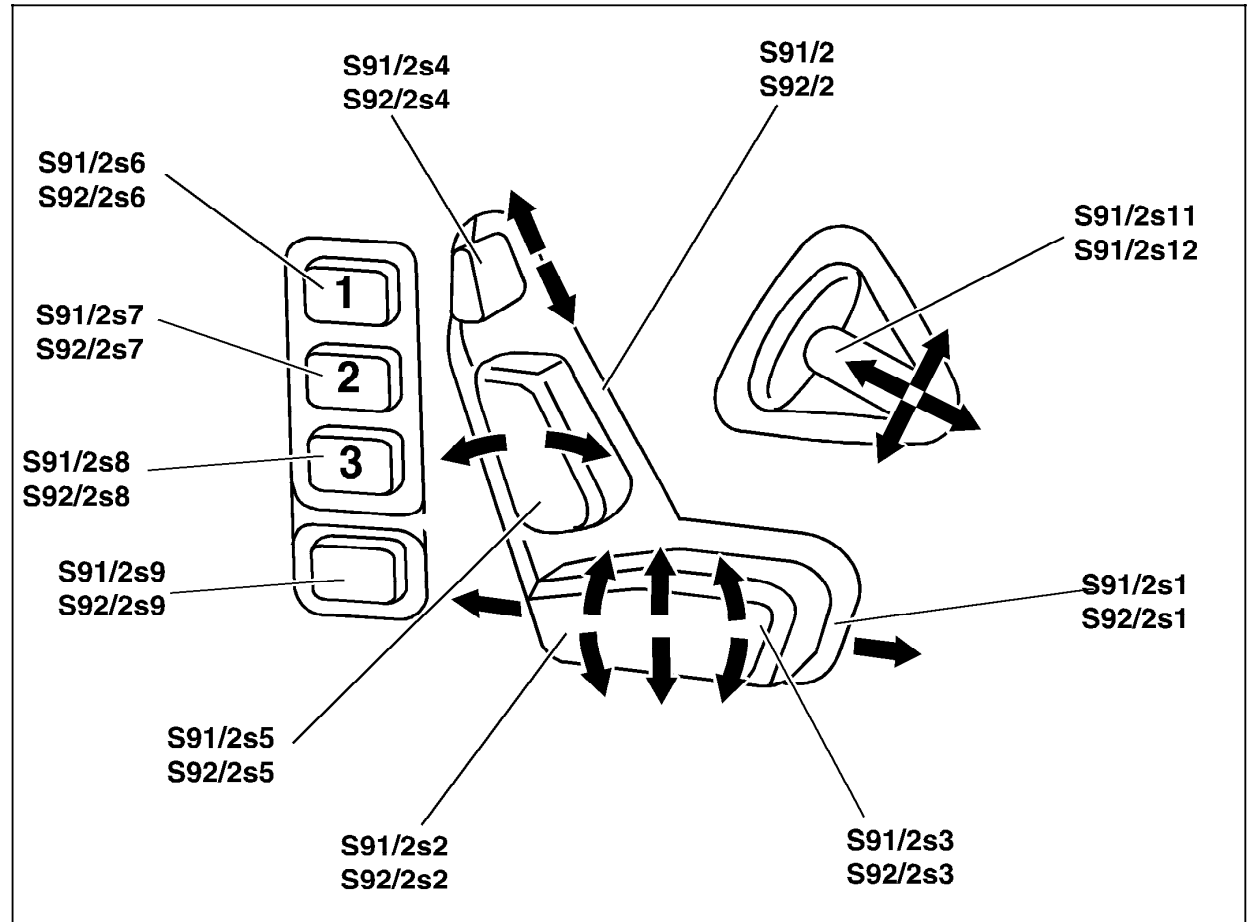
P91.29-0263-06

Electrical Test Program – Component Locations (Seat Adjustment with Memory)

ESA Switches

Figure 5

- S91/2 Left front door ESA switch group (with memory)
- S92/2 Right front door ESA switch group (with memory)
- S91/2s1 Fore/aft switch
- S92/2s1 Fore/aft switch
- S91/2s2 Rear raise/lower switch
- S92/2s2 Rear raise/lower switch
- S91/2s3 Front raise/lower switch
- S92/2s3 Front raise/lower switch
- S91/2s4 Head restraint raise/lower switch
- S92/2s4 Head restraint raise/lower switch
- S91/2s5 Backrest fore/aft switch
- S92/2s5 Backrest fore/aft switch
- S91/2s6 Memory button 1 switch
- S92/2s6 Memory button 1 switch
- S91/2s7 Memory button 2 switch
- S92/2s7 Memory button 2 switch
- S91/2s8 Memory button 3 switch
- S92/2s8 Memory button 3 switch
- S91/2s9 Memory store button
- S92/2s9 Memory store button
- S91/2s11 Steering column up/down switch (Model 210 only)
- S91/2s12 Steering column in/out switch (Model 210 only)



P91.29-0265-06