

Electrical Test Program – Connection of Components

Model 210

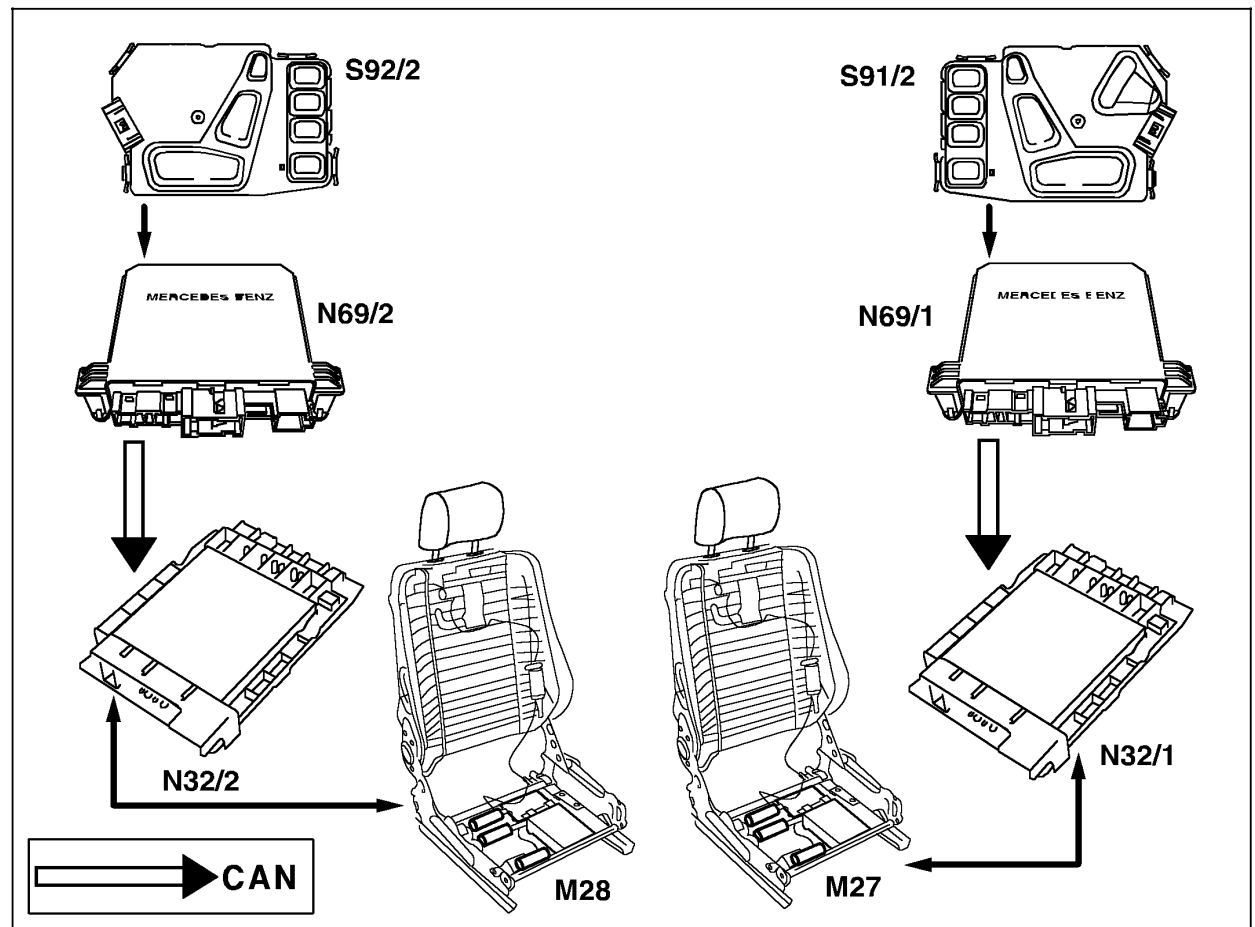


Figure 1

- CAN Control-Area-Network
- M27 Left front ESA motor group (with memory)
- M28 Right front ESA motor group (with memory)
- N32/1 Left front ESA control module (with memory)
- N32/2 Right front ESA control module (with memory)
- N69/1 Front driver-side door control module
- N69/2 Front passenger-side door control module
- S91/2 Left front door ESA switch group (with memory)
- S92/2 Right front door ESA switch group (with memory)

P91.29-0261-06

Electrical Test Program – Connection of Components

Model 208

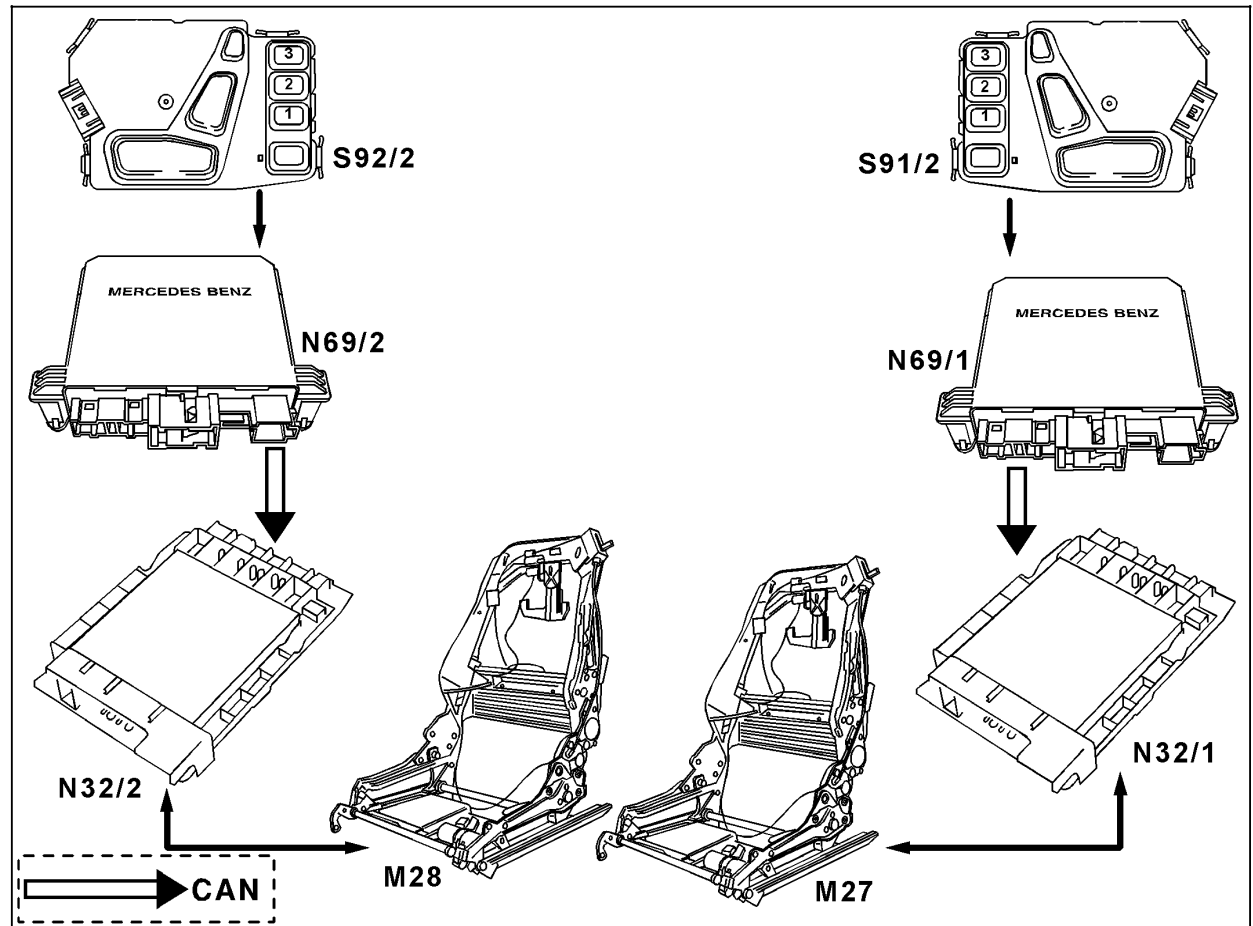


Figure 2

- CAN Control-Area-Network
- M27 Left front ESA motor group (with memory)
- M28 Right front ESA motor group (with memory)
- N32/1 Left front ESA control module (with memory)
- N32/2 Right front ESA control module (with memory)
- N69/1 Front driver-side door control module
- N69/2 Front passenger-side door control module
- S91/2 Left front door ESA switch group (with memory)
- S92/2 Right front door ESA switch group (with memory)

P91.29-0268-06