

Electrical Test Program – Component Locations

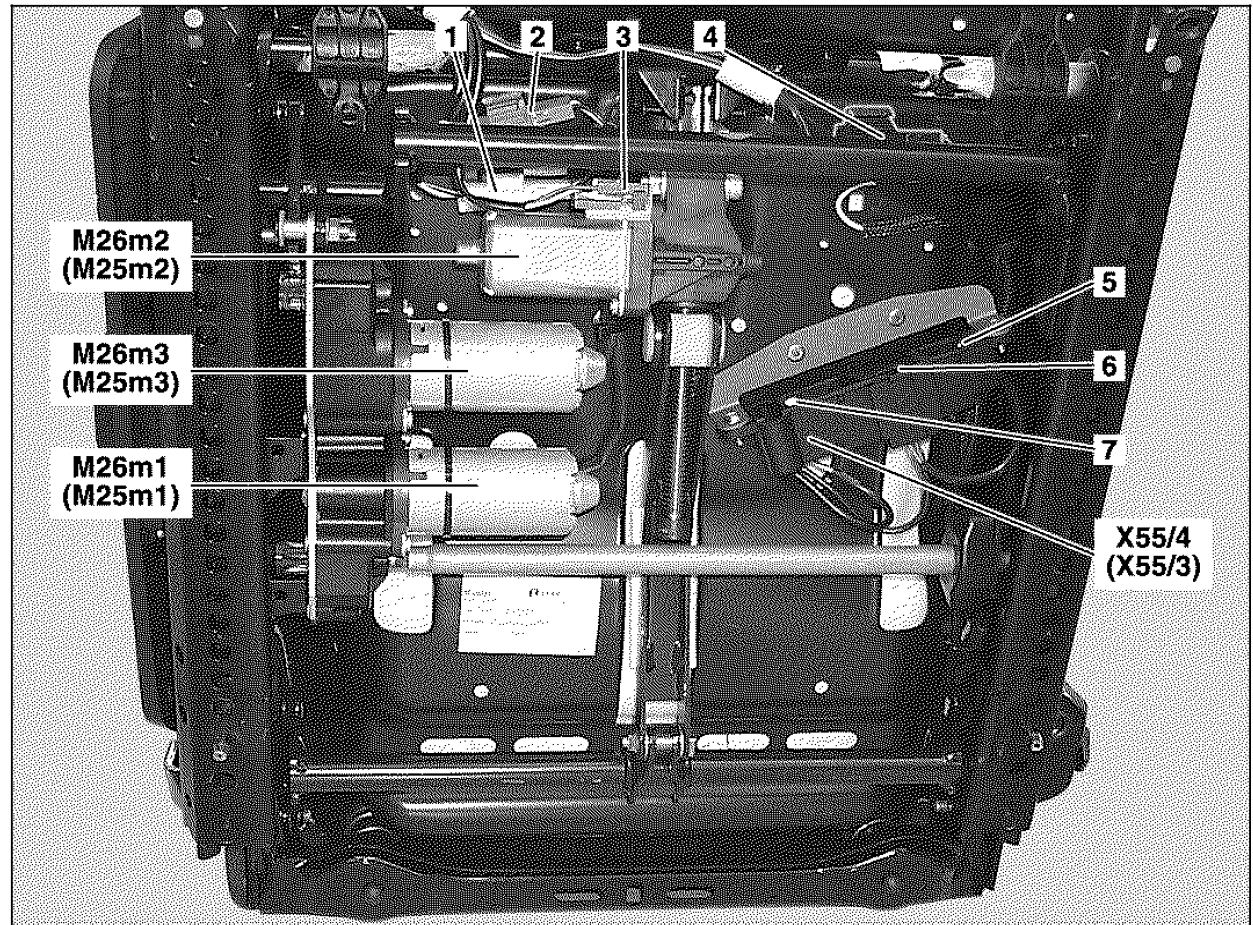
Component Locations

(Shown on right seat)

Figure 1

M25	Left front ESA motor group
M25m1	Fore/aft motor
M25m2	Rear raise/lower motor
M25m3	Front raise/lower motor
M26	Right front ESA motor group
M26m1	Fore/aft motor
M26m2	Rear raise/lower motor
M26m3	Front raise/lower motor
X55/3	Driver seat connector block
X55/4	Passenger seat connector block

1	Connector (white) (M26m3)
2	Connector (blue) (M26m1)
3	Connector (M26m2)
4	Connector (black) (M26m5)
5	Connector: Seat adjustment (voltage supply)
6	Connector: Seat heating
7	Connector: Front seat occupied



P91.29-2118-06

Electrical Test Program – Component Locations

Component Locations

(Shown on right seat)

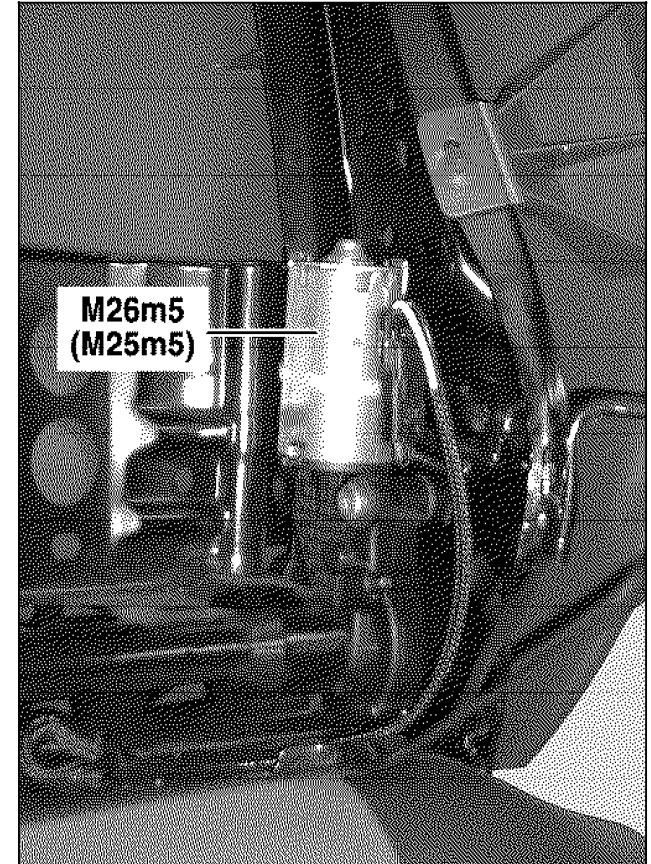


Figure 2

M25	Left front ESA motor group
M25m5	Backrest fore/aft motor
M26	Right front ESA motor group
M26m5	Seatback for/aft motor

P91.29-2119-02

Electrical Test Program – Component Locations

Component Locations

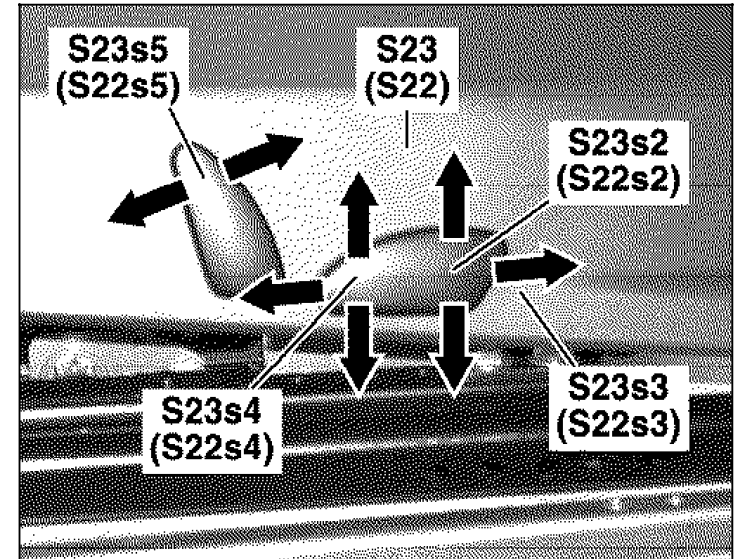
(Shown on right seat)

Figure 3

S22	Left front ESA switch
S22s2	Seat height, front
S22s3	Seat fore/aft
S22s4	Seat height, rear
S22s5	Backrest
S23	Right front ESA switch
S23s2	Seat height, front
S23s3	Seat fore/aft
S23s4	Seat height, rear
S23s5	Backrest



The left/right front ESA switches (S22/S23) are located on the corresponding lower seat frame, facing the door.

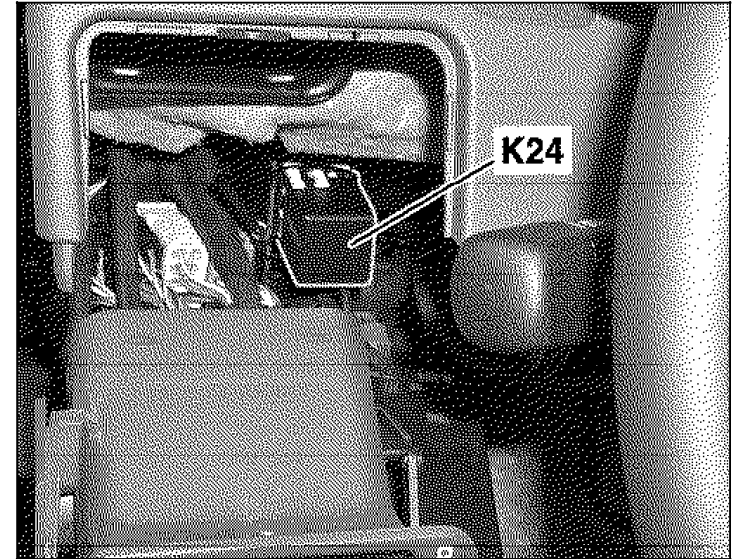


P91.29-2120-01

Electrical Test Program – Component Locations

Location of CF relay module (K24)

(Shown on lefthand steering [LHS])



P91.29-2121-01

Figure 4

K24 CF relay module (K24)



The CF relay module (K24) is located between the steering column and the A-pillar.