

Electrical Test Program – Component Locations

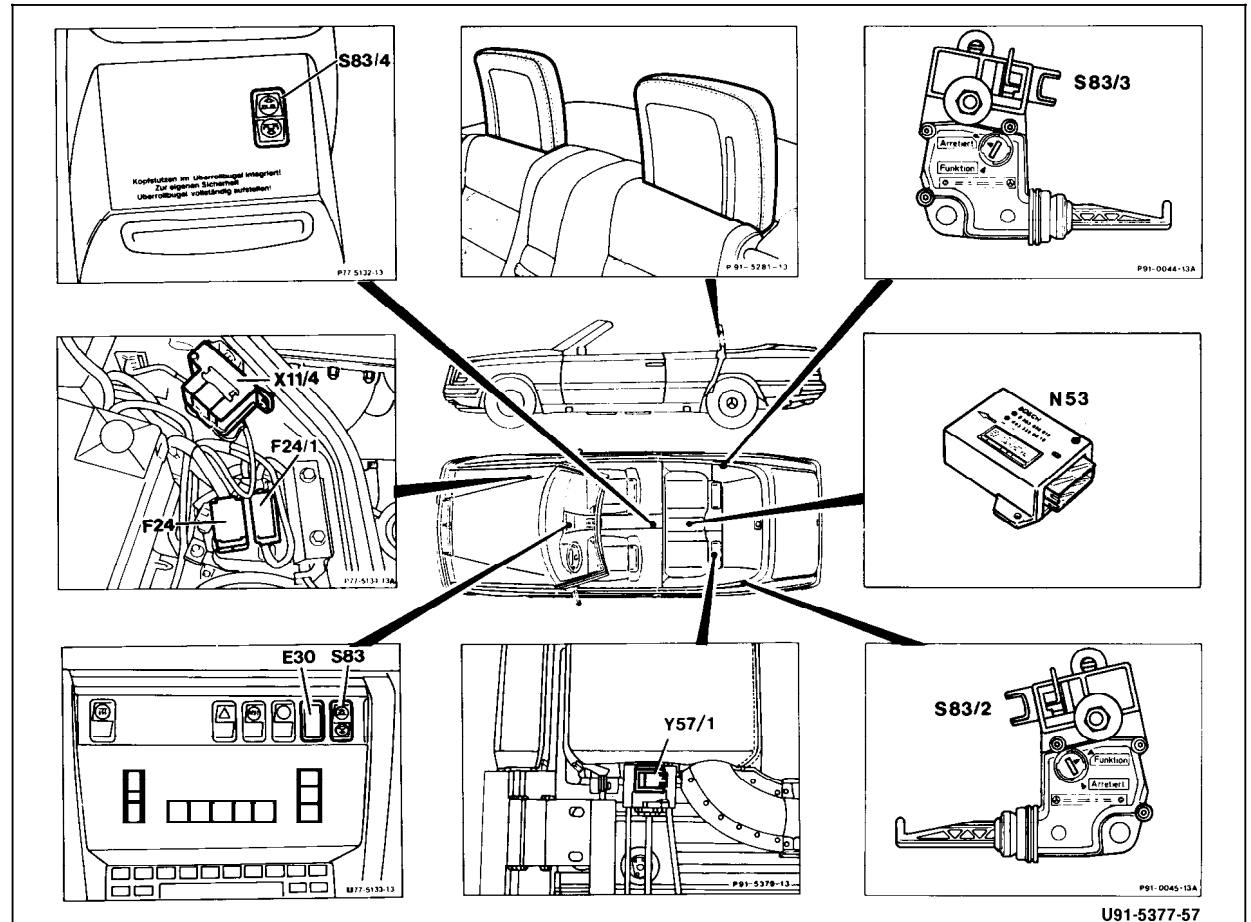


Figure 1

- E30 Center console roll bar malfunction indicator lamp
- F24 Auxiliary fuse holder (CST/RB)
- N53 RB control module (crash deployment)
- S83 RB switch (manual operation)
- S83/2 Left rear axle switch (roll bar)
- S83/3 Right rear axle switch (roll bar)
- S83/4 RB switch (rear center console)
- X11/4 Data link connector (DTC readout)
- Y57/1 RB deployment solenoid

U91-5377-57

U91-5377-57