

Diagnosis – Activation

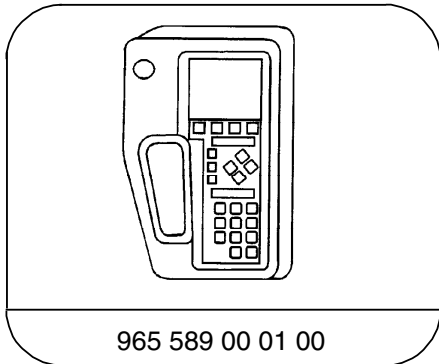
Via the HHT menu programm, the menu: **Activate** is used as function test for deployment of the roll bar (Crash Deployment).

As a result, it is no longer necessary to drive the vehicle, as previously to perform the function test.

DANGER !

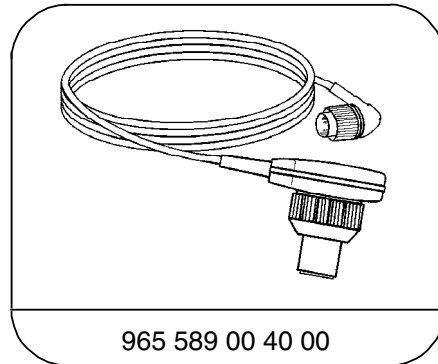
Prior to activation of the roll bar deployment, be certain that no persons are in the vicinity of the deployment radius of the roll bar. Risk of injury.

Special Tools



965 589 00 01 00

Hand-Held-Tester



965 589 00 40 00

Test cable