

### Electrical Test Program - Preparation for Test

#### Preparation for Test:

1. Check fuses F1-19, F1-20, F20-1, F20-2, F20-3, F20-4, F20-7, F20-8, F20-9, ok,
2. Battery voltage > 11 V,
3. RB MIL (A1e29) is illuminated in instrument cluster.

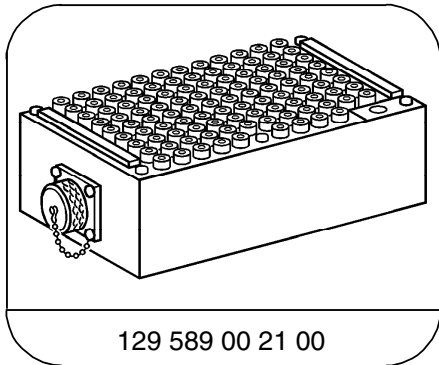
#### DANGER !

Disconnecting the connector or tilting of the power soft top control module (N52) upon removal, will cause the roll bar to deploy. Be certain to keep persons away from deployment radius of the roll bar. Risk of injury.

#### Electrical Wiring Diagrams

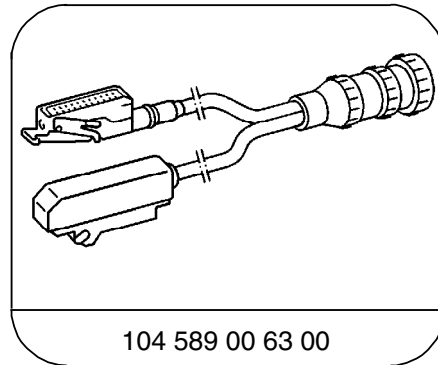
See Electric Troubleshooting Manual, Model 129, Volume 3, group 06

#### Special Tools



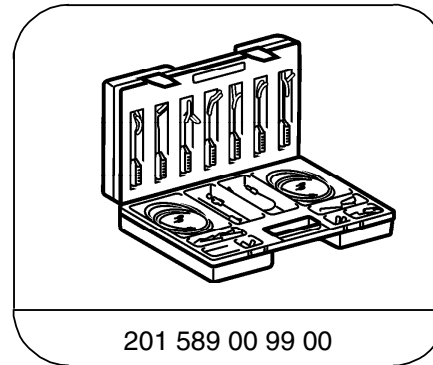
129 589 00 21 00

126-pin socket box



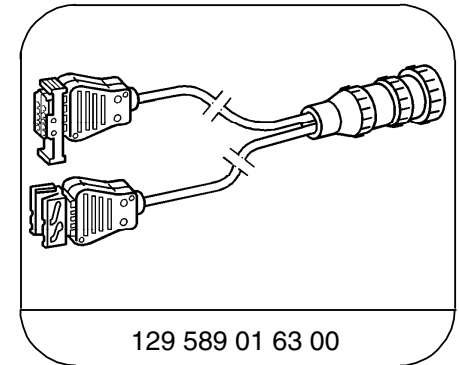
104 589 00 63 00

Test cable



201 589 00 99 00

Electrical connecting set

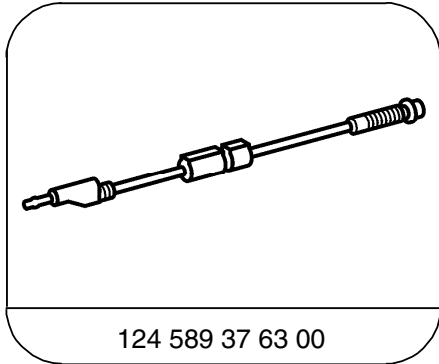


129 589 01 63 00

12-pin test cable

Electrical Test Program - Preparation for Test

Special Tools



124 589 37 63 00

Fused cable

## Electrical Test Program - Preparation for Test

- Ignition: OFF
- Disconnect connector X2 from control module
- Connect socket box

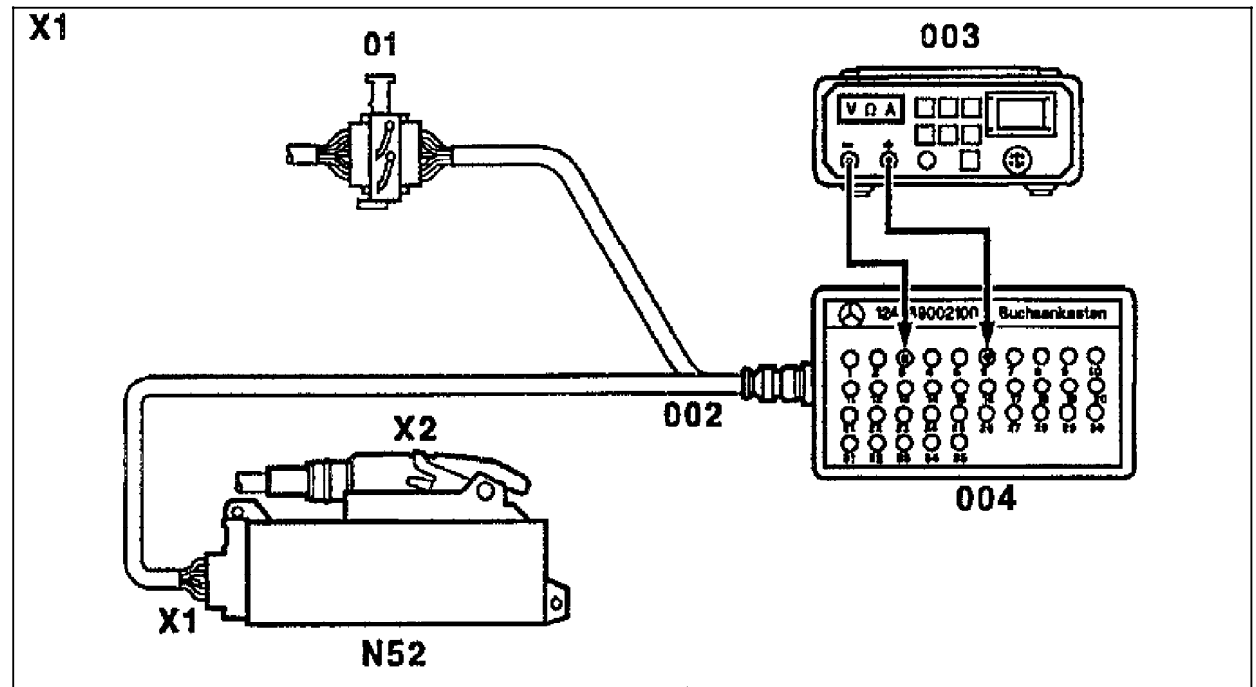
### Connection Diagram - Socket Box with connector X1

**⚠ DANGER!**

Disconnecting the connector or tilting of the power soft top control module (N52) upon removal, will cause the roll bar to deploy. Be certain to keep persons away from deployment radius of the roll bar. Risk of injury.

Figure 1

- 01 Vehicle harness set connector (12-pole)
- 002 Test cable (12-pole), part no. 129 589 01 63 00
- 003 Multimeter
- 004 Socket box
- N52 Power soft top control module



P77-5409-55

### Electrical Test Program - Preparation for Test

- Ignition: OFF
- Disconnect connector X2 from control module
- Connect socket box

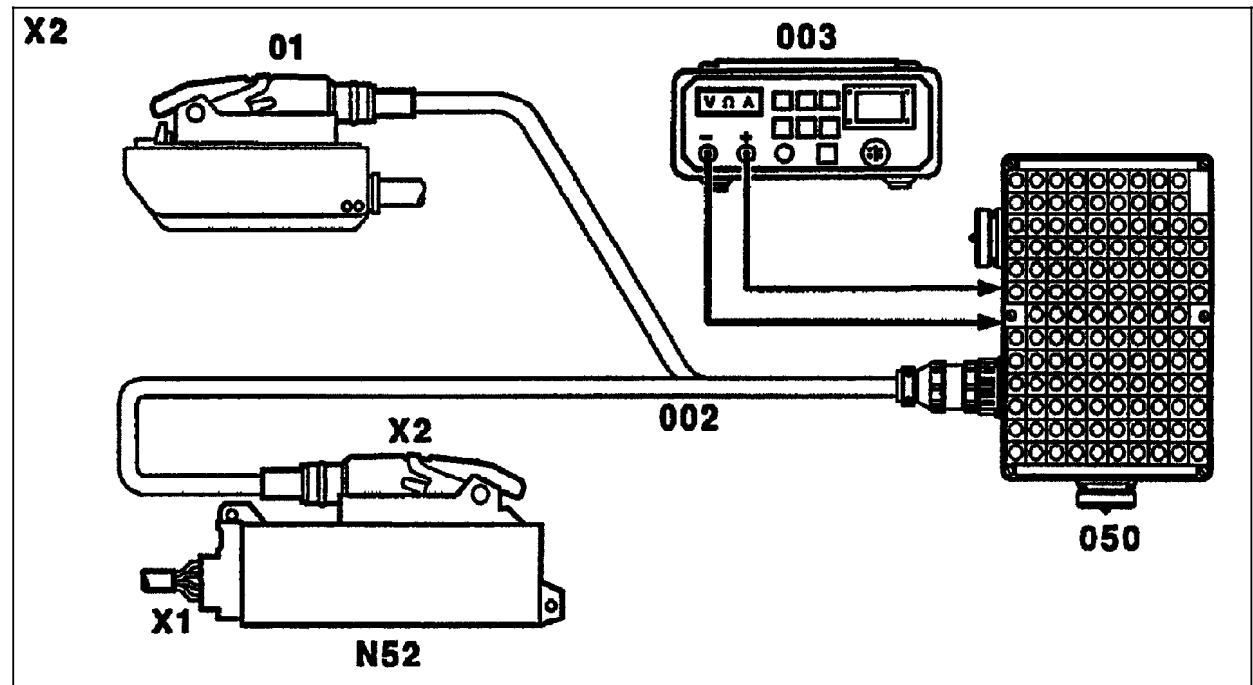
#### Connection Diagram - Socket Box with connector X2

#### **⚠ DANGER!**

Disconnecting the connector or tilting of the power soft top control module (N52) upon removal, will cause the roll bar to deploy. Be certain to keep persons away from deployment radius of the roll bar. Risk of injury.

Figure 2

- 01 Vehicle harness set connector (35-pole)
- 002 Test cable (35-pole), part no. 104 589 00 63 00
- 003 Multimeter
- 004 Socket box
- N52 Power soft top control module



P77-5408-55