

Electrical Test Program – Component Locations

Rear view of Roll Bar

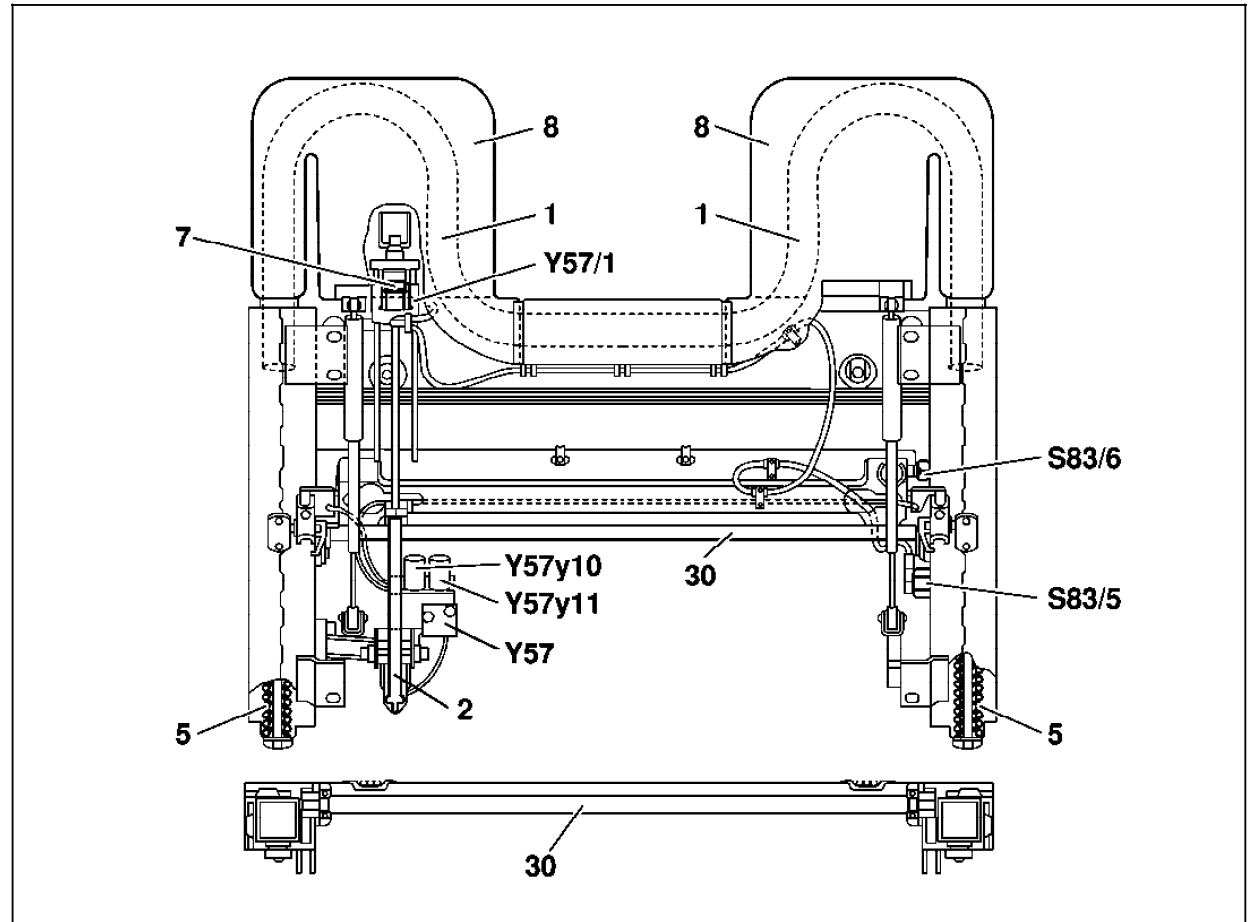


Figure 1

- 1 Roll Bar
- 2 Roll Bar hydraulic cylinder at support and actuation element
- 5 Spring (for Crash Deployment)
- 7 Lock (clutch)
- 8 Head restraint
- 30 Synchronization shaft

- S83/5 RB "retracted" limit switch
- S83/6 RB "extended" limit switch
- Y57 RB valve block
- Y57/1 RB deployment solenoid
- Y57y10 Rod side valve
- Y57y11 Piston side valve

P91.50-2001-06

Electrical Test Program – Component Locations

Components Location in Passenger Compartment

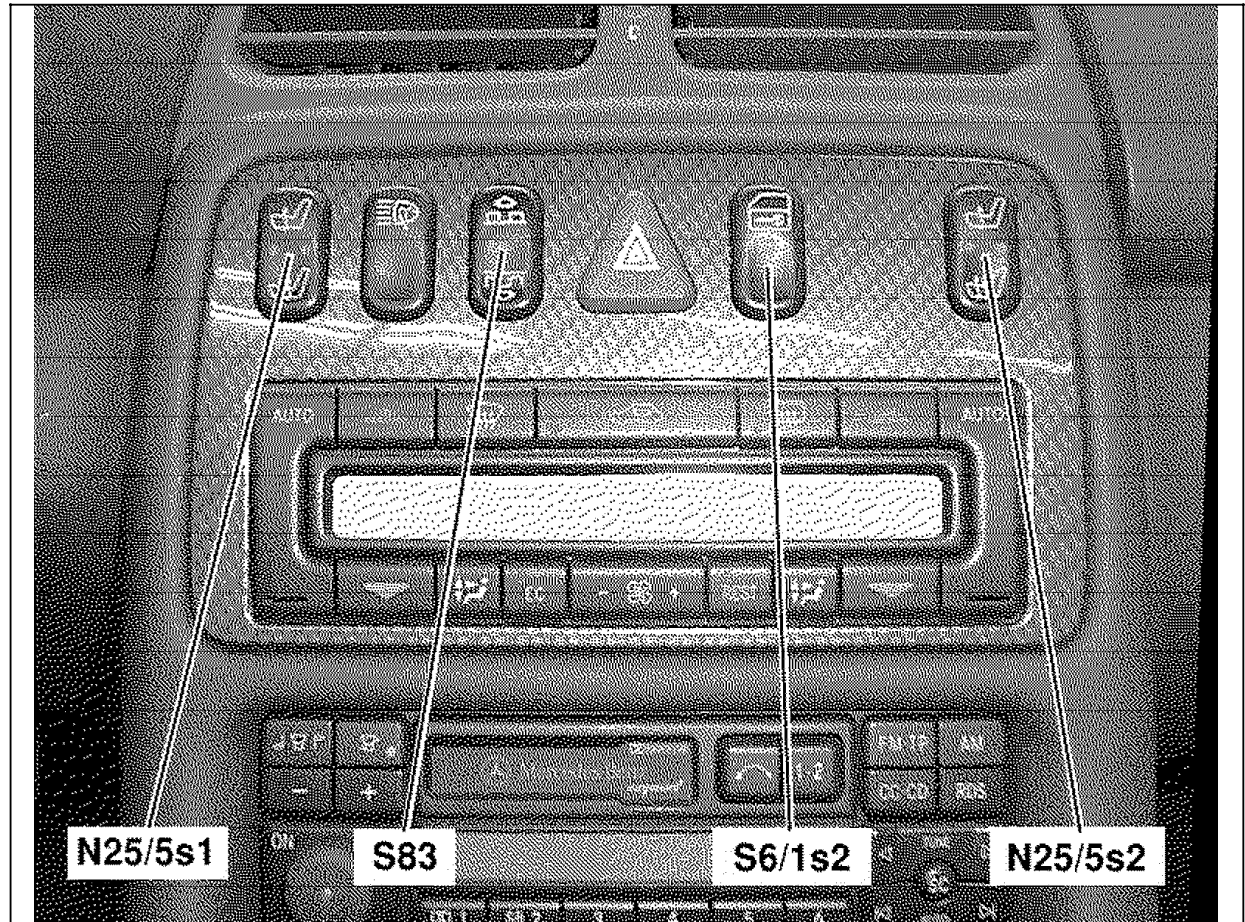


Figure 2

- N25/5s1 Left front HS switch
- N25/5s2 Right front HS switch
- S6/1s2 Interior switch (CL)
- S83 RB switch (manual operation)

P68.20-2008-11

Electrical Test Program – Component Locations

Components Location in Trunk

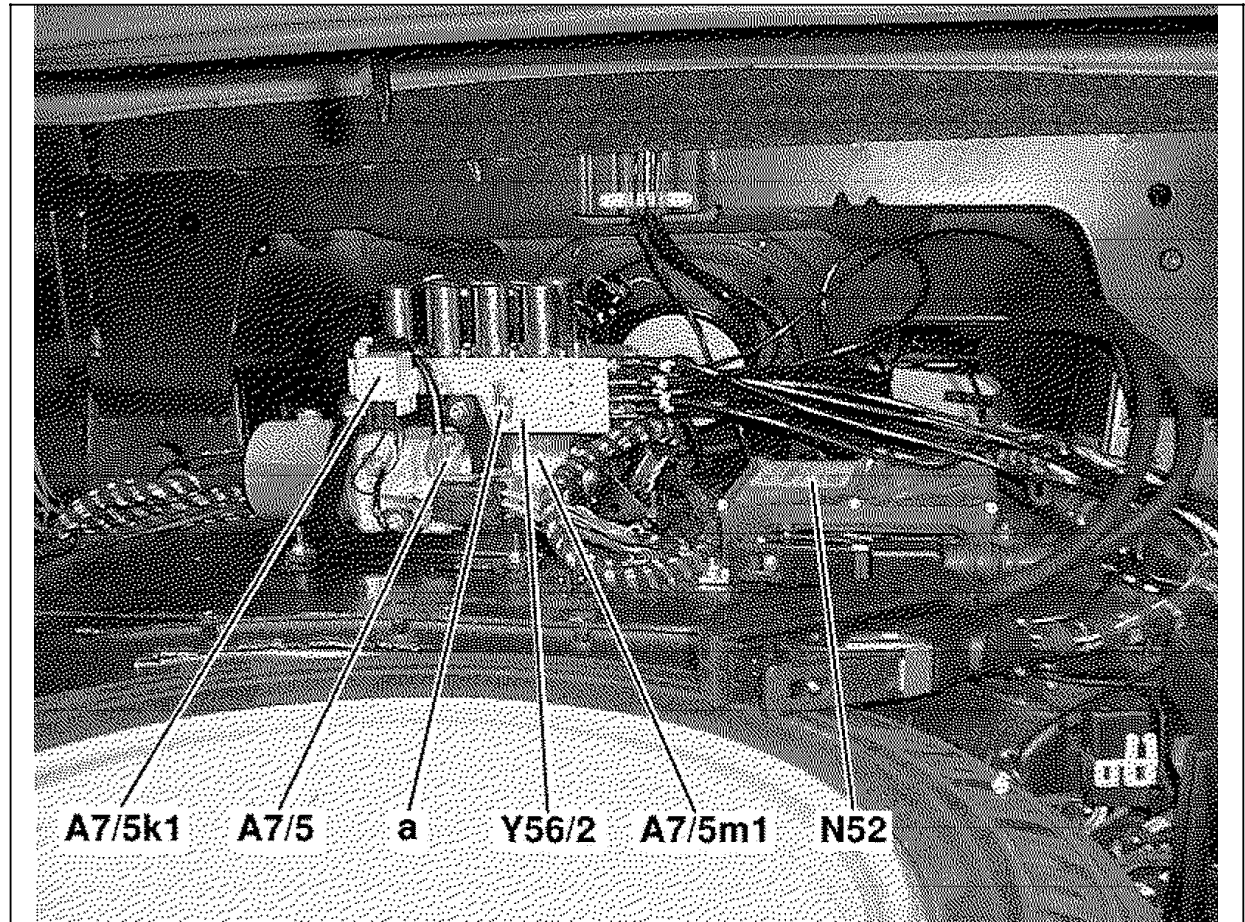


Figure 3

- A7/5 RB hydraulic unit (power soft top)
- A7/5k1 Hydraulic unit relay
- A7/5m1 Hydraulic unit motor
- N52 Power soft top control module
- Y56/2 Power top valve block (7 connections)
- a Manual ON-OFF check valve for emergency operation of the power soft top

P77.37-2007-11