

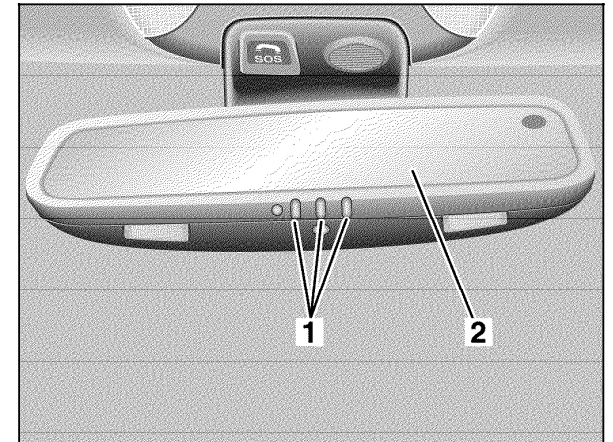
22.1 Garage Door Opener (GDO)

Models 129, 163, 170, 202, 208, 210, 215, 220

Electrical Test Program – Component Locations

Models 129, 202, 208, 210, 215, 220

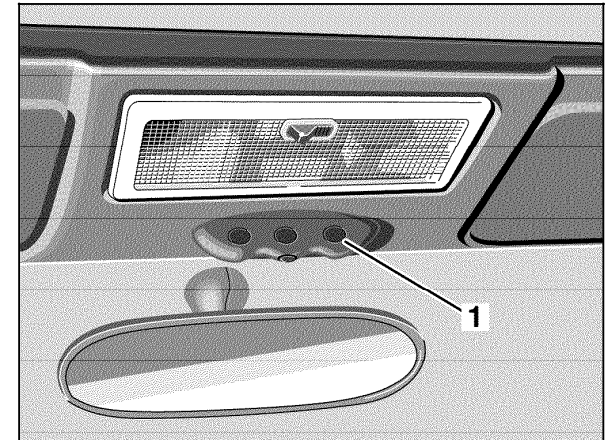
The transmitter pushbuttons as well as the transmitter are integrated within the interior rearview mirror.



P68.05-2012-71

Model 170

The transmitter pushbuttons as well as the transmitter are located above the interior rearview mirror.

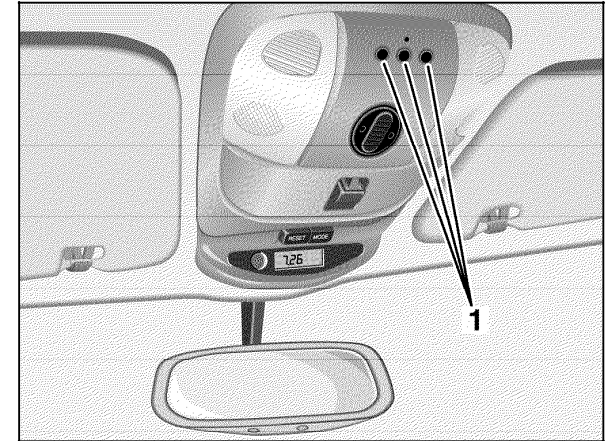


P68.05-2013-01

Electrical Test Program – Component Locations

Model 163

The transmitter pushbuttons as well as the transmitter are located in the area between the front dome lamps.



P68.05-2014-71