

Pneumatic Test Program – Component Locations

Location of Components

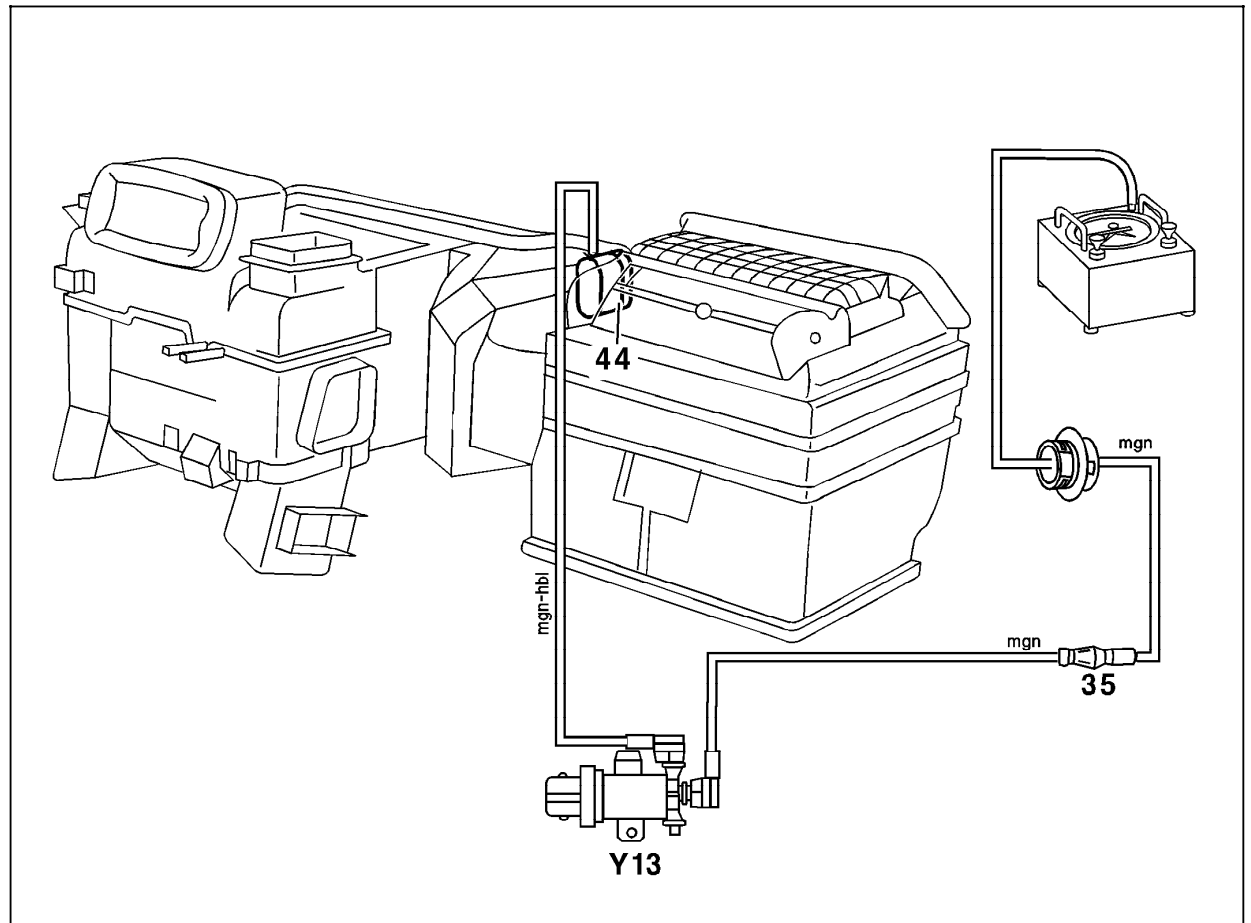


Figure 1

- 35 Cockpit separation point
- 44 Fresh/recirculating air flap vacuum actuator
- Y13 Fresh/recirculated air flap switchover valve
- mgn Medium green hose

P83.25-0303-06