

#### Electrical Test Program – Component Locations

#### Electrical Components in Passenger Compartment

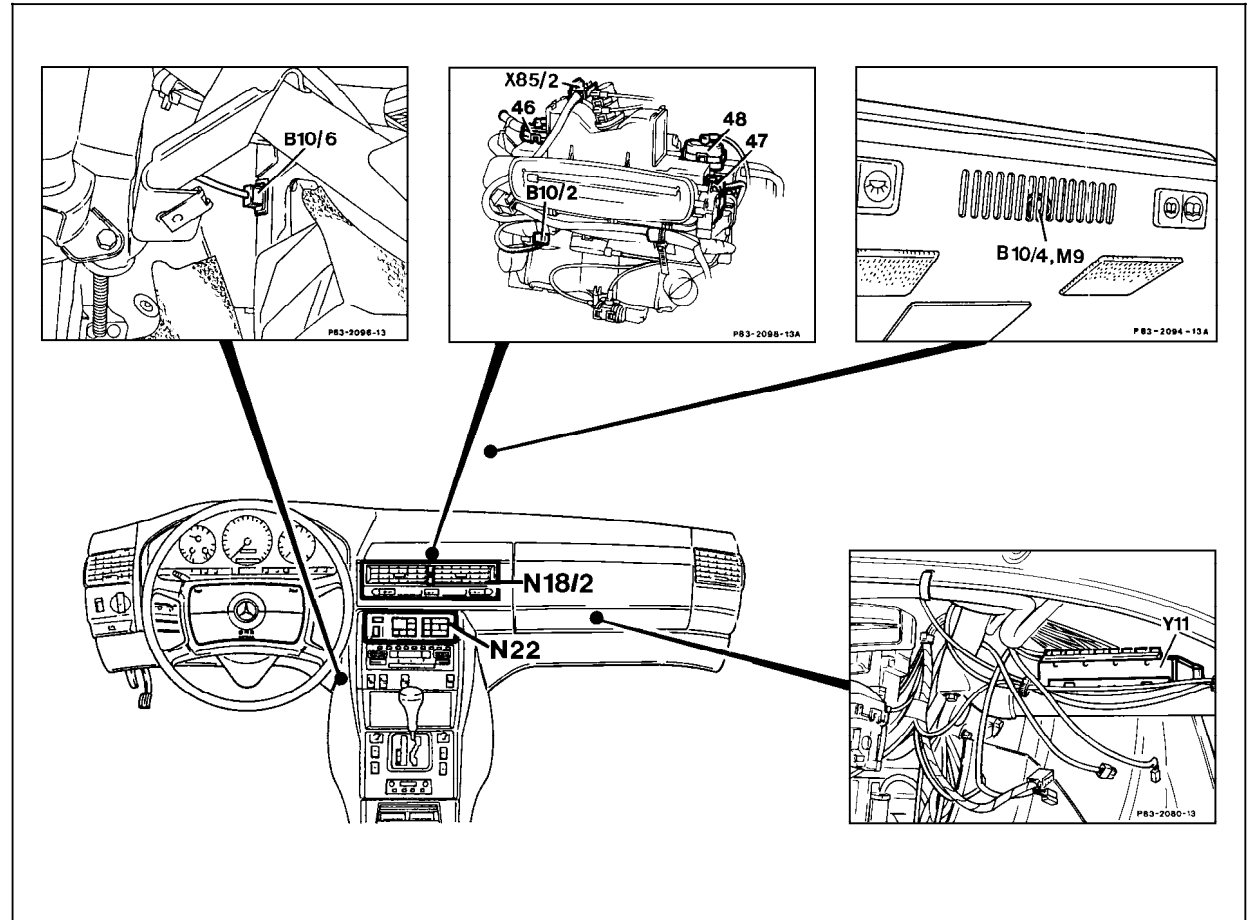


Figure 1

- B10/2 Left heater core temperature sensor
- B10/4 In – car temperature sensor (with aspirator blower in E15)
- B10/6 Evaporator temperature sensor
- M9 In – car temperature sensor aspirator blower
- N18/2 Center and side air outlet flap control module
- N22 A/C pushbutton control module (Automatic A/C)
- X85/2 Heater/interior connector (12–pole)
- Y11 Switchover valve block (15 connections, multiplex)
- 46 Vacuum actuator with left air outlet feedback potentiometer (R23/1)
- 47 Vacuum actuator with center air outlet feedback potentiometer (R23/3)
- 48 Vacuum actuator with right air outlet feedback potentiometer (R23/2)

P83-0042-57A

#### Electrical Test Program – Component Locations

#### Electrical Components in Engine Compartment

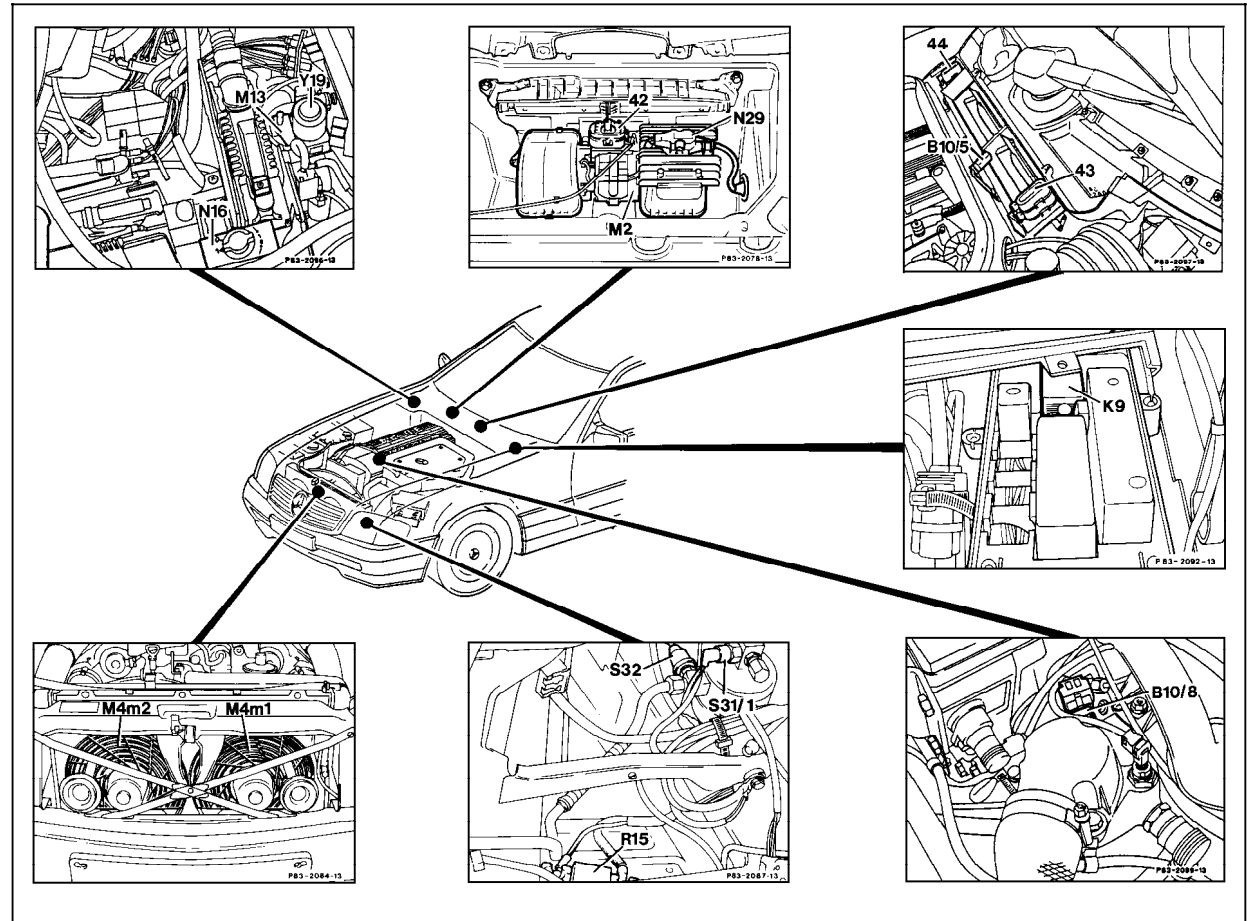


Figure 2

- B10/5 Outside temperature sensor
- B10/8 ECT sensor (A/C)
- K9 Auxiliary fan relay module (stage 1 and 2)
- M2 Blower motor
- M4m1 Left auxiliary fan
- M4m2 Right auxiliary fan
- M13 Auxiliary coolant pump
- N16 Engine systems control module
- N29 Electronic blower regulator
- R15 Auxiliary fan presistor
- S31/1 Dual function A/C compressor pressure switch (OFF 2.0/30.0 bar, ON 2.6/22.0 bar)
- S32 Auxiliary fan/A/C compressor switch (OFF 15.0 bar, ON 20.0 bar) (green)
- Y19 Automatic A/C monovalve

P83-0039-57