

Pneumatic Test Program – Component Locations

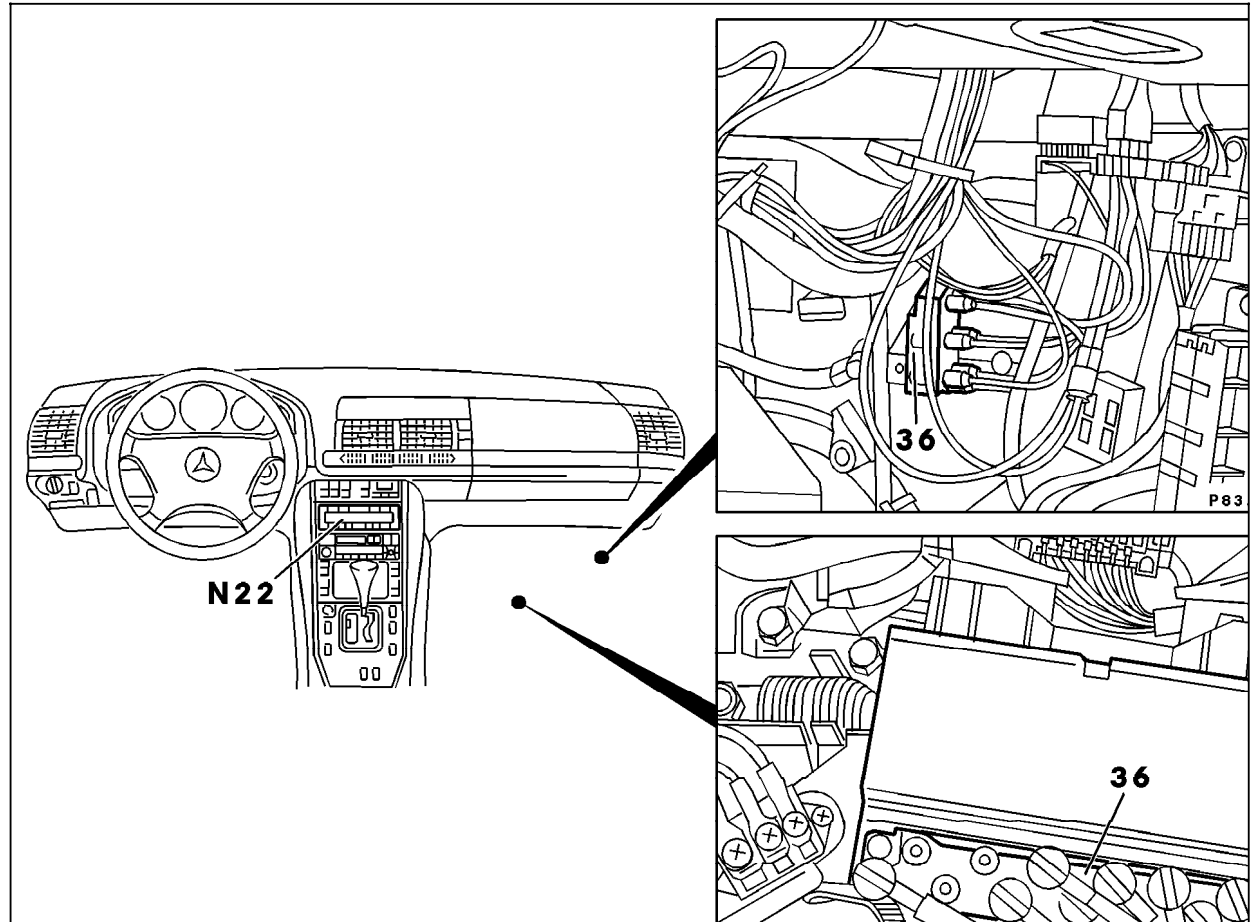


Figure 1  
36 Distributor valve block

P83.40-0309-06

### Pneumatic Test Program – Component Locations

Vehicles up to Chassis End No. 1A 123445

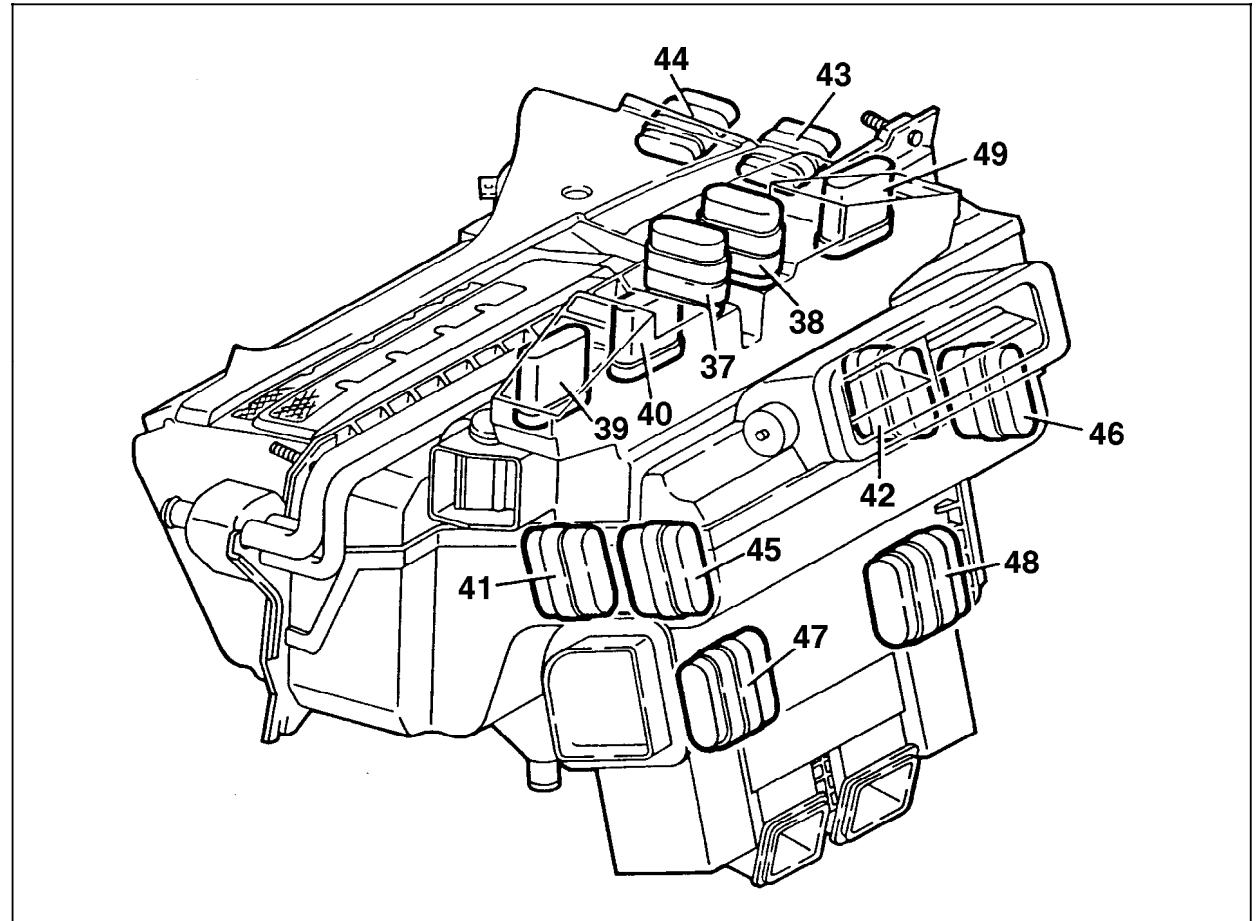


Figure 2

- 37 Left defroster flap vacuum actuator
- 38 Right defroster flap vacuum actuator
- 39 Diverter flap, left side air outlet vacuum actuator
- 40 Diverter flap, right side air outlet vacuum actuator
- 41 Diverter flap, left center air outlet vacuum actuator
- 42 Diverter flap, right center air outlet vacuum actuator
- 43 Main air flap, rear vacuum actuator
- 44 Main air flap, front vacuum actuator
- 45 Blend air flap, left center air outlet vacuum actuator
- 46 Blend air flap, right center air outlet vacuum actuator
- 47 Left footwell flap vacuum actuator
- 48 Right footwell flap vacuum actuator
- 49 Air recirculation flap vacuum actuator

P83-5476-57

### Pneumatic Test Program – Component Locations

Vehicles starting Chassis End No. 1A  
123446 up to 182367

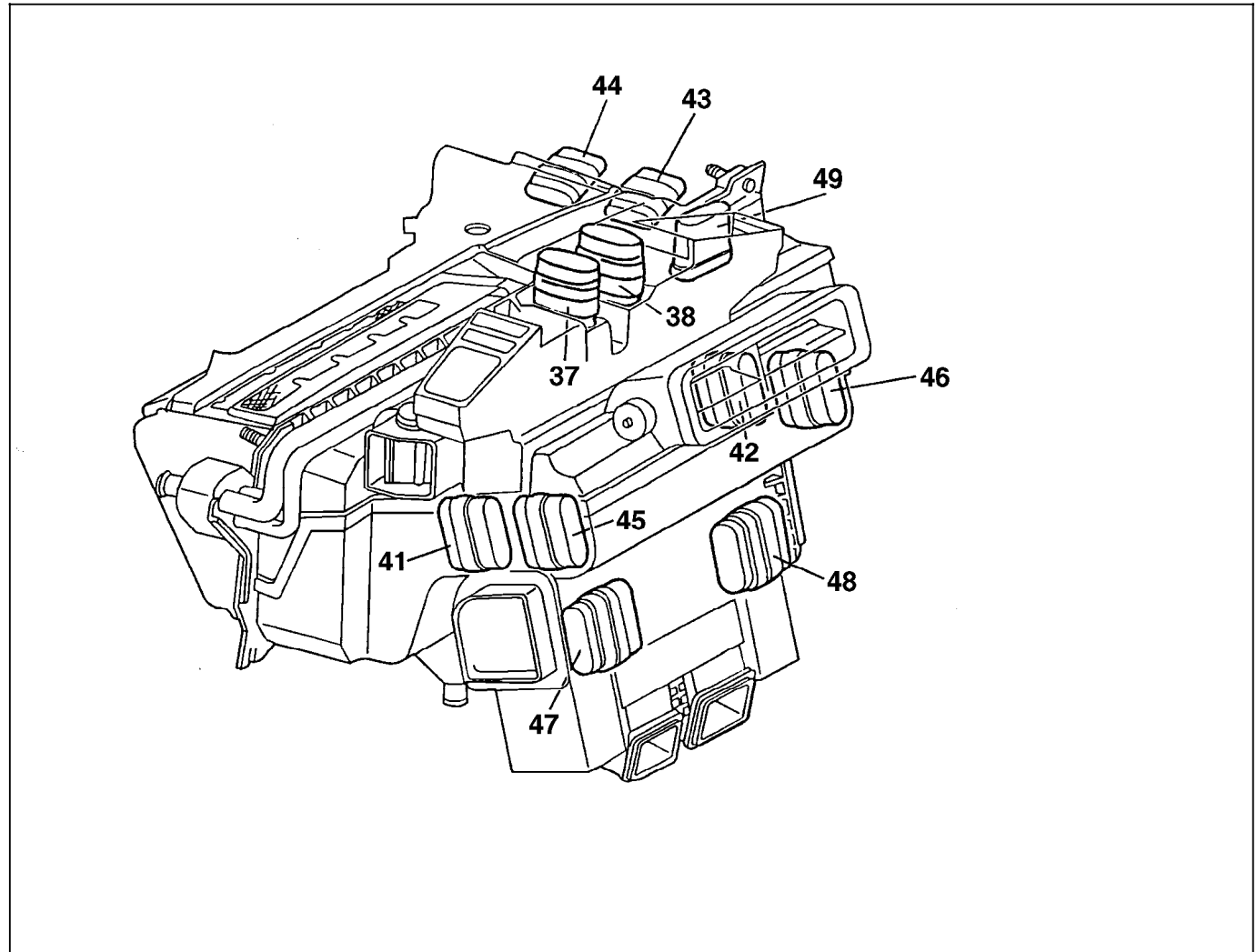


Figure 3

- 37 Left defroster flap vacuum actuator
- 38 Right defroster flap vacuum actuator
- 41 Diverter flap, left center air outlet vacuum actuator
- 42 Diverter flap, right center air outlet vacuum actuator
- 43 Main air flap, rear vacuum actuator
- 44 Main air flap, front vacuum actuator
- 45 Blend air flap, left center air outlet vacuum actuator
- 46 Blend air flap, right center air outlet vacuum actuator
- 47 Left footwell flap vacuum actuator
- 48 Right footwell flap vacuum actuator
- 49 Air recirculation flap vacuum actuator

P83.40-0215-06

Pneumatic Test Program – Component Locations

Vehicles up to Chassis End No.  
1A 182368

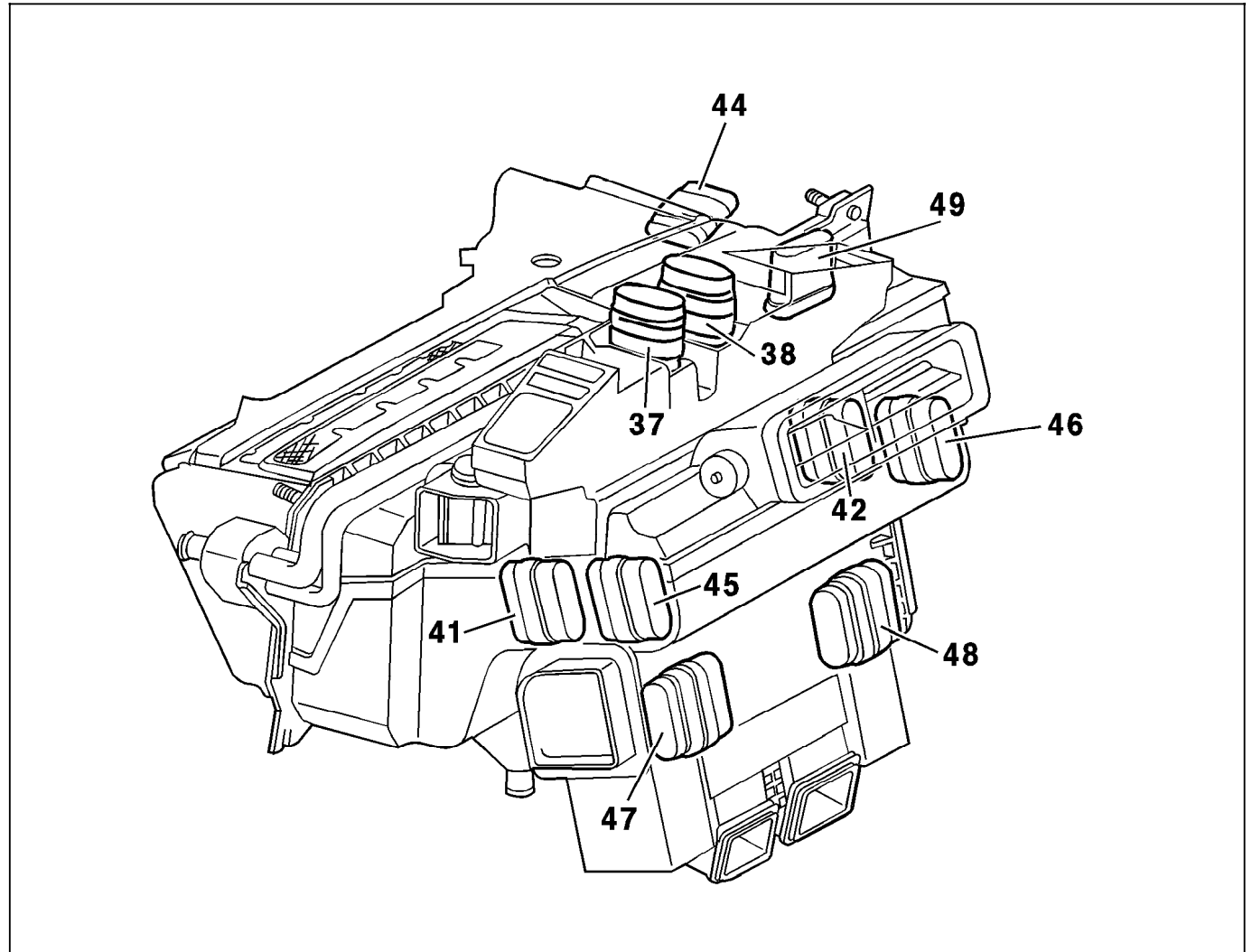


Figure 4

- 37 Left defroster flap vacuum actuator
- 38 Right defroster flap vacuum actuator
- 41 Diverter flap, left center air outlet vacuum actuator
- 42 Diverter flap, right center air outlet vacuum actuator
- 44 Main air flap, front vacuum actuator
- 45 Blend air flap, left center air outlet vacuum actuator
- 46 Blend air flap, right center air outlet vacuum actuator
- 47 Left footwell flap vacuum actuator
- 48 Right footwell flap vacuum actuator
- 49 Air recirculation flap vacuum actuator

P83.40-0239-06