

Electrical Test Program – Component Locations

Component locations in passenger compartment

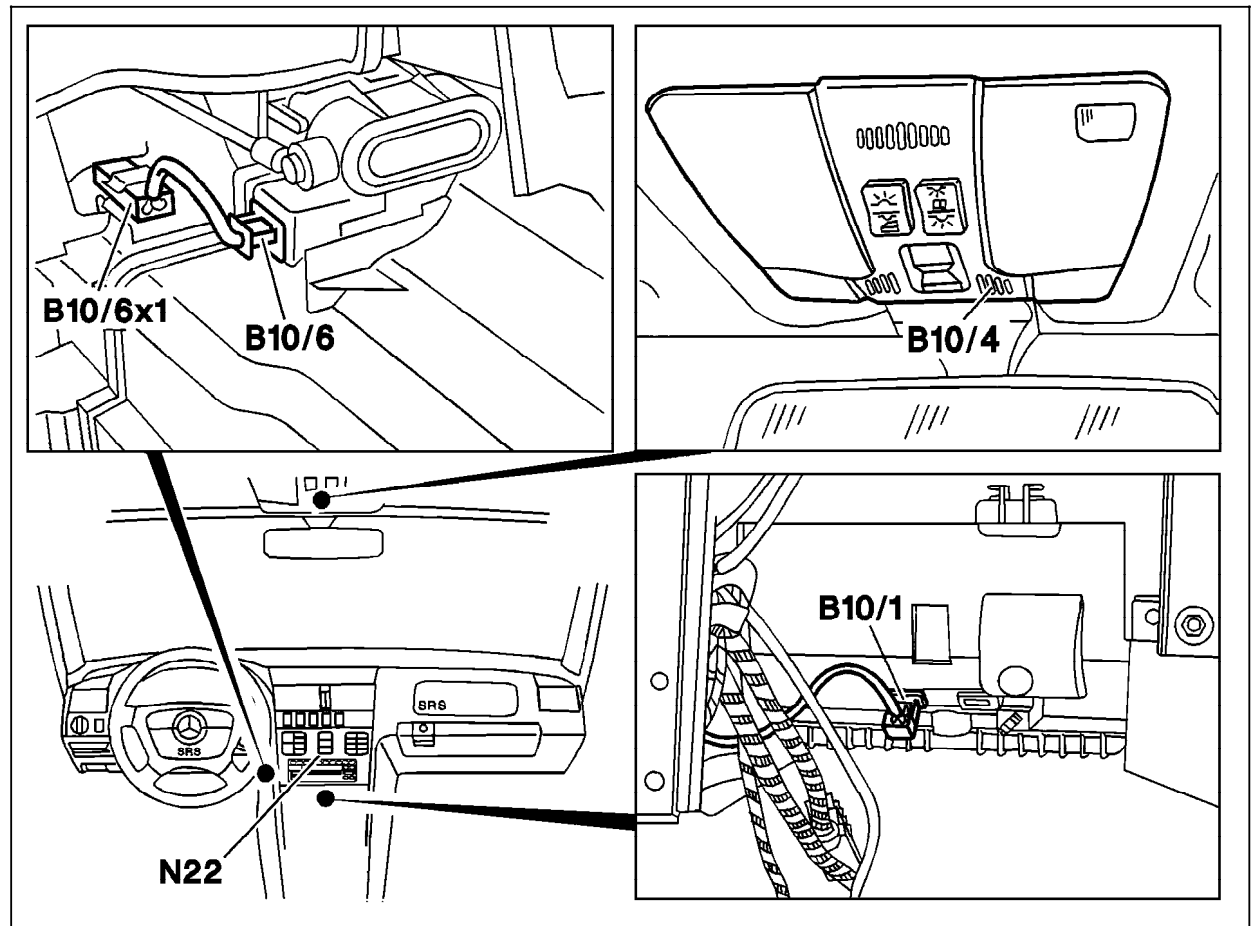


Figure 1

- B10/1 Heater core temperature sensor
- B10/4 In-car temperature sensor
(with aspirator blower in E15)
- B10/6 Evaporator temperature sensor
- B10/6x1 Evaporator temperature sensor connector
- N22 A/C pushbutton control module

P83-5677-57

Electrical Test Program – Component Locations

Component locations in engine compartment

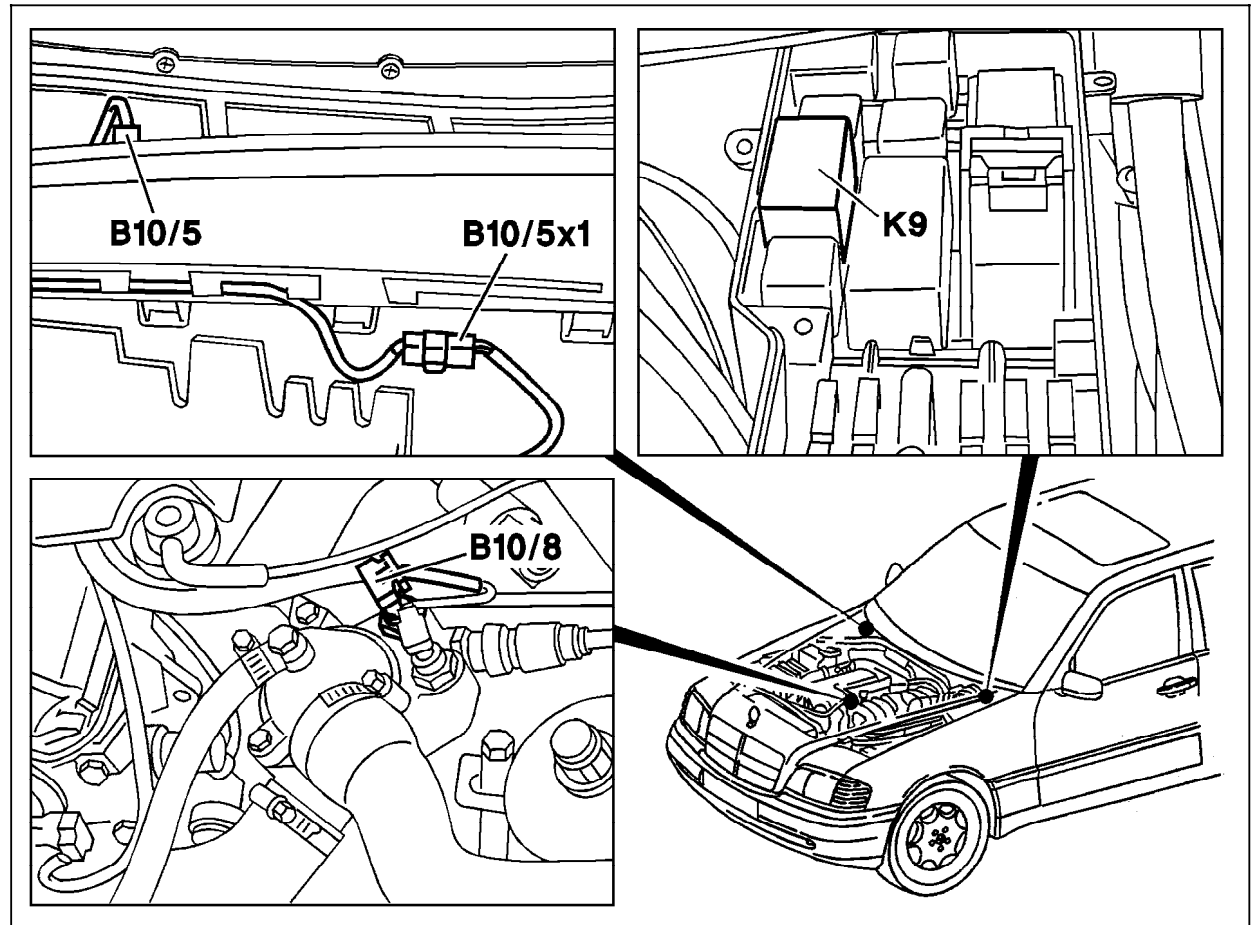


Figure 2

- B10/5 Outside temperature sensor
- B10/5x1 Outside temperature sensor connector
- B10/8 Engine coolant temperature sensor (A/C)
- K9 Auxiliary fan relay module (stage 2)

P83-5660-57

Electrical Test Program – Component Locations

Component locations in engine compartment

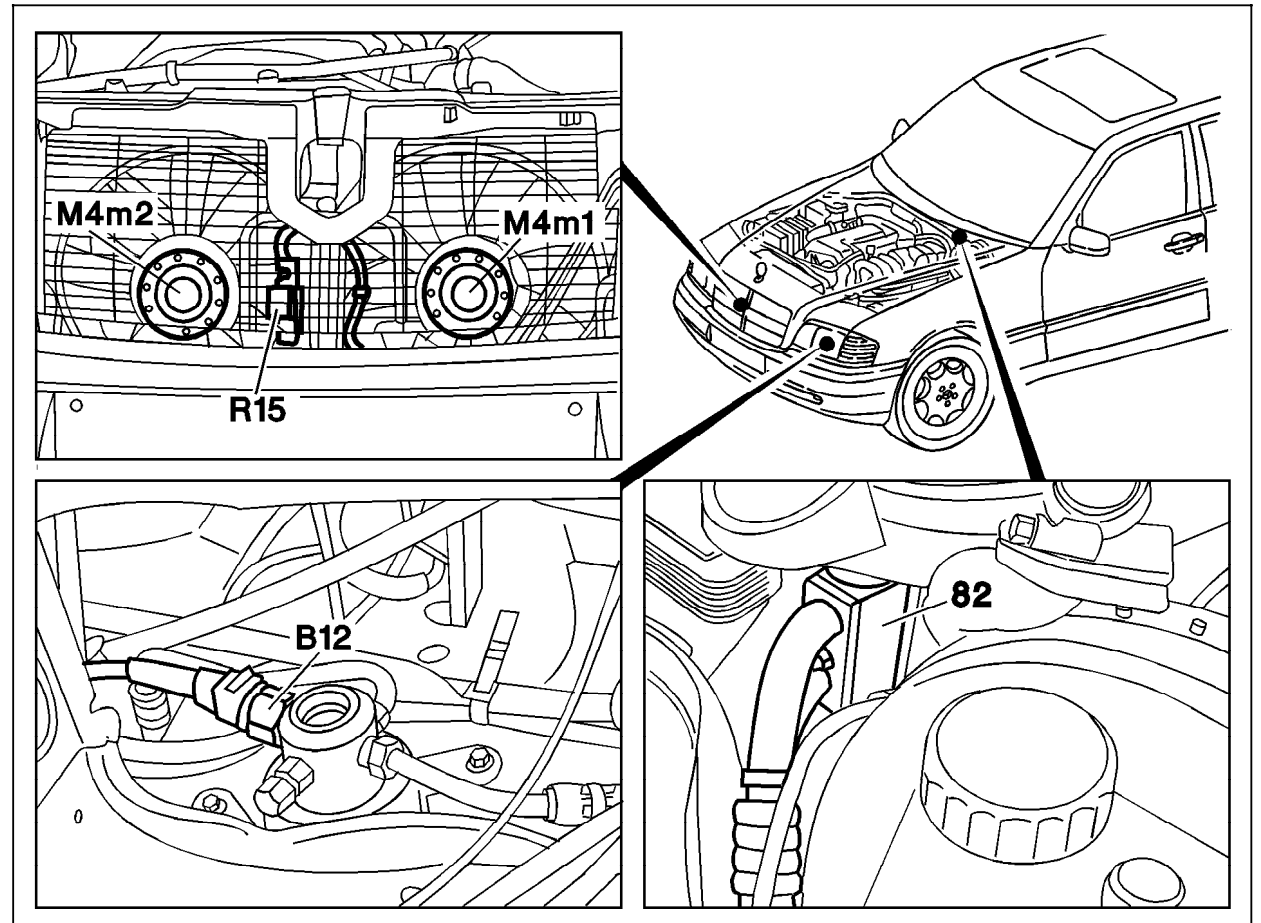


Figure 3

- 82 Expansion valve
- B12 Refrigerant pressure sensor
- M4m1 Left auxiliary fan
- M4m2 Right auxiliary fan
- R15 Auxiliary fan preresistor

P83-5658-57