

Refrigeration System Test Program – Component Locations

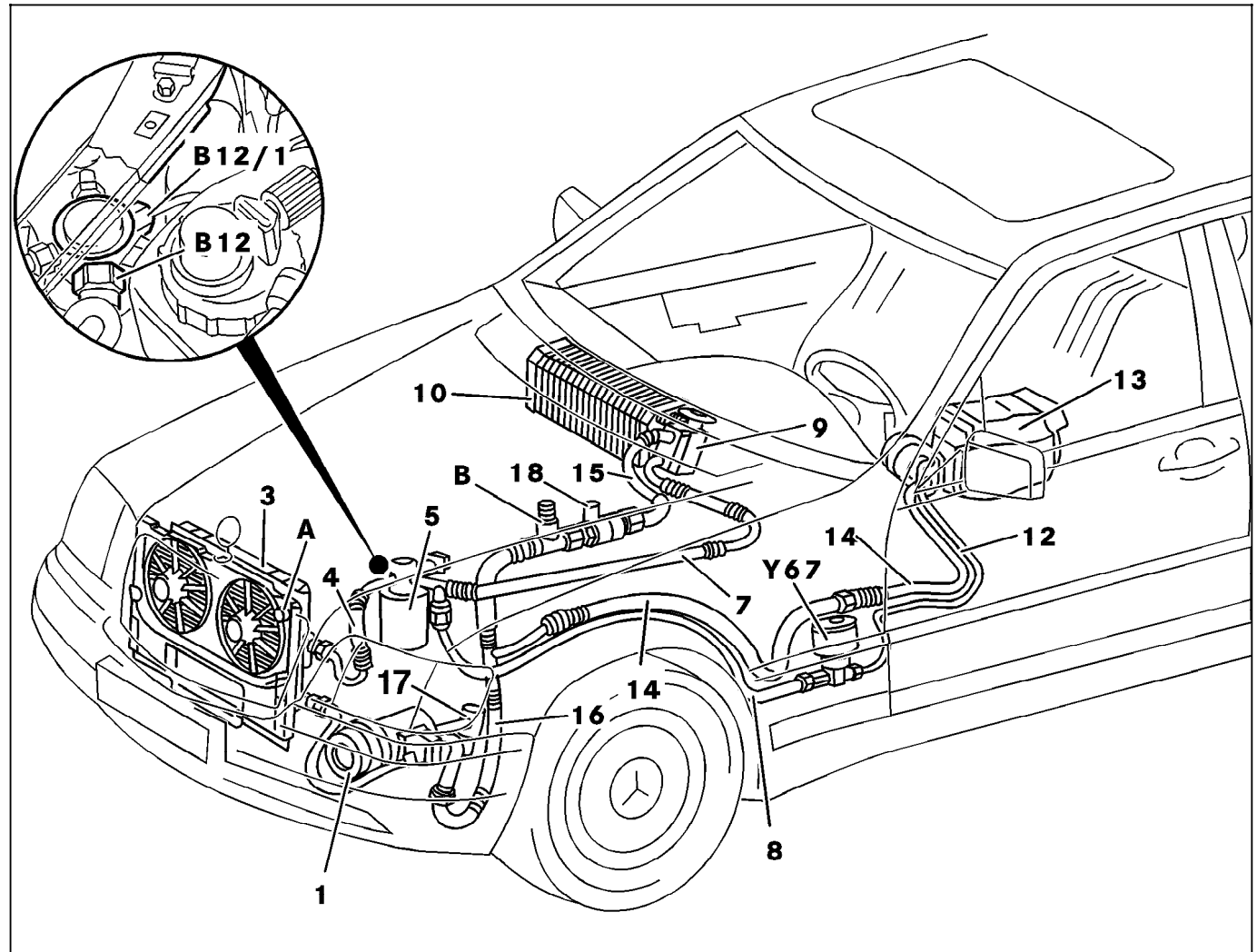


Figure 1

- A High pressure connection
- B Low pressure connection
- 1 A/C compressor
- 3 Condenser
- 4 High pressure liquid line to receiver/dryer
- 5 Receiver/dryer
- 7 High pressure line to evaporator
- 8 High pressure line to evaporator
- 9 Expansion valve
- 10 Evaporator
- 12 Pressure line
- 13 Rear A/C
- 14 Low pressure line
- 15 Low pressure line
- 16 Low pressure line
- 17 Pipe group
- 18 Fuel cooler
- B12 Refrigerant pressure sensor
- B12/1 Refrigerant temperature sensor
- Y67 Rear refrigerant shut-off valve

P83.40-0294-06