

Electrical Test Program – Component Locations

Component locations in passenger compartment

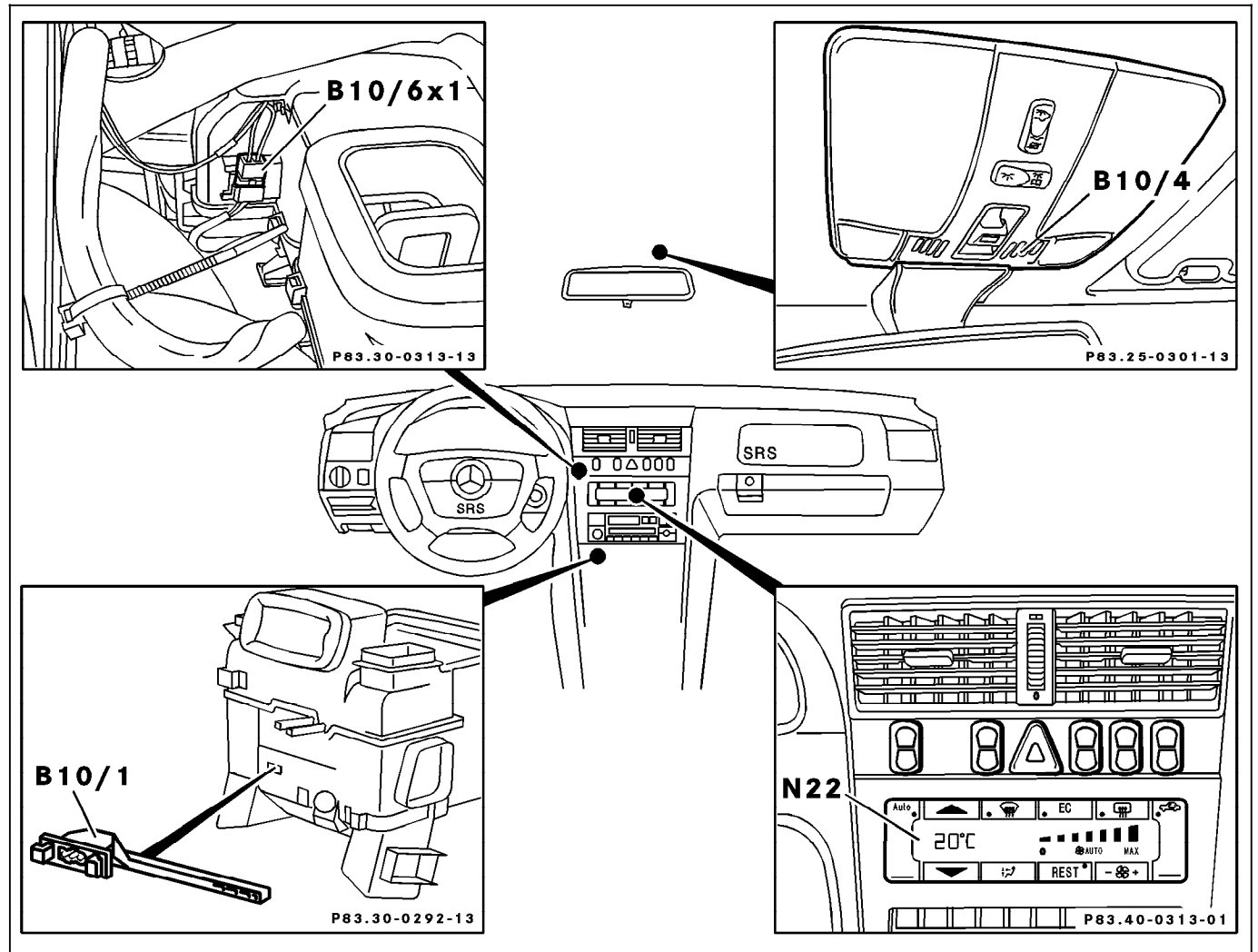


Figure 1

- B10/1 Heater core temperature sensor
- B10/4 In-car temperature sensor with aspirator
- B10/6x1 Evaporator temperature sensor connector
- N22 A/C pushbutton control module

P83.40-0325-06

Electrical Test Program – Component Locations

Component locations in engine compartment  
Model 210 shown

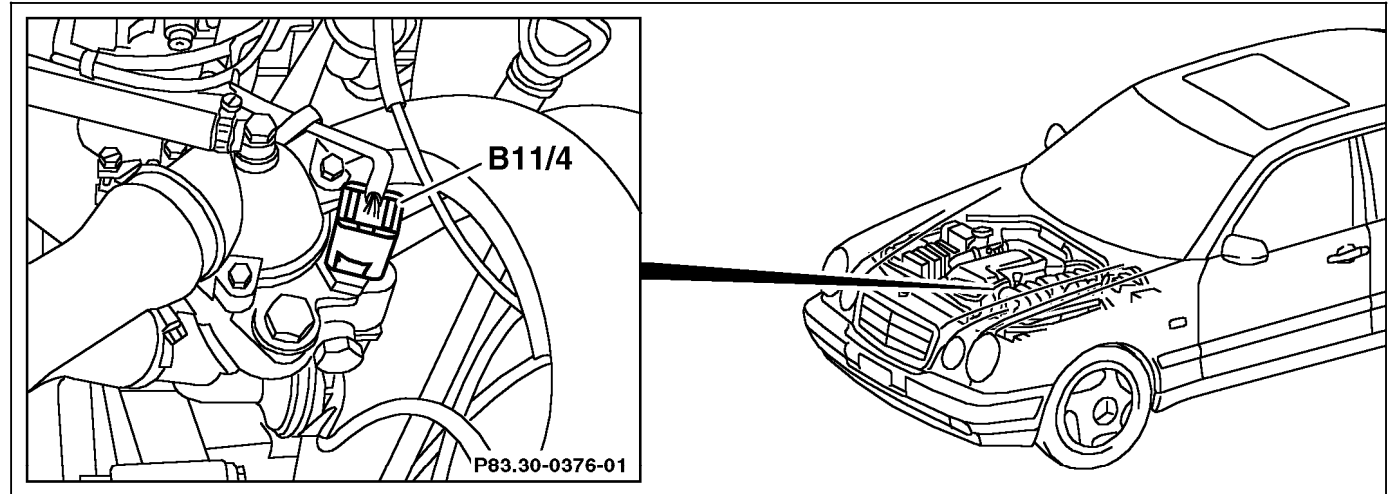


Figure 2

B11/4 CT sensor

P83.40-0457-04

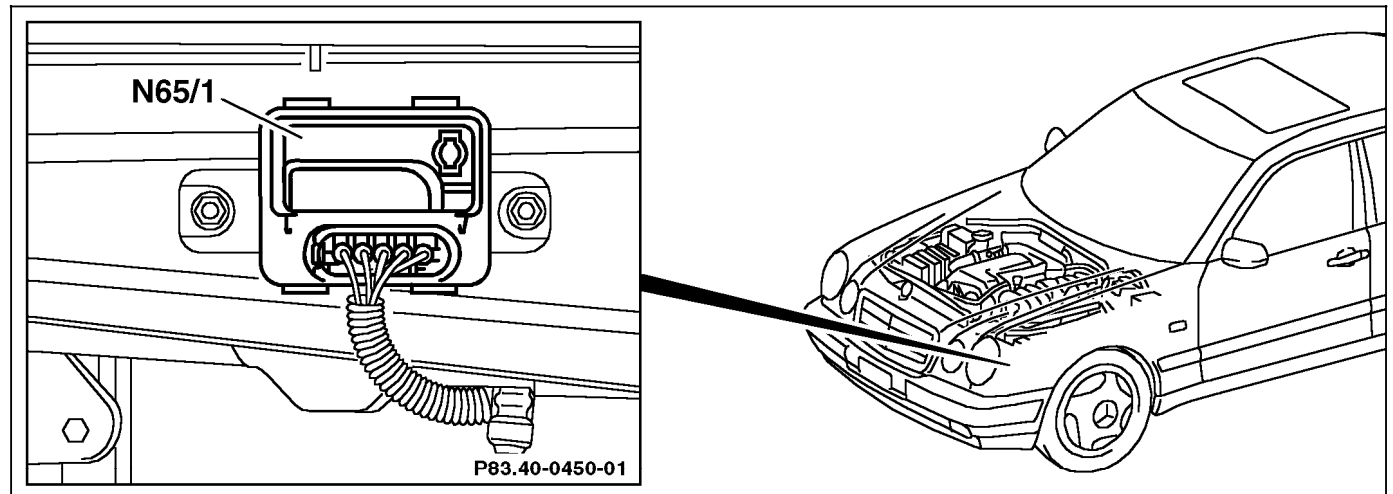


Figure 3

N65/1 AIR control module

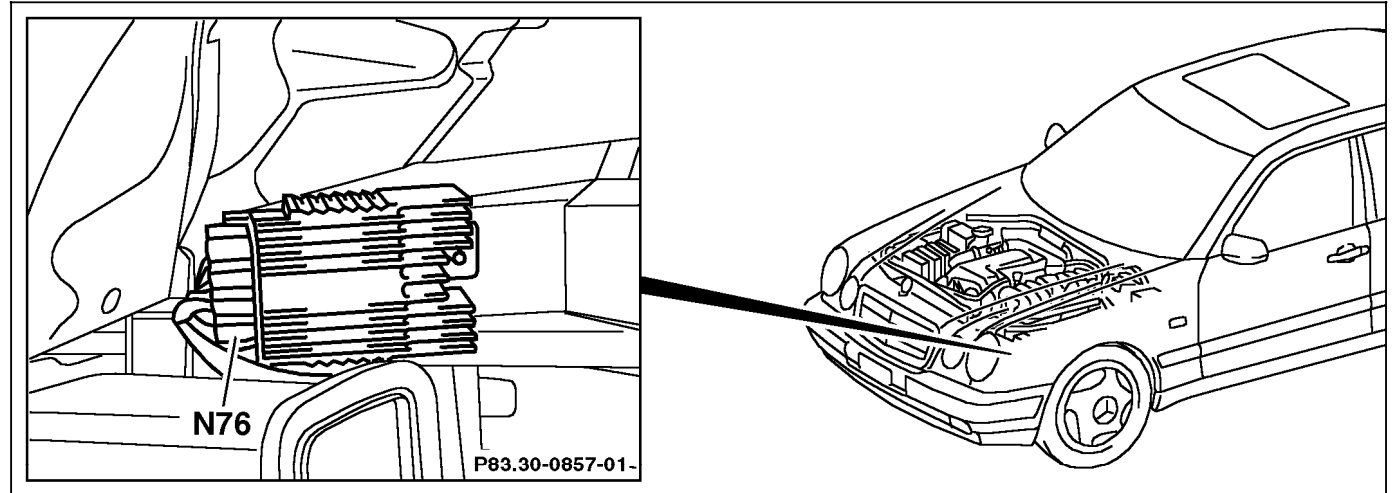
P83.40-0456-04

Electrical Test Program – Component Locations

Component locations in engine compartment  
Model 210 shown

Figure 4

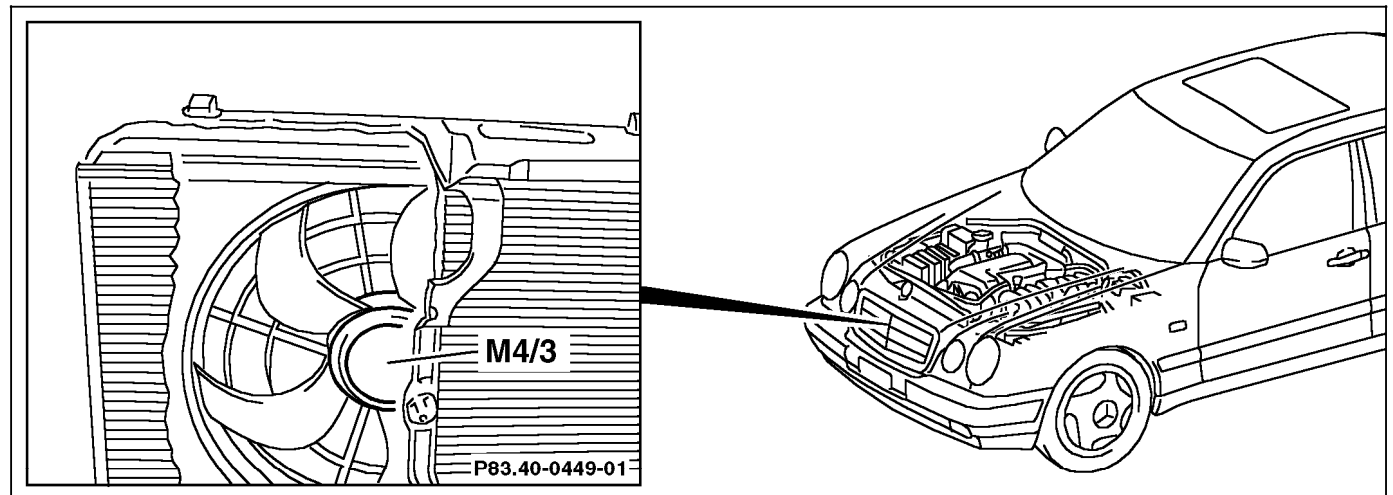
N76 Engine/climate control electric cooling fan control module



P83.40-0446-04

Figure 5

M4/3 Engine/climate control electric cooling fan



P83.40-0448-04

Electrical Test Program – Component Locations

Component locations in engine compartment  
Model 210 shown

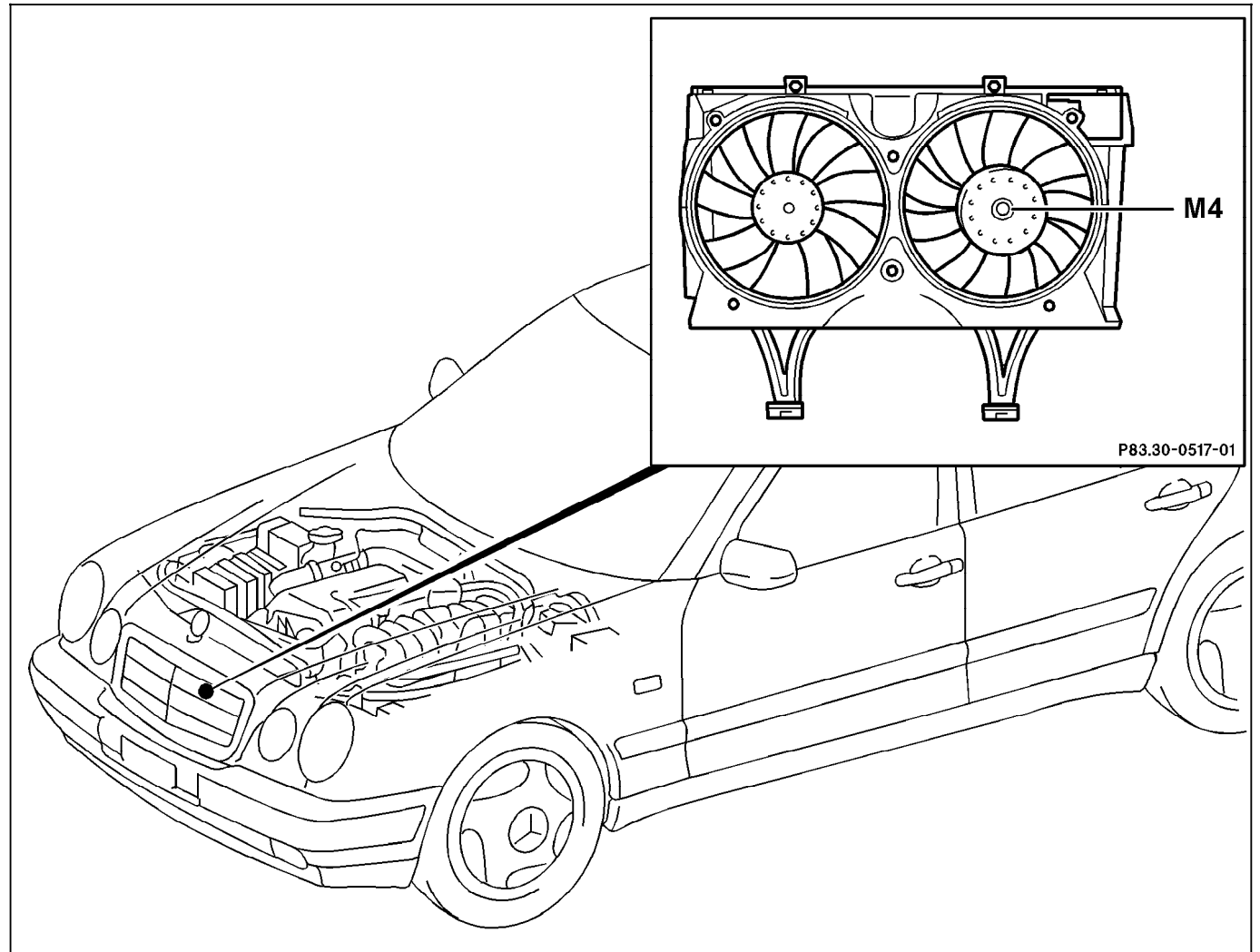


Figure 6

M4 Auxiliary fan

P83.30-0506-06

Electrical Test Program – Component Locations

Component locations in engine compartment  
Model 210 shown

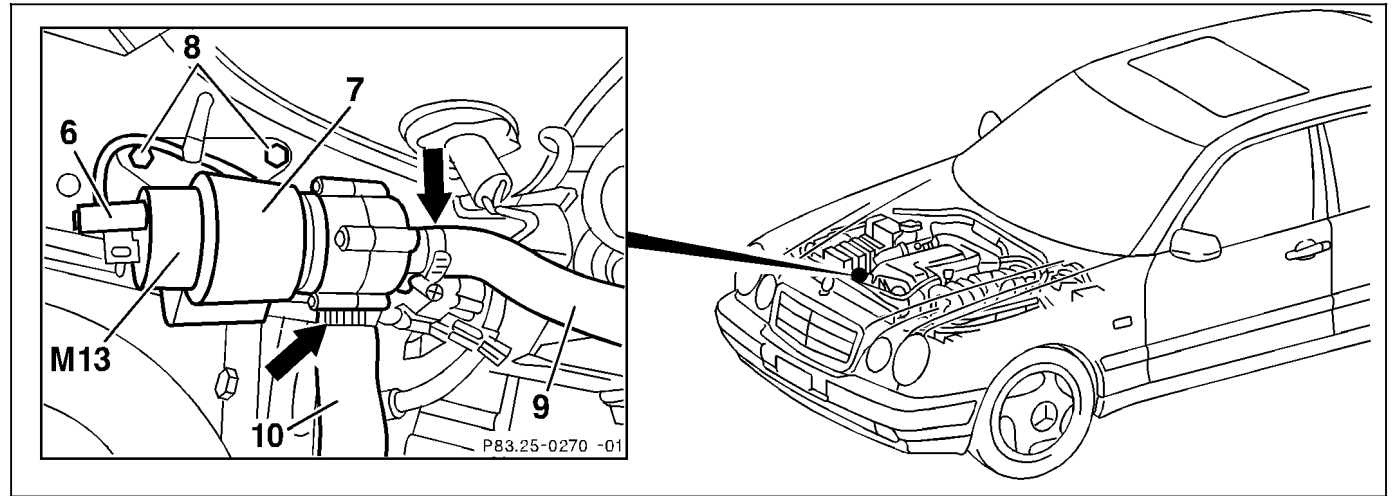


Figure 7

M13 Coolant circulation pump

P83.25-0268-04