

Refrigeration System Test Program – Component Locations

A/C Components locations

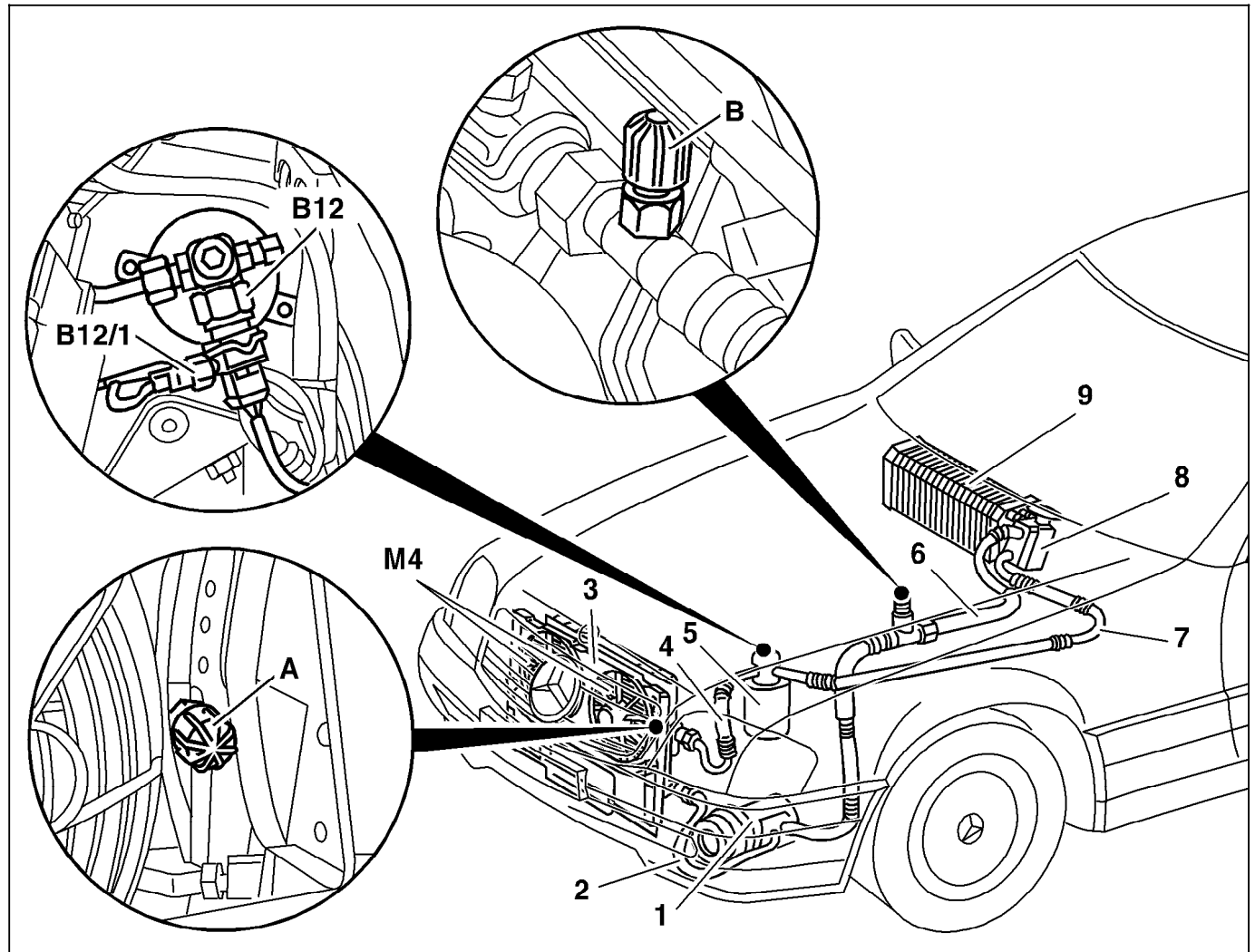


Figure 1

- A High pressure connection
- B Low pressure connection
- B12 Refrigerant pressure sensor
- B12/1 Refrigerant temperature sensor
- M4 Auxiliary fan
- 1 A/C compressor
- 2 High pressure vapor line to condenser
- 3 Condenser
- 4 High pressure liquid line to receiver/dryer
- 5 Receiver/dryer
- 7 Low pressure line to evaporator
- 8 Expansion valve
- 9 Evaporator

P83.40-2048-06