

Electrical Test Program – Preparation for Test

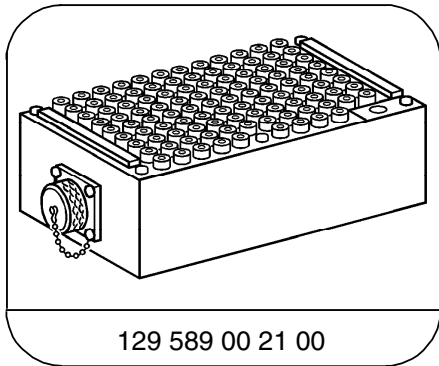
Preliminary work:  
Diagnosis - Diagnostic Trouble Code (DTC) Memory ..... 11

1. Ignition: **OFF**
2. Disconnect base module (BM, N16/1).
3. Connect socket box with contact module 1 and contact box according to connection diagram (Figure 1 or 2) on following pages.

Wiring Diagrams

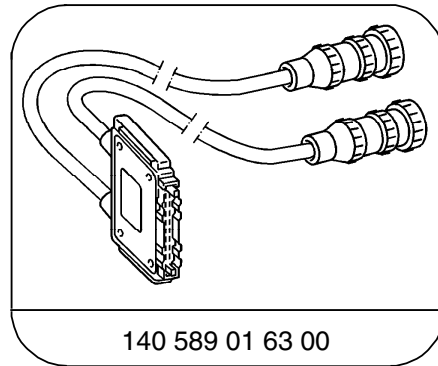
Electrical Troubleshooting Manual, Model 124, Starting M.Y. 1993,  
Electrical Troubleshooting Manual, Model 129,  
Electrical Troubleshooting Manual, Model 140.

Special Tools



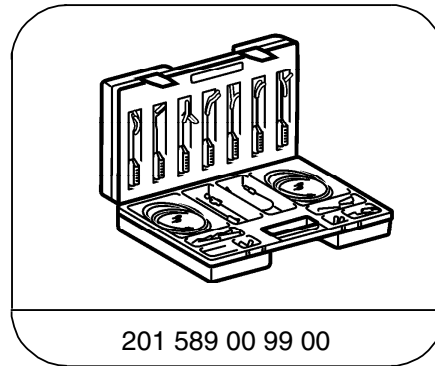
129 589 00 21 00

126-pin socket box



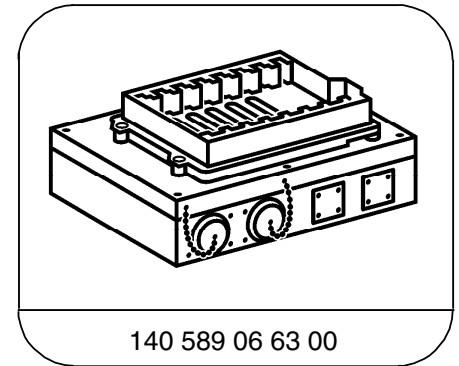
140 589 01 63 00

Contacting module 1



201 589 00 99 00

Electrical connecting set



140 589 06 63 00

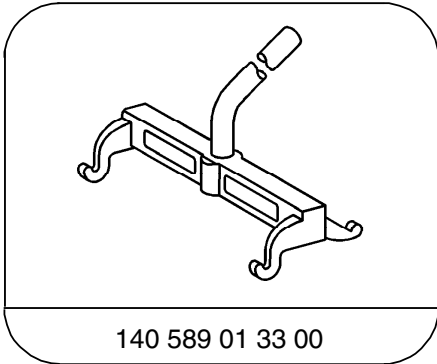
Contacting box

## 1.1 Base Module (BM)

Models 124.034/036, 129.067/076, 140 (EDS, LH-SFI, ME-SFI)

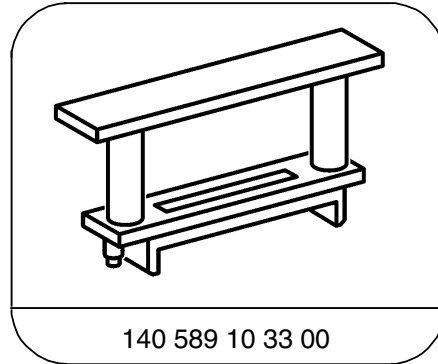
### Electrical Test Program – Preparation for Test

#### Special Tools



140 589 01 33 00

Mounting lever



140 589 10 33 00

Spacer

#### Conventional tools, test equipment

Description	Brand, model, etc.
Digital Multimeter <sup>1)</sup>	Fluke models 23, 83, 85, 87

<sup>1)</sup> Available through the MBUSA Standard Equipment Program.

# 1.1 Base Module (BM)

Models 124.034/036, 129.067/076, 140 (EDS, LH-SFI, ME-SFI)

## Electrical Test Program – Preparation for Test

### Connection Diagram – Socket Box Model 124

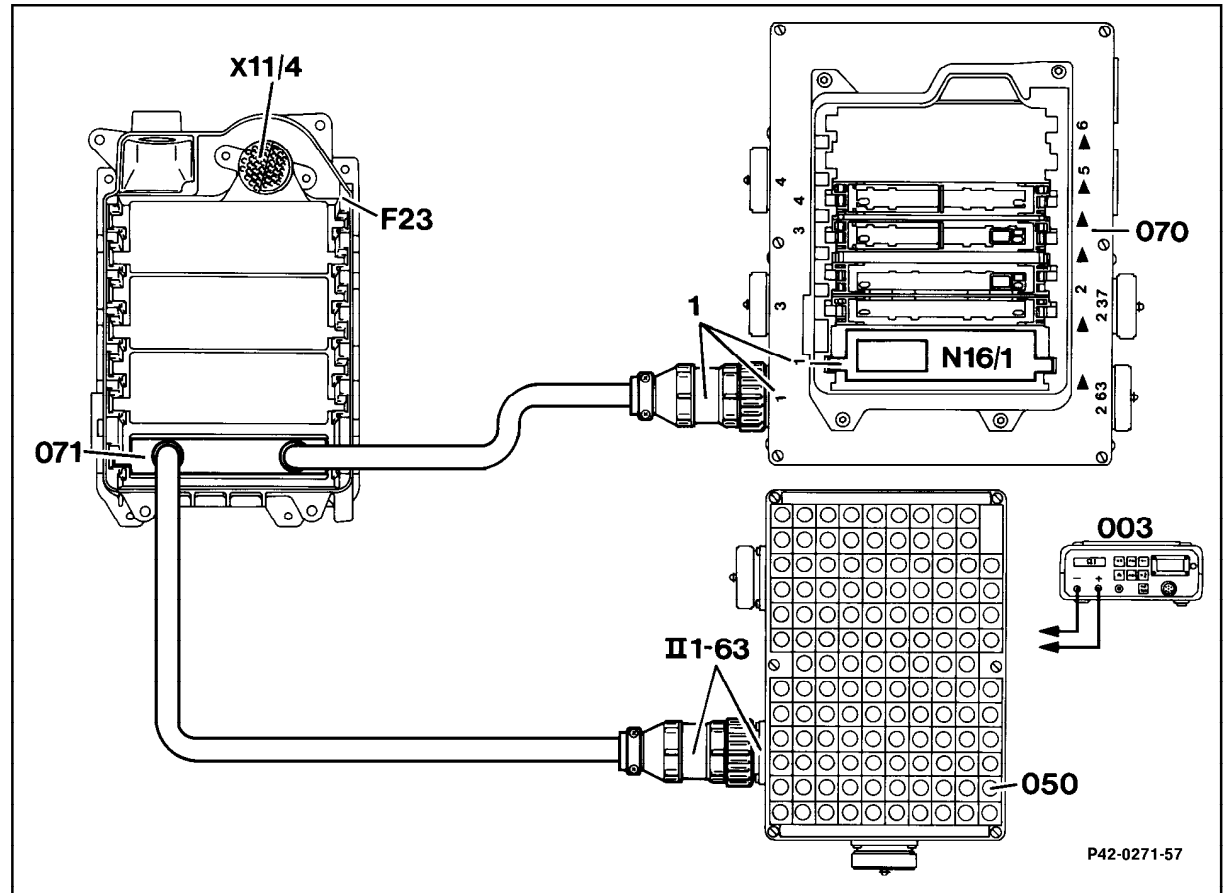


Figure 1

- 003 Multimeter
- 050 Socket box (126-pole)
- 070 Contact box
- 071 Contact module 1
- F23 Module box
- N16/1 Base module (BM)
- X11/4 Data link connector (DTC readout)

P42-0271-57

# 1.1 Base Module (BM)

Models 124.034/036, 129.067/076, 140 (EDS, LH-SFI, ME-SFI)

## Electrical Test Program – Preparation for Test

### Connection Diagram – Socket Box Model 129

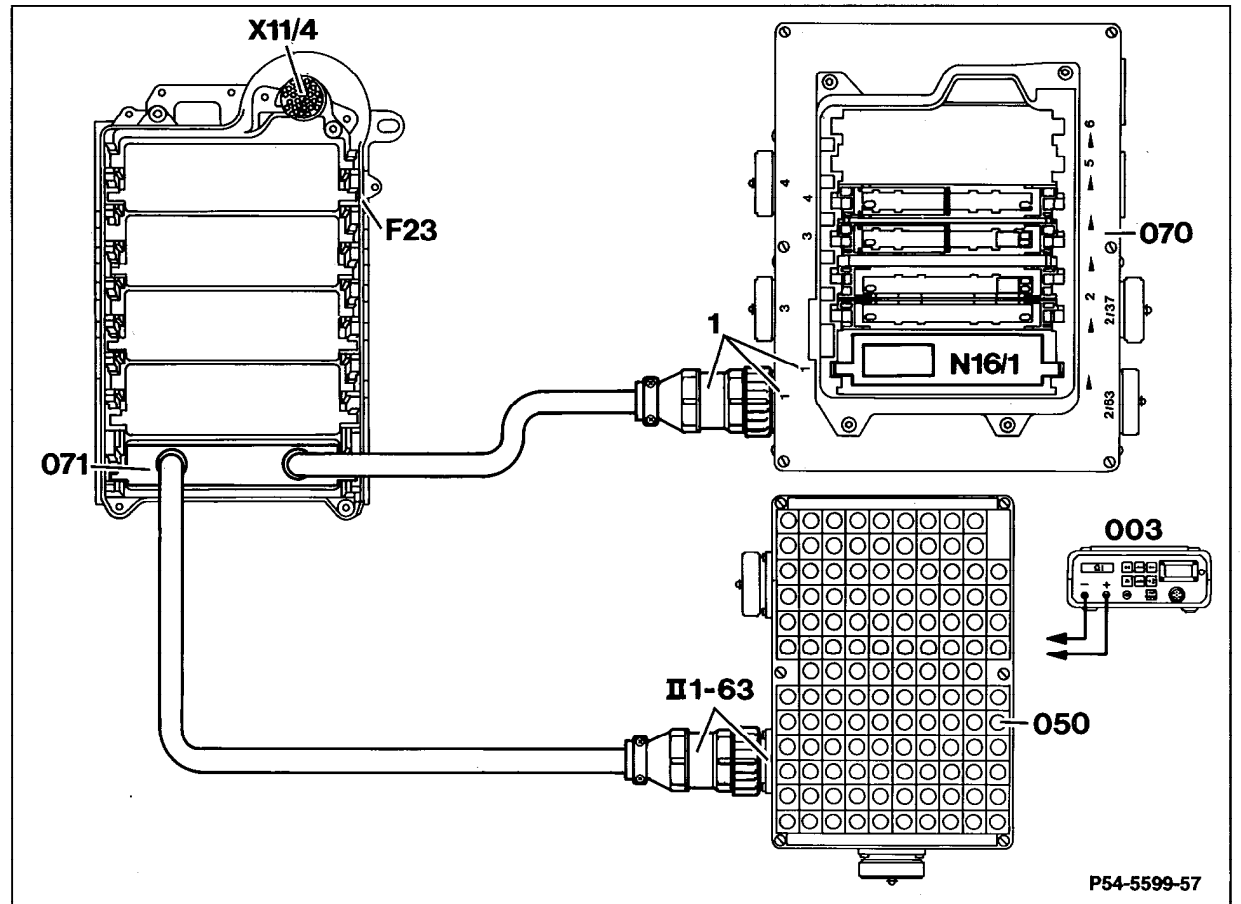


Figure 2

- 003 Multimeter
- 050 Socket box (126-pole)
- 070 Contact box
- 071 Contact module 1
- F23 Module box
- N16/1 Base module (BM)
- X11/4 Data link connector (DTC readout)

P54-5599-57

P54-5599-57

# 1.1 Base Module (BM)

Models 124.034/036, 129.067/076, 140 (EDS, LH-SFI, ME-SFI)

## Electrical Test Program – Preparation for Test

Connection Diagram – Socket Box  
Model 140

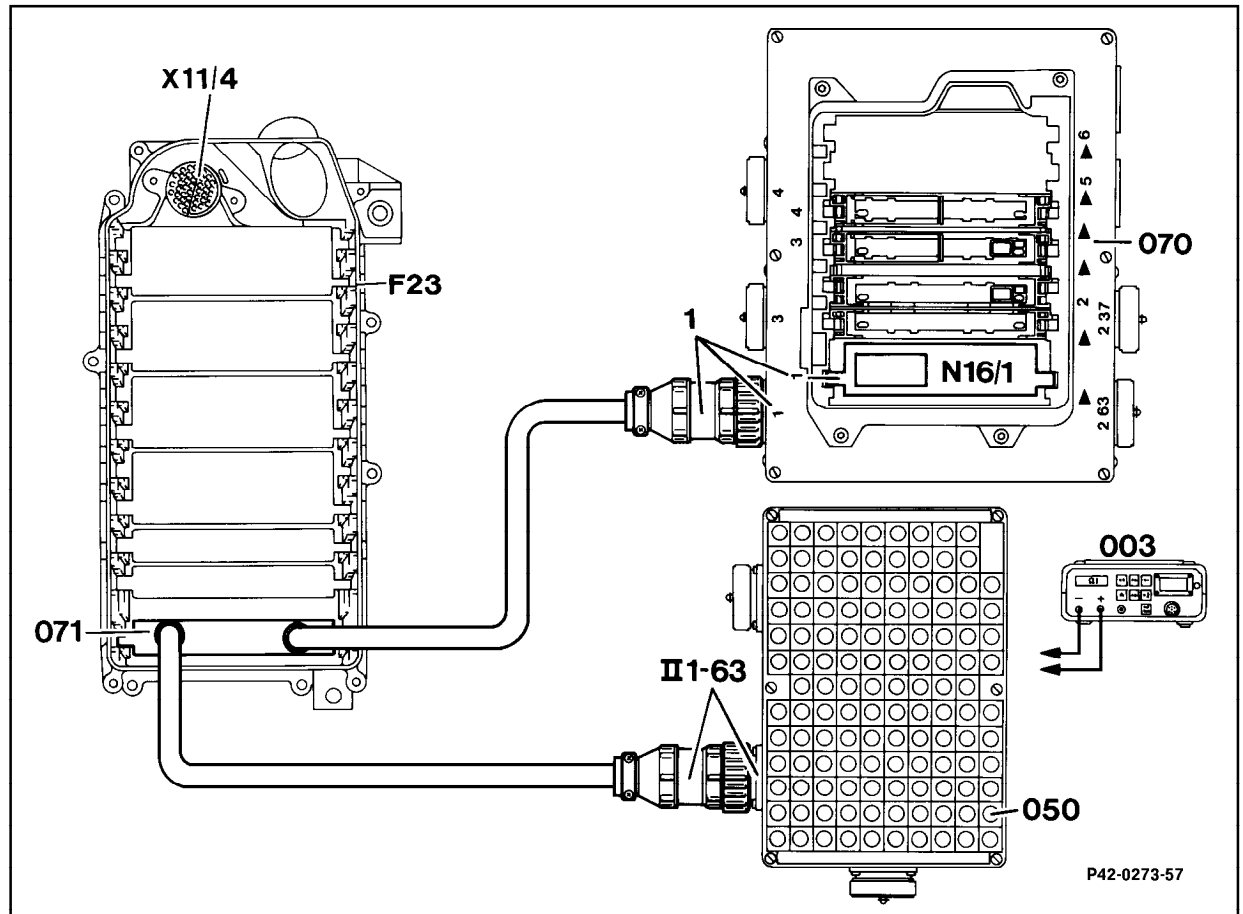


Figure 3

- 003 Multimeter
- 050 Socket box (126-pole)
- 070 Contact box
- 071 Contact module 1
- F23 Module box
- N16/1 Base module (BM)
- X11/4 Data link connector

P42-0273-57

P42-0273-57