

1.2 Base Module (BM)

Models 129 and 140 with HFM-SFI

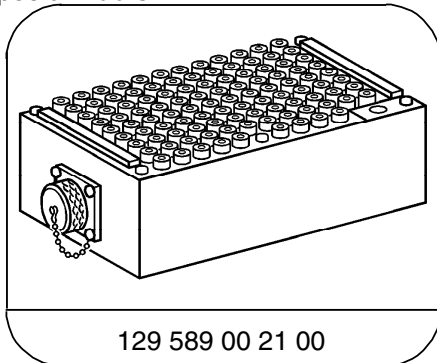
Electrical Test Program - Preparation for Test

Preliminary work:

Diagnosis - Diagnostic Trouble Code (DTC) Memory 11

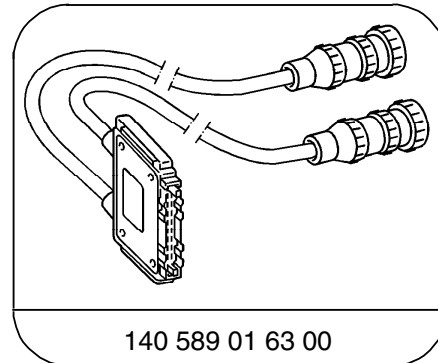
1. Ignition: **OFF**
2. Disconnect base module (BM, N16/1).
3. Connect socket box with contact module 1 and contact box according to connection diagram (Figure 1 or 2) on following pages.

Special Tools



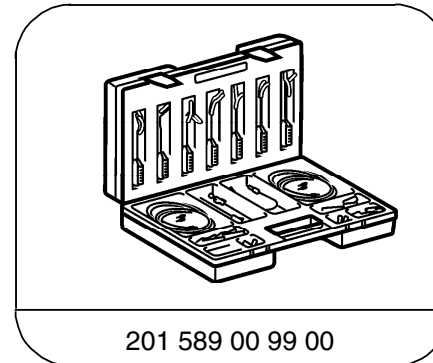
129 589 00 21 00

126-pin socket box



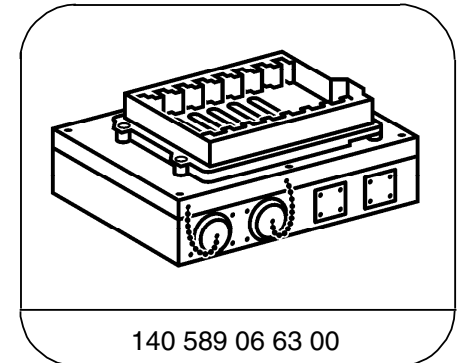
140 589 01 63 00

Contacting module 1



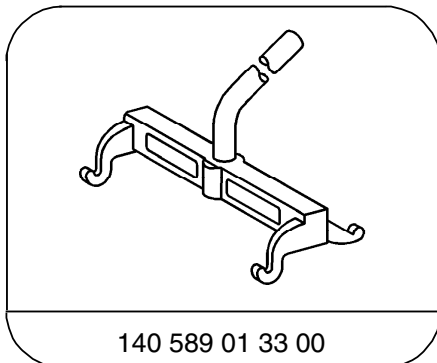
201 589 00 99 00

Electrical connecting set



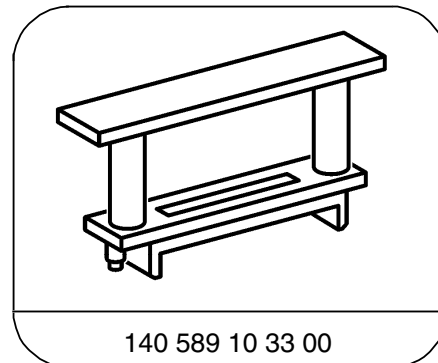
140 589 06 63 00

Contacting box



140 589 01 33 00

Mounting lever



140 589 10 33 00

Spacer

Wiring Diagrams

Electrical Troubleshooting Manual, Model 129

Electrical Troubleshooting Manual, Model 140

Equipment

Digital multimeter ¹⁾

Fluke model 23, 83, 85, 87

¹⁾ Available through the MBUSA Standard Equipment Program.

Electrical Test Program - Preparation for Test

Connection Diagram - Socket Box
Model 129

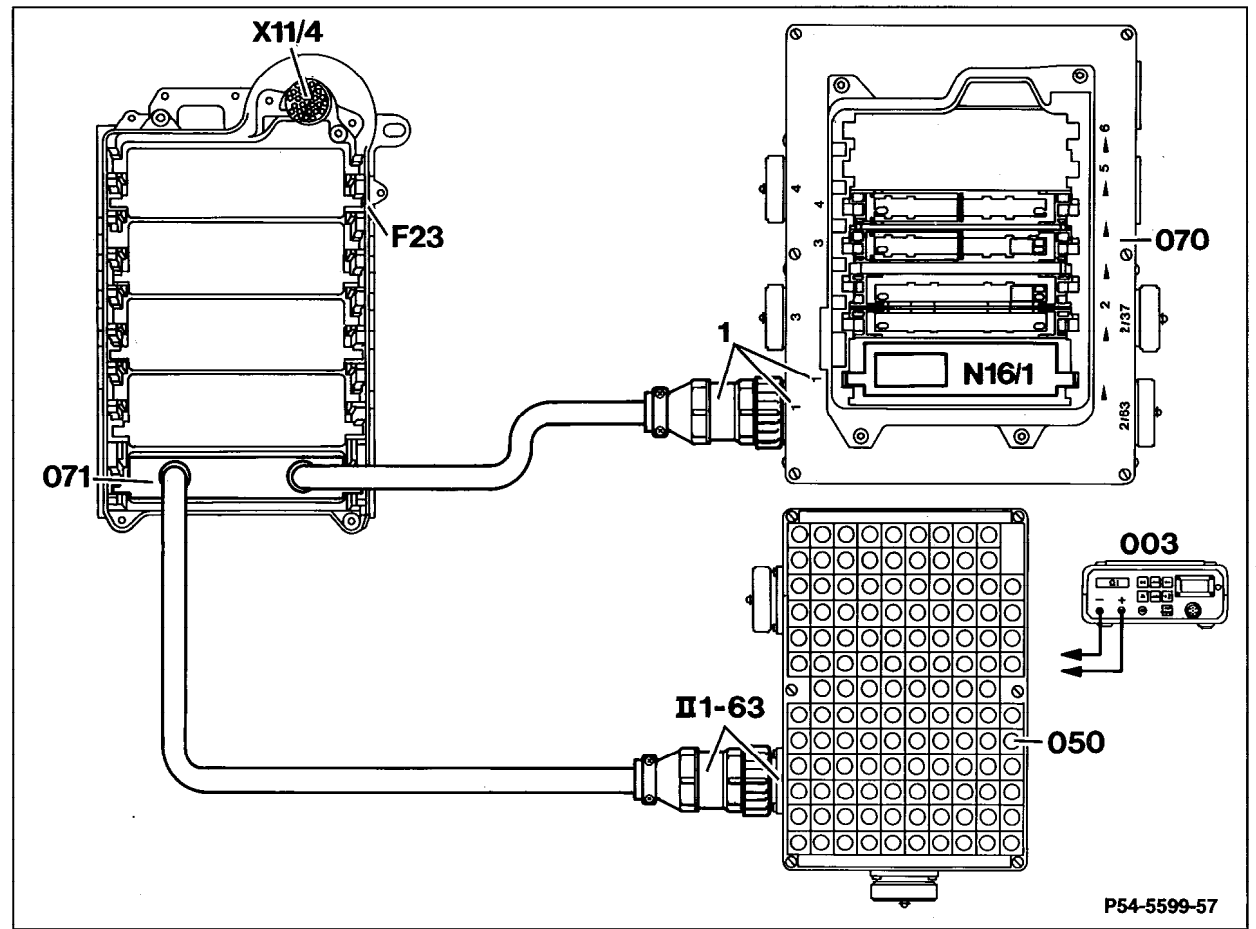


Figure 1

- 003 Multimeter
- 050 Socket box
- 070 Contact box
- 071 Contact module 1
- F23 Module box
- N16/1 Base module
- X11/4 Data link connector (DTC readout)

P54-5599-57

P54-5599-57

Electrical Test Program - Preparation for Test

Connection Diagram - Socket Box
Model 140

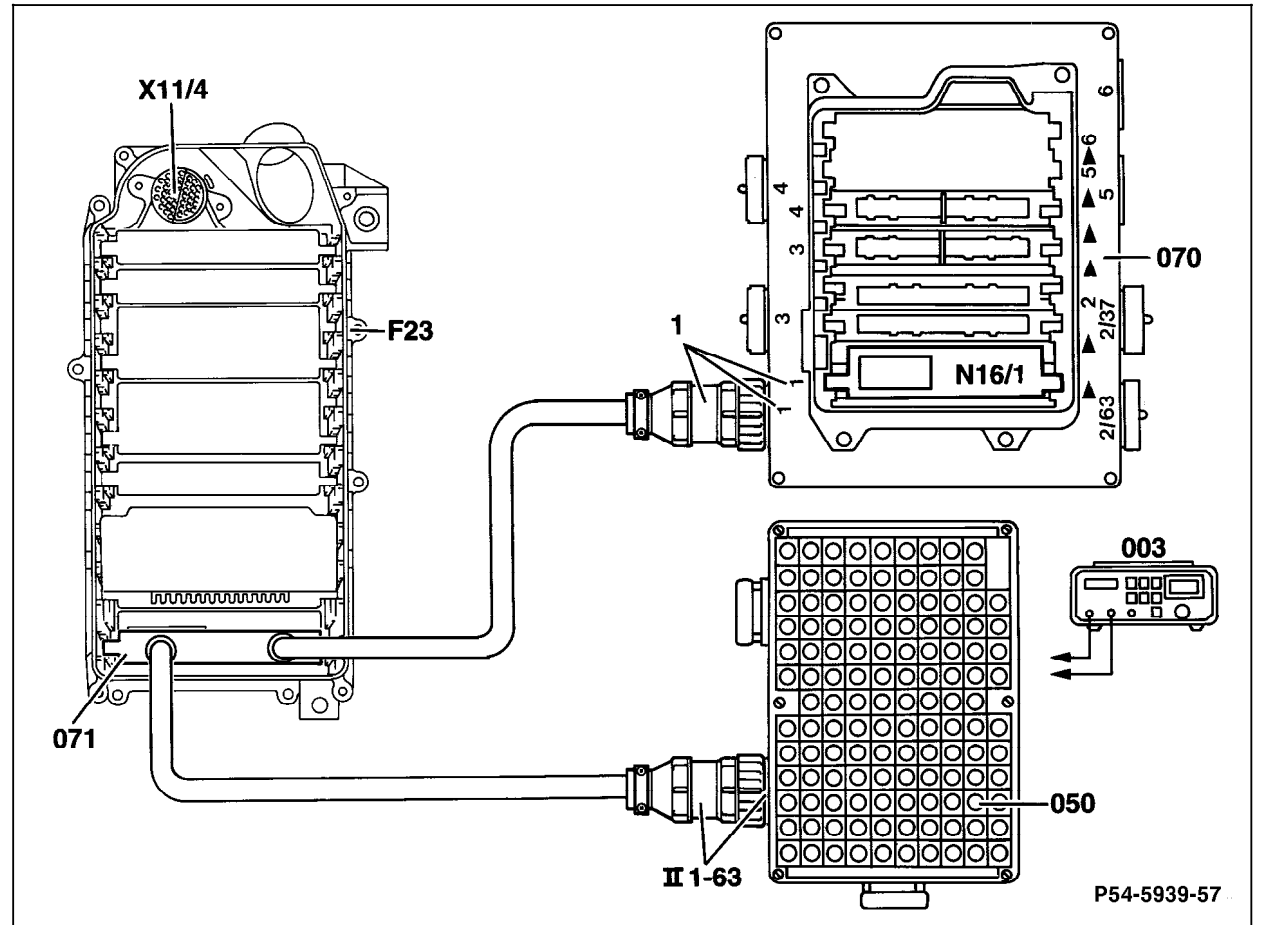


Figure 3

- 003 Multimeter
- 050 Socket box
- 070 Contact box
- 071 Contact module 1
- F23 Module box
- N16/1 Base module
- X11/4 Data link connector

P54-5939-57