

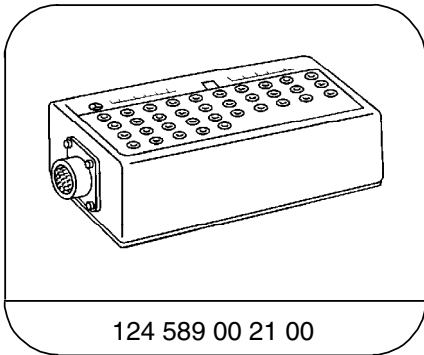
### Electrical Test Program - Preparation for Test

1. Ignition: **OFF**
2. Disconnect ADS control module (N51).
3. Connect socket box and test cable to ADS control module (N51) according to connection diagram on following page.

#### Electrical wiring diagrams:

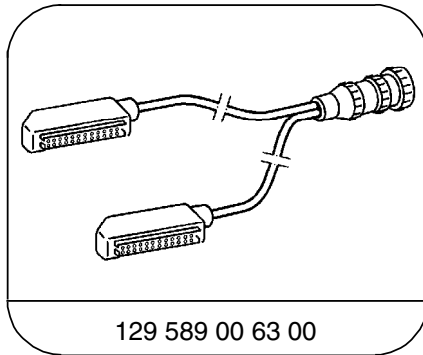
Electrical Troubleshooting Manual, Model 129.

#### Special Tools



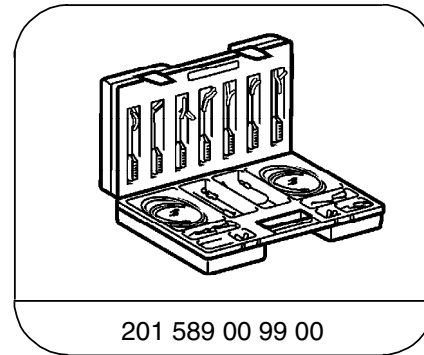
124 589 00 21 00

35-pin socket box



129 589 00 63 00

35-pin test cable



201 589 00 99 00

Electrical connecting set

#### Equipment

Digital multimeter <sup>1)</sup>

Fluke models 23, 83, 85, 87

<sup>1)</sup> Available through the MBUSA Standard Equipment Program.

#### Electrical Test Program - Preparation for Test

#### Connection Diagram - Socket Box

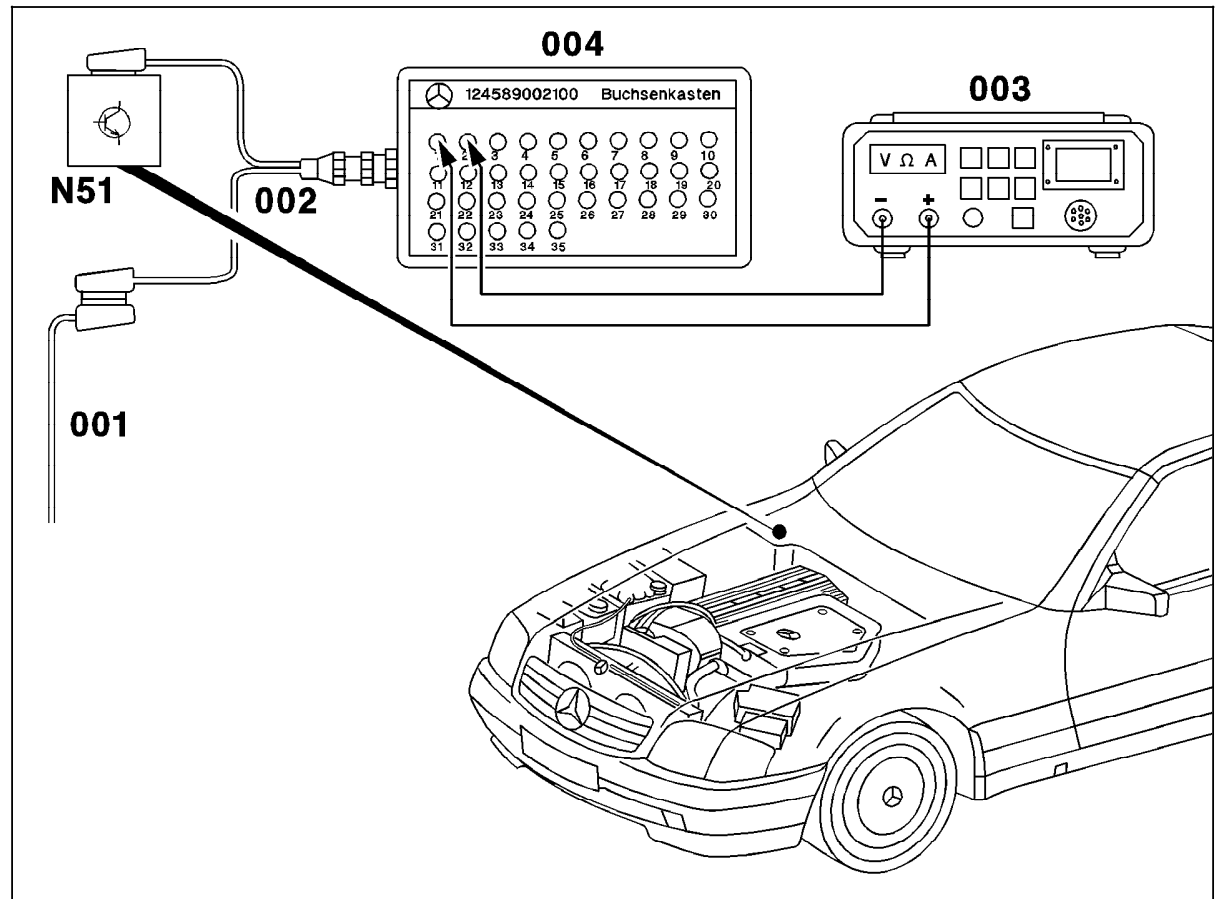


Figure 1

- 001 ADS control module connector
- 002 Test cable
- 003 Digital multimeter
- 004 Socket box (35-pole)
- N51 ADS control module

P32-5300-57

#### Electrical Test Program - Preparation for Test

#### Connection Diagram - Signal Generator

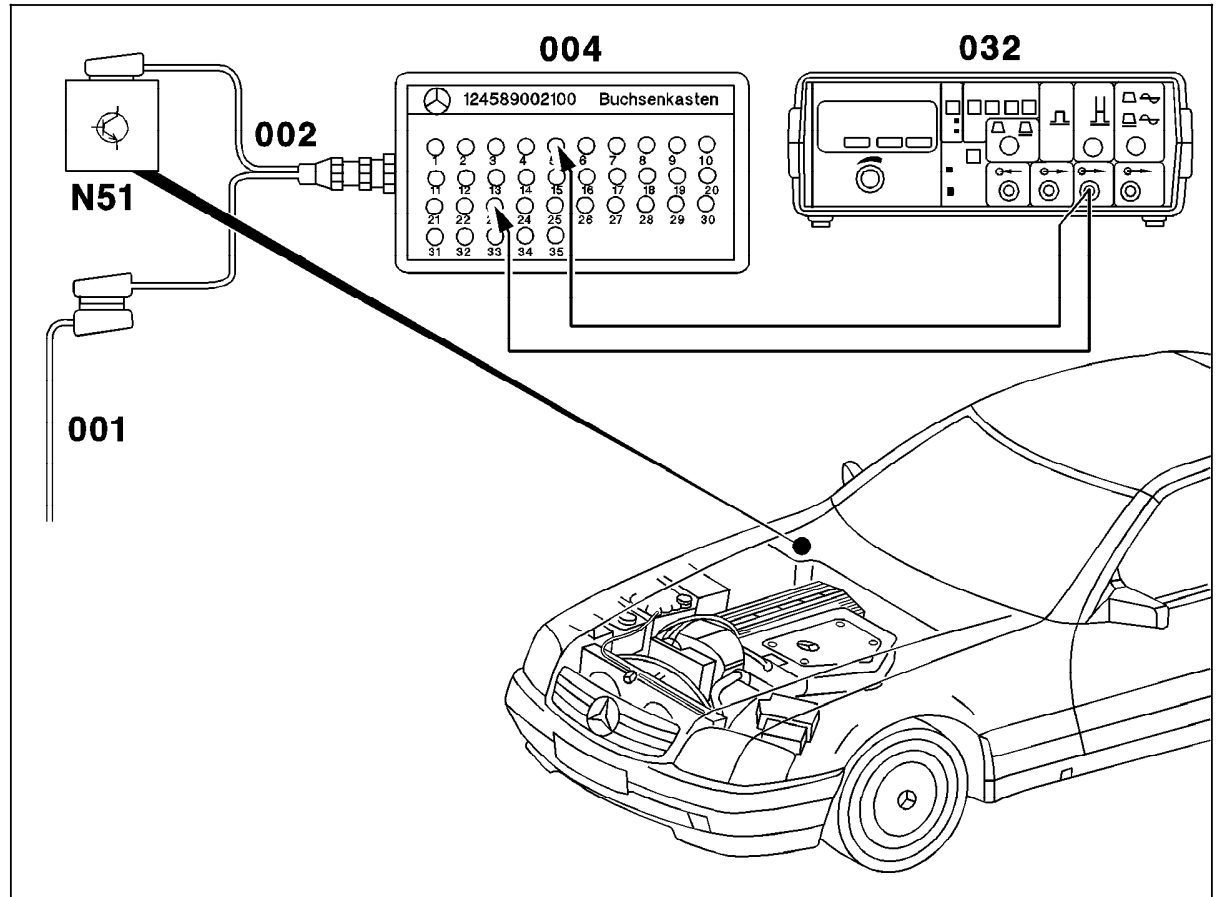


Figure 2

- 001 ADS control module connector
- 002 Test cable
- 003 Digital multimeter
- 004 Socket box (35-pole)
- 032 Signal generator
- N51 ADS control module

P32-5299-57