

### 3.3 Adaptive Damping System (ADS II)

#### Electrical Test Program - Component Locations

##### Electrical Components in Passenger Compartment

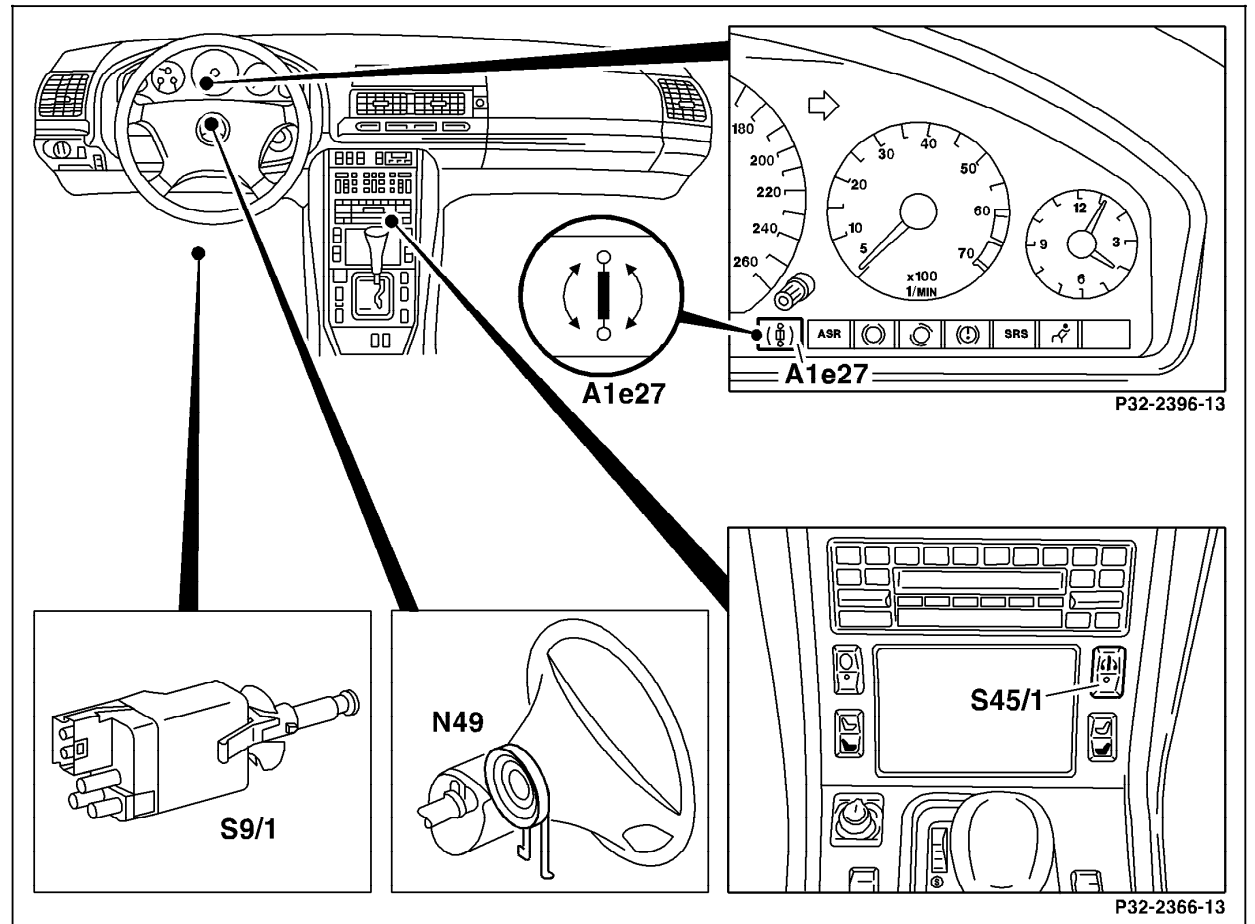


Figure 1

- A1e27 ADS MIL
- N49 Steering angle sensor
- S9/1 Stop lamp switch
- S45/1 Comfort/sport switch

P32.32-0257-06

### 3.3 Adaptive Damping System (ADS II)

#### Electrical Test Program - Component Locations

##### Electrical Components in Engine Compartment and on Chassis

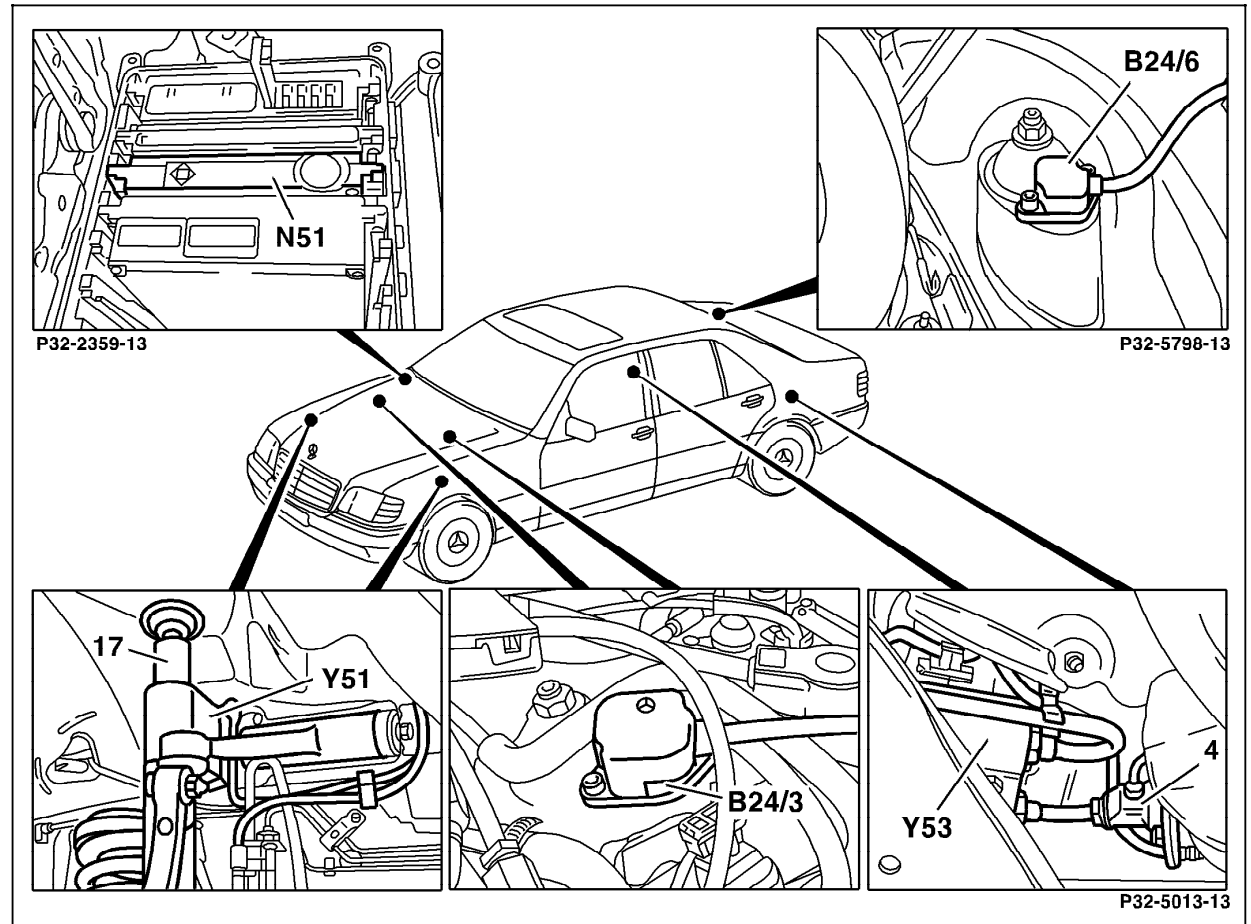


Figure 2

- B24/3 Left front body acceleration sensor
- B24/4 Right front body acceleration sensor  
(mirror image of B24/3)
- B24/6 Right rear body acceleration sensor
- N51 ADS control module
- Y51 Left front axle damper valve assembly
- Y52 Right front axle damper valve assembly  
(mirror image of Y51)
- Y53 Left rear axle damper valve assembly
- Y54 Right rear axle damper valve assembly  
(mirror image of Y53)

P32.32-0258-06