

Electrical Test Program - Preparation for Test

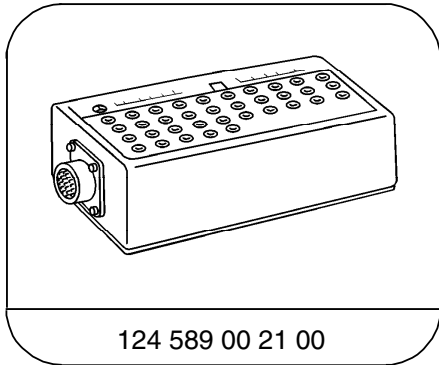
Preliminary work:
 Diagnosis - Diagnostic Trouble Code (DTC) Memory 11

1. Ignition: **OFF**
2. Remove plastic cover.
3. Disconnect ASD control module (N30/2).
3. Connect socket box (04) with test cable (02) according to connection diagram.

Electrical Wiring Diagrams:

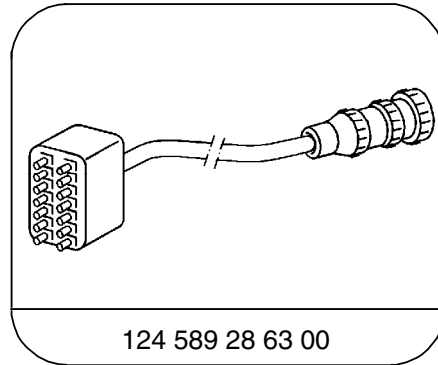
Electrical Troubleshooting Manual, Model 124
 Electrical Troubleshooting Manual, Model 129
 Electrical Troubleshooting Manual, Model 201

Special Tools



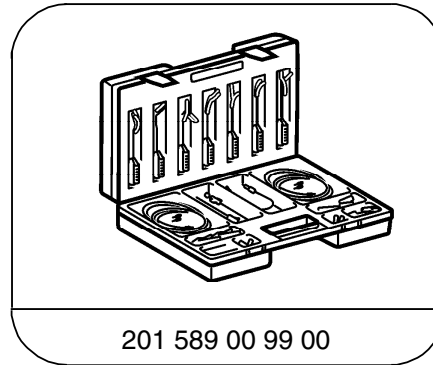
124 589 00 21 00

35-pin socket box



124 589 28 63 00

Test cable



201 589 00 99 00

Electrical connecting set

Equipment

Digital multimeter ¹⁾

Fluke models 23, 83, 85, 87

¹⁾ Available through the MBUSA Standard Equipment Program.

Electrical Test Program - Preparation for Test

Connection Diagram - Socket Box
Model 124

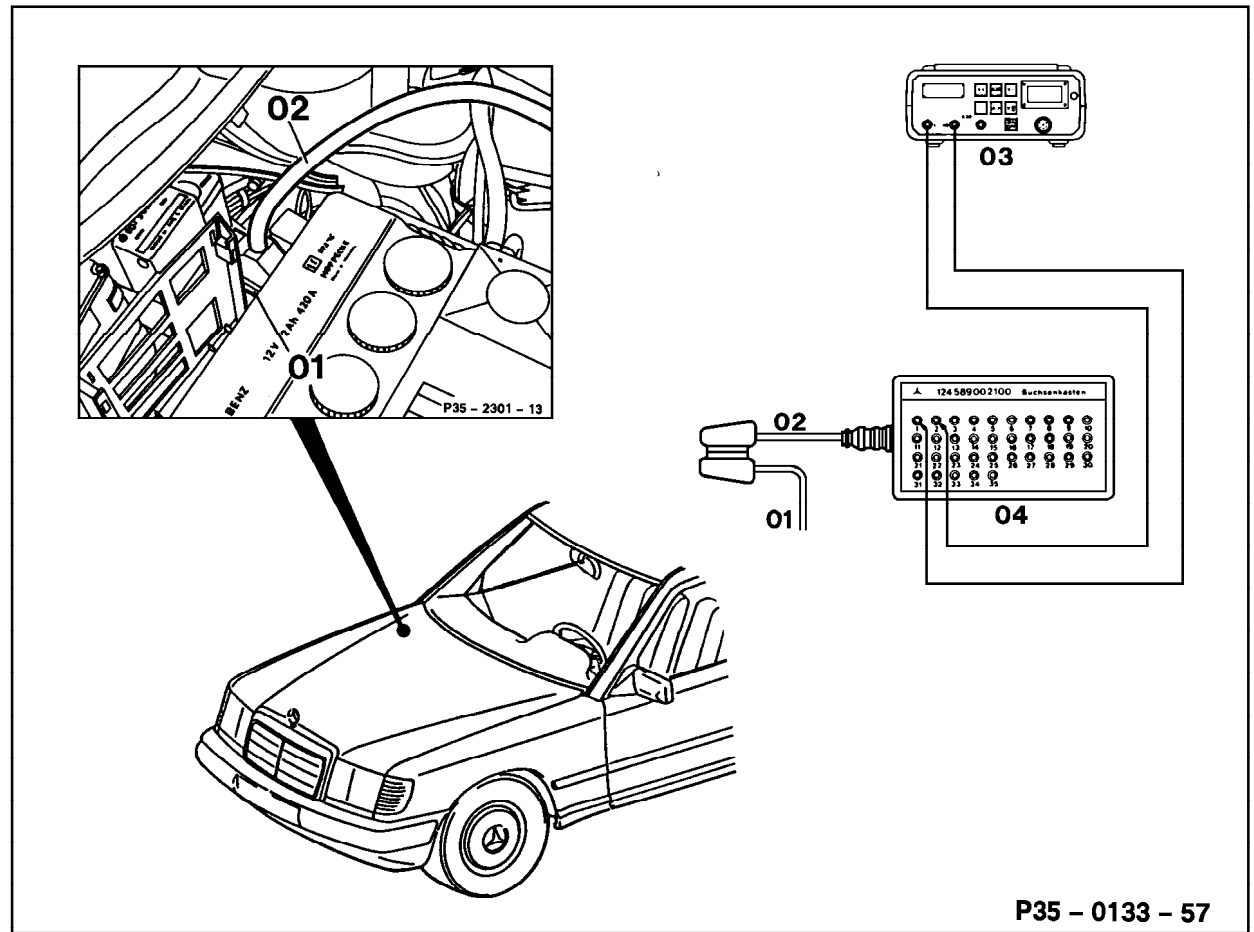


Figure 1

- 01 ASD control module connector
- 02 Test cable
- 03 Digital multimeter
- 04 Socket box (35-pole)

P35-0133-57

Electrical Test Program - Preparation for Test

Connection Diagram - Socket Box
Model 129

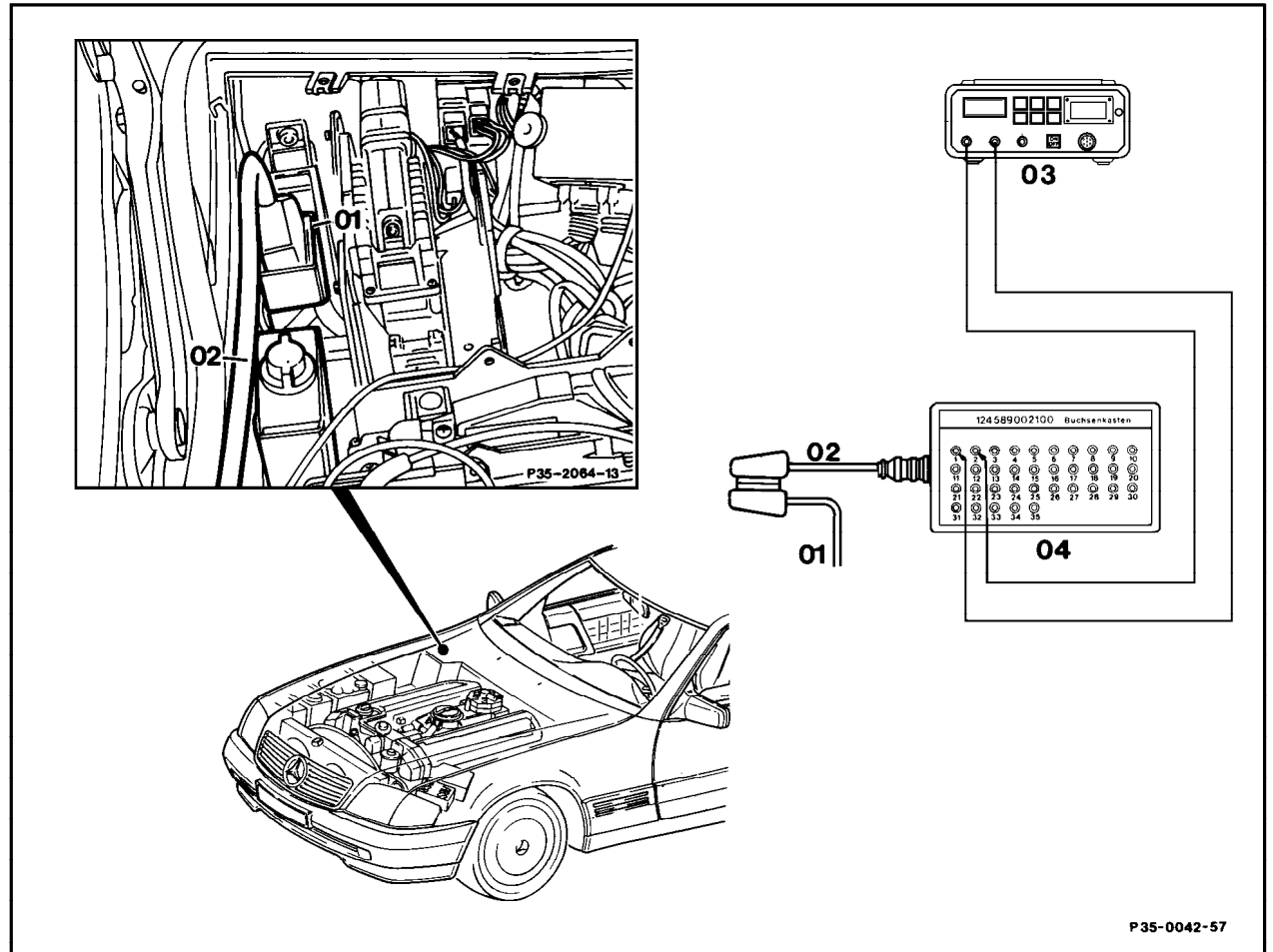


Figure 2

- 01 ASD control module connector
- 02 Test cable
- 03 Multimeter
- 04 Socket box (35-pole)

Electrical Test Program - Preparation for Test

Connection Diagram - Socket Box
Model 201

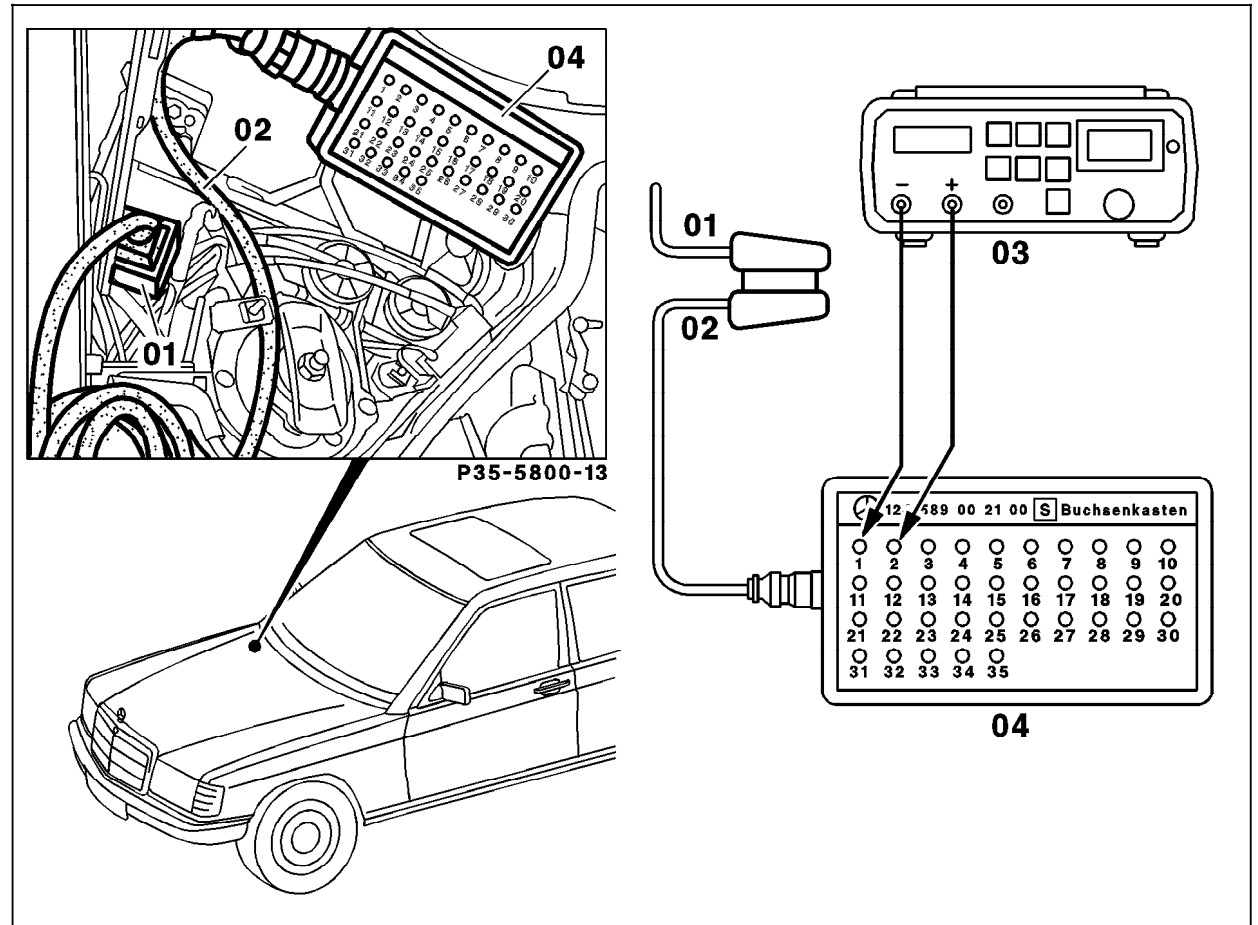


Figure 3

- 01 ASD control module connector
- 02 Test cable
- 03 Multimeter
- 04 Socket box (35-pole)

P35-5781-57