

Mechanical Test Program - Component Locations

Mechanical Components

Shown on Model 129

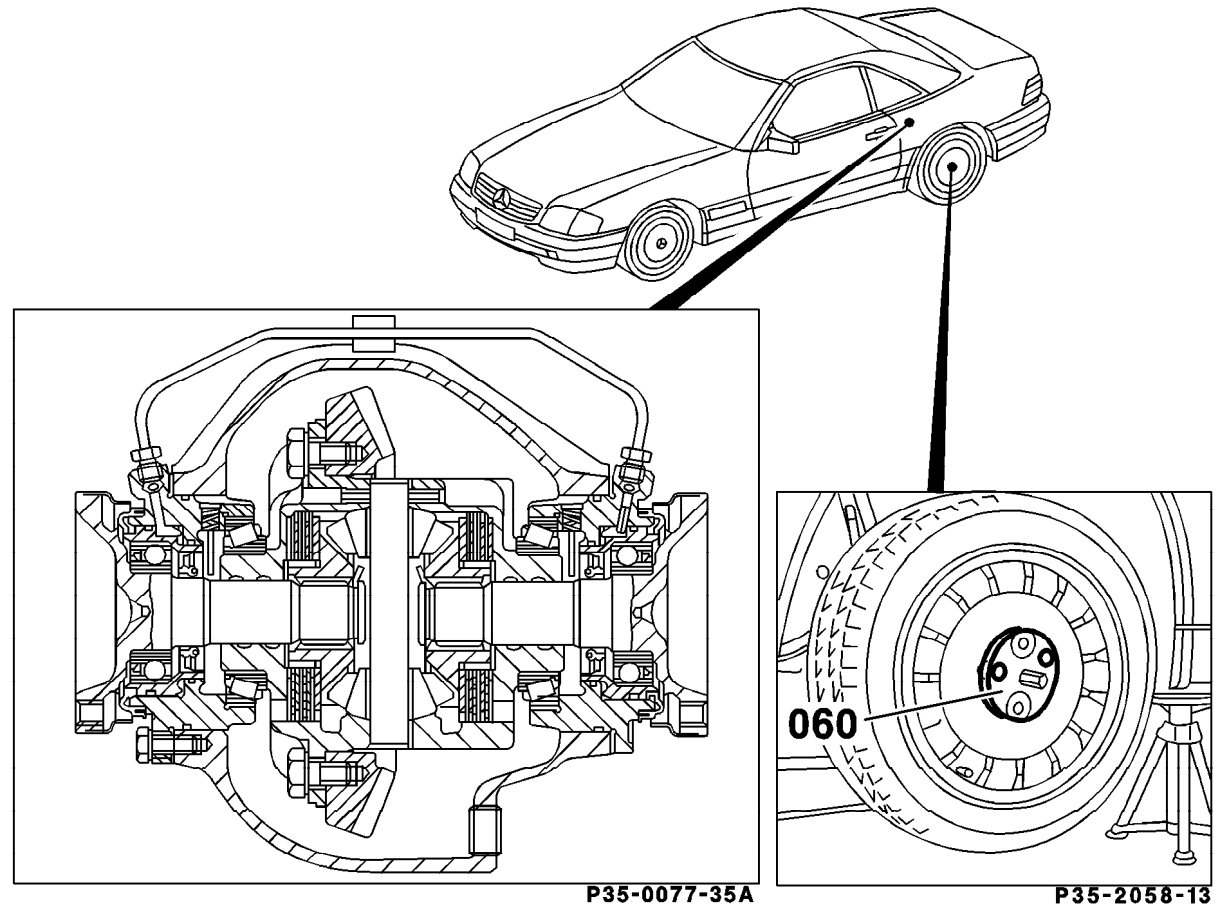


Figure 1

060 Frictional torque measurement adaptor plate

P35-5824-57