

### Electrical Test Program - Component Locations

#### Electrical Components in Engine Compartment and Passenger Compartment Model 140

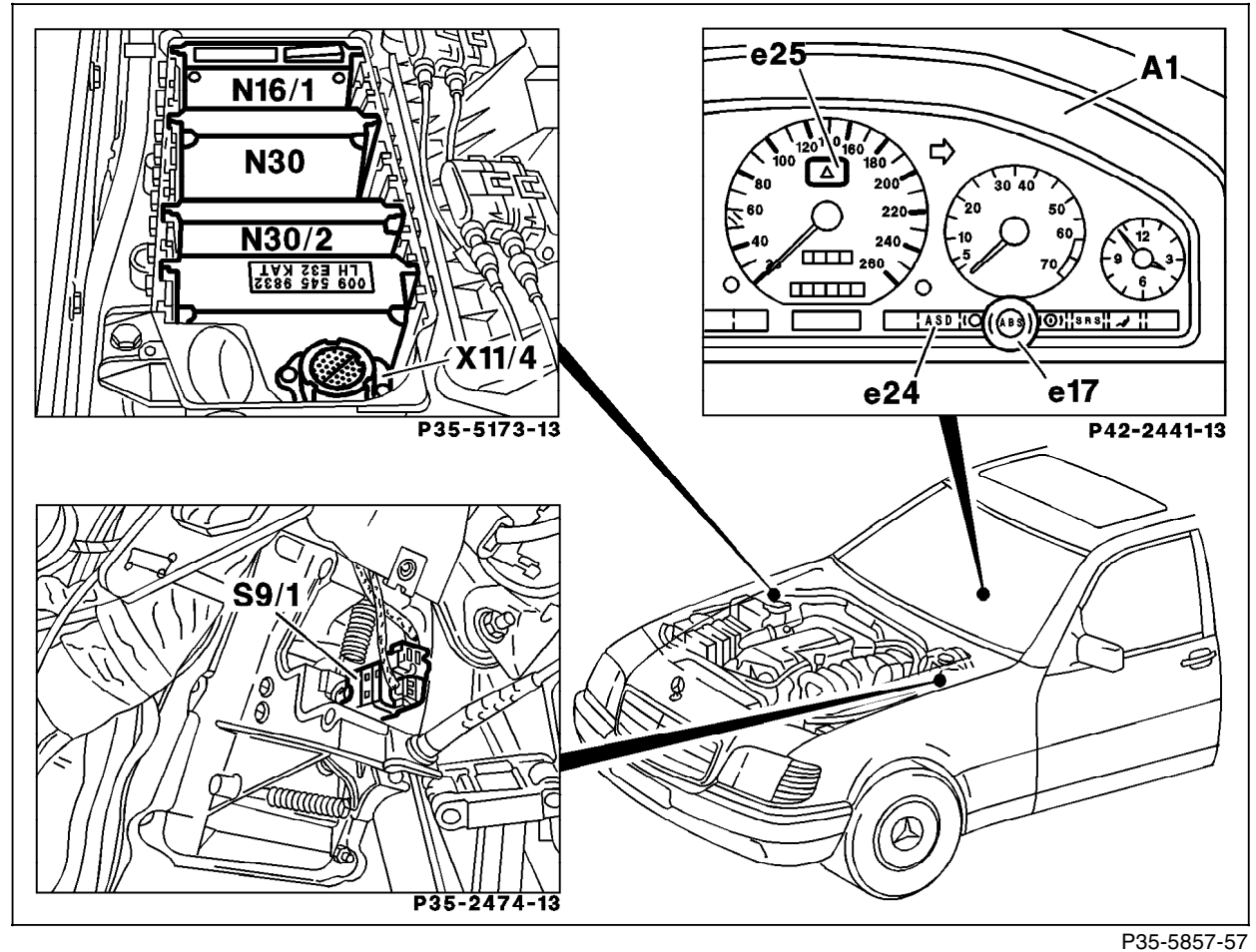


Figure 3

A1	Instrument cluster
A1e17	ABS MIL
A1e24	ASD MIL
A1e25	ASD warning lamp
N16/1	Base module
N30	ABS control module
N30/2	ASD control module
S9/1	Stop lamp switch (4-pole)
X11/4	Data link connector

### Electrical Test Program - Component Locations

Electrical Components in Right Rear Chassis,  
on Front and Rear Axles  
Model 140 (→ 05/92)  
ASD with pressure reservoir

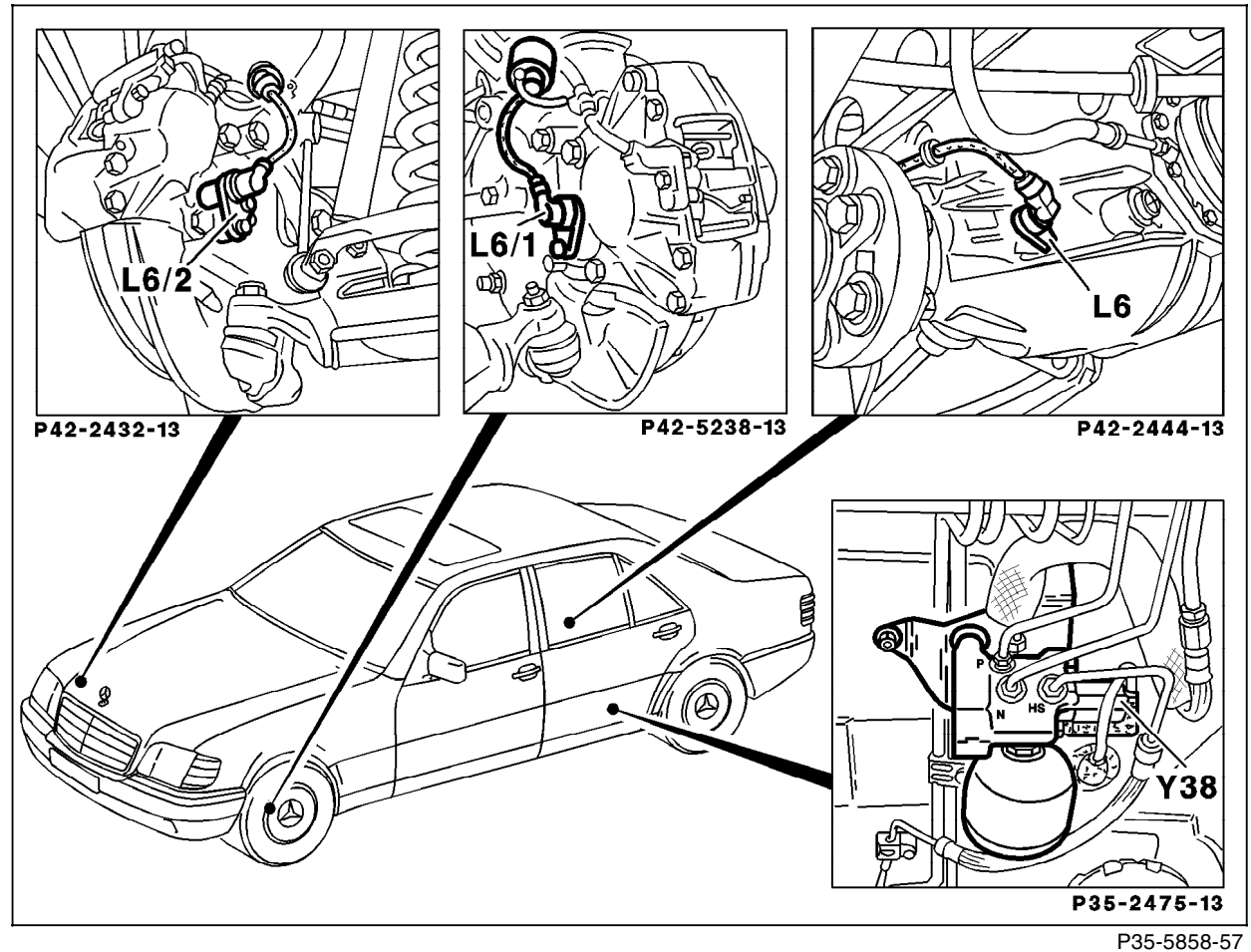


Figure 4

- L6 Rear axle VSS sensor
- L6/1 Left front axle VSS sensor
- L6/2 Right front wheel VSS sensor (not shown)
- Y38 ASD valve

Electrical Test Program - Component Locations

Electrical Components in Right Rear Chassis,  
on Front and Rear Axles  
Model 140 (06/92 →)  
ASD without pressure reservoir

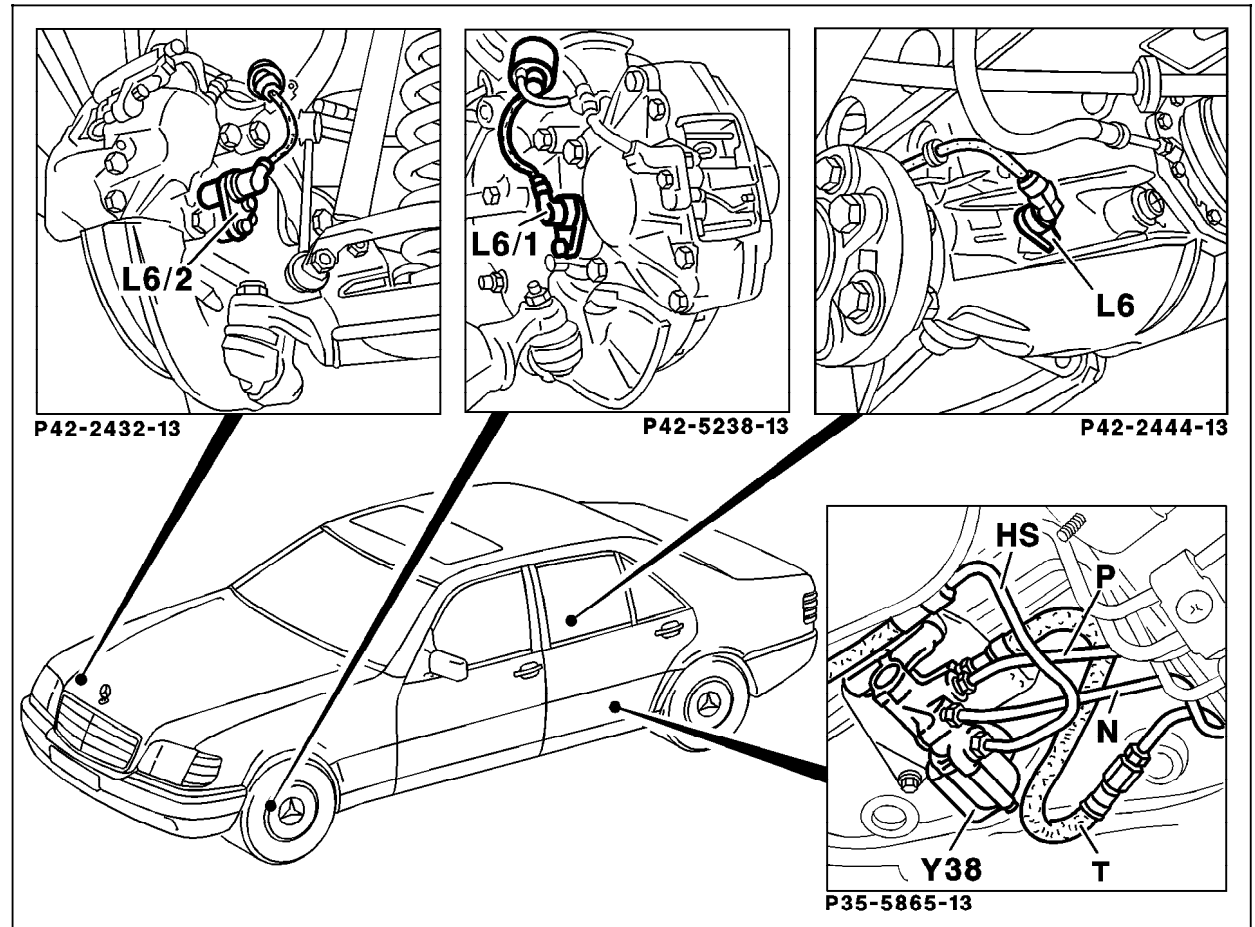


Figure 5

- L6 Rear axle VSS sensor
- L6/1 Left front axle VSS sensor
- L6/2 Right front wheel VSS sensor (not shown)
- Y38 ASD valve

P35-5859-57