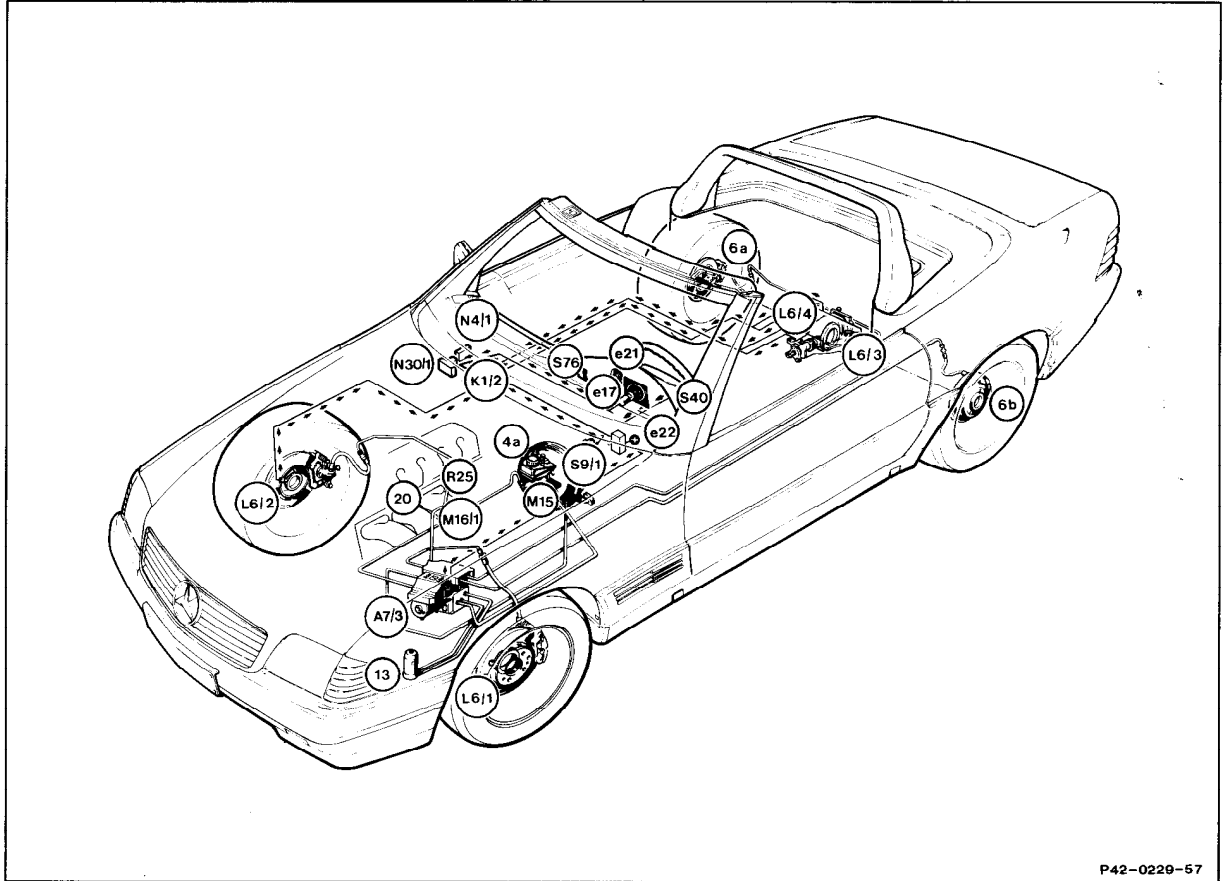


Electrical Test Program – Component Locations

Component Locations

Figure 1

- 4a Brake fluid supply reservoir
- 6a Right rear brake caliper
- 6b Left rear brake caliper
- 13 Pressure reservoir
- 20 Free play rod (redundancy rod)
- A1e17 ABS malfunction indicator lamp
- A1e21 ASR function indicator lamp
- A1e22 ASR malfunction indicator lamp
- A7/3 ABS/ASR hydraulic unit
- K1/1 Overvoltage protection relay module, (87E/87L/30a, 9-pole)
- L6/1 Left front axle vehicle speed sensor
- L6/2 Right front axle vehicle speed sensor
- L6/3 Left rear axle vehicle speed sensor
- L6/4 Right rear axle vehicle speed sensor
- M15 ASR charging pump
- M16/1 Electronic accelerator/cruise control actuator
- N4/1 Electronic accelerator/cruise control module
- N30/1 ABS/ASR control module
- R25 Accelerator pedal position sensor
- S9/1 Stop lamp switch (ASD/ASR)
- S40 Cruise control switch
- S76 Snow chain switch (ASR) switch indicator



P42-0229-57

P42-0229-57