

Electrical Test Program - Component Locations

Electrical Components on Front Axle and in Engine Compartment

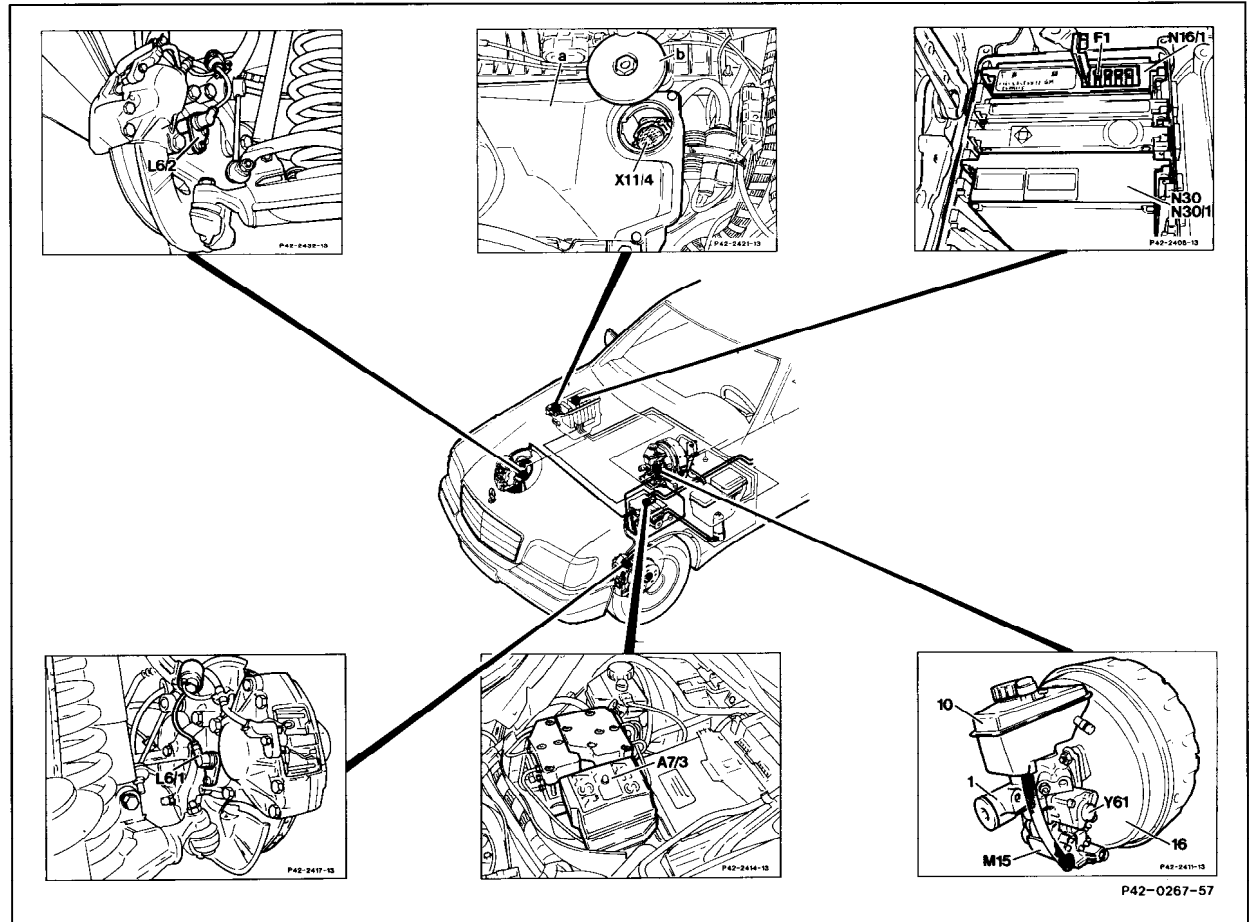


Figure 1

- A7/3     ABS/ASR hydraulic unit
- L6/1     Left front axle VSS sensor
- L6/2     Right front axle VSS sensor
- M15     ASR charging pump
- N16/1    Base module (BM)
- N30/1    ABS/ASR control module
- X11/4    Data link connector (DTC readout)
- Y61     Master brake cylinder switchover valve

P42-0267-57

Electrical Test Program - Component Locations

Electrical Components on the Rear Axle and in Passenger Compartment

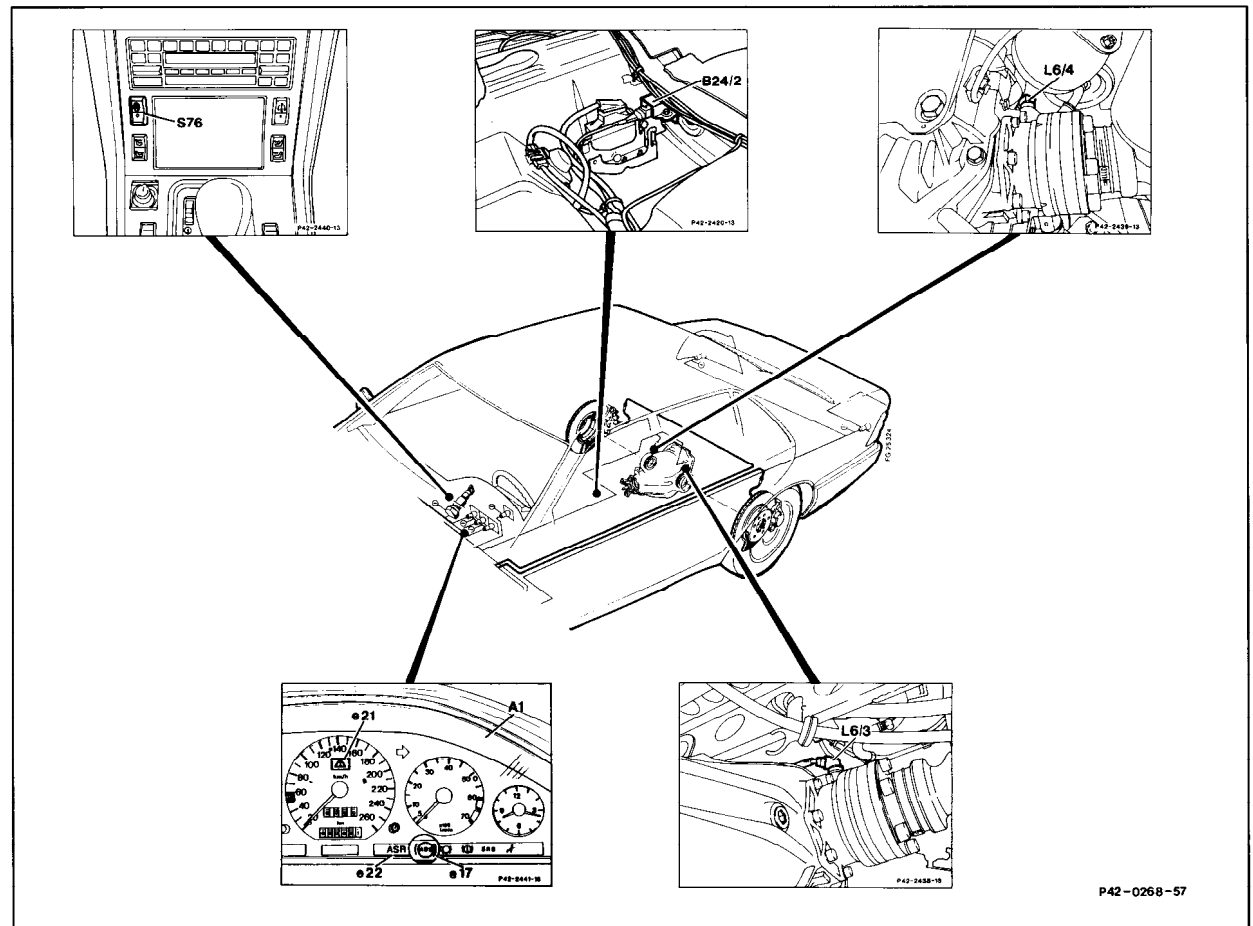


Figure 2

- A1 Instrument cluster
- A1e17 ABS MIL
- A1e21 ASR warning lamp
- A1e22 ASR MIL
- B24/2 ASR lateral acceleration sensor
- L6/3 Left rear axle VSS sensor
- L6/4 Right rear axle VSS sensor

P42-0268-57