

## 5.2 Acceleration Slip Regulation (ASR)

Models 124.034/036, 129.063/067/076, 140

### Electrical Test Program - Preparation for Test

1. Ignition: **OFF**
2. Disconnect ABS/ASR control module (N30/1).
3. Connect socket box (050) with contact module 2 (072) and contact box (070) according to connection diagram.

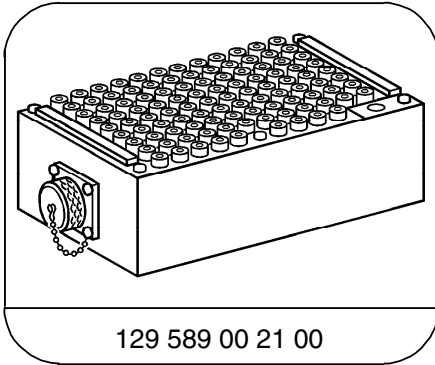
#### Electrical wiring diagrams :

Electrical Troubleshooting Manual, Model 124

Electrical Troubleshooting Manual, Model 129

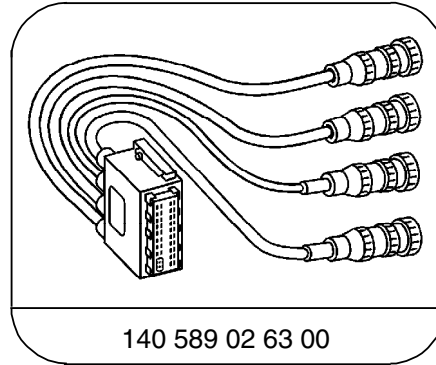
Electrical Troubleshooting Manual, Model 140.

#### Special Tools



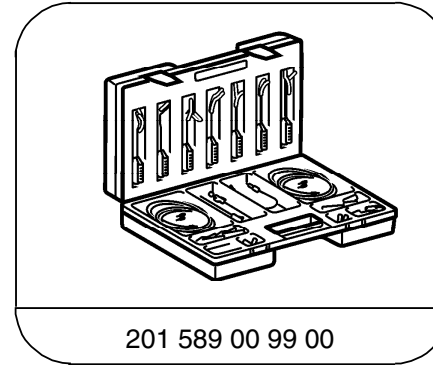
129 589 00 21 00

126-pin socket box



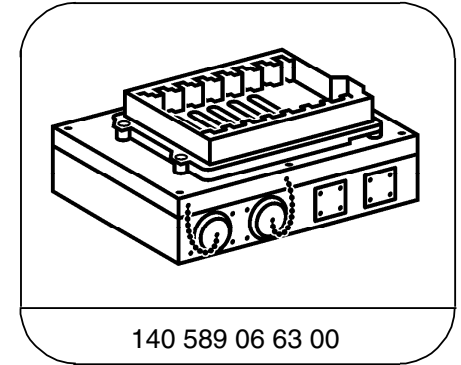
140 589 02 63 00

Contacting module 2



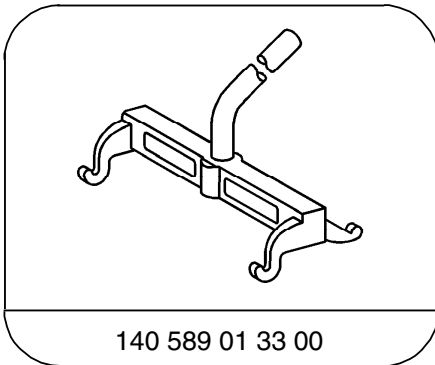
201 589 00 99 00

Electrical connecting set



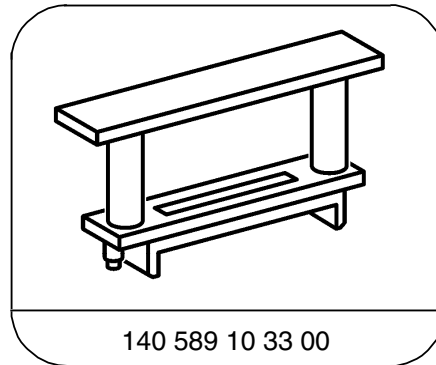
140 589 06 63 00

Contacting box



140 589 01 33 00

Mounting lever



140 589 10 33 00

Spacer

#### Equipment

Digital multimeter <sup>1)</sup>

Fluke model 23, 83, 85, 87

<sup>1)</sup> Available through the MBUSA Standard Equipment Program.

Electrical Test Program - Preparation for Test

Connection Diagram - Socket Box  
Model 124

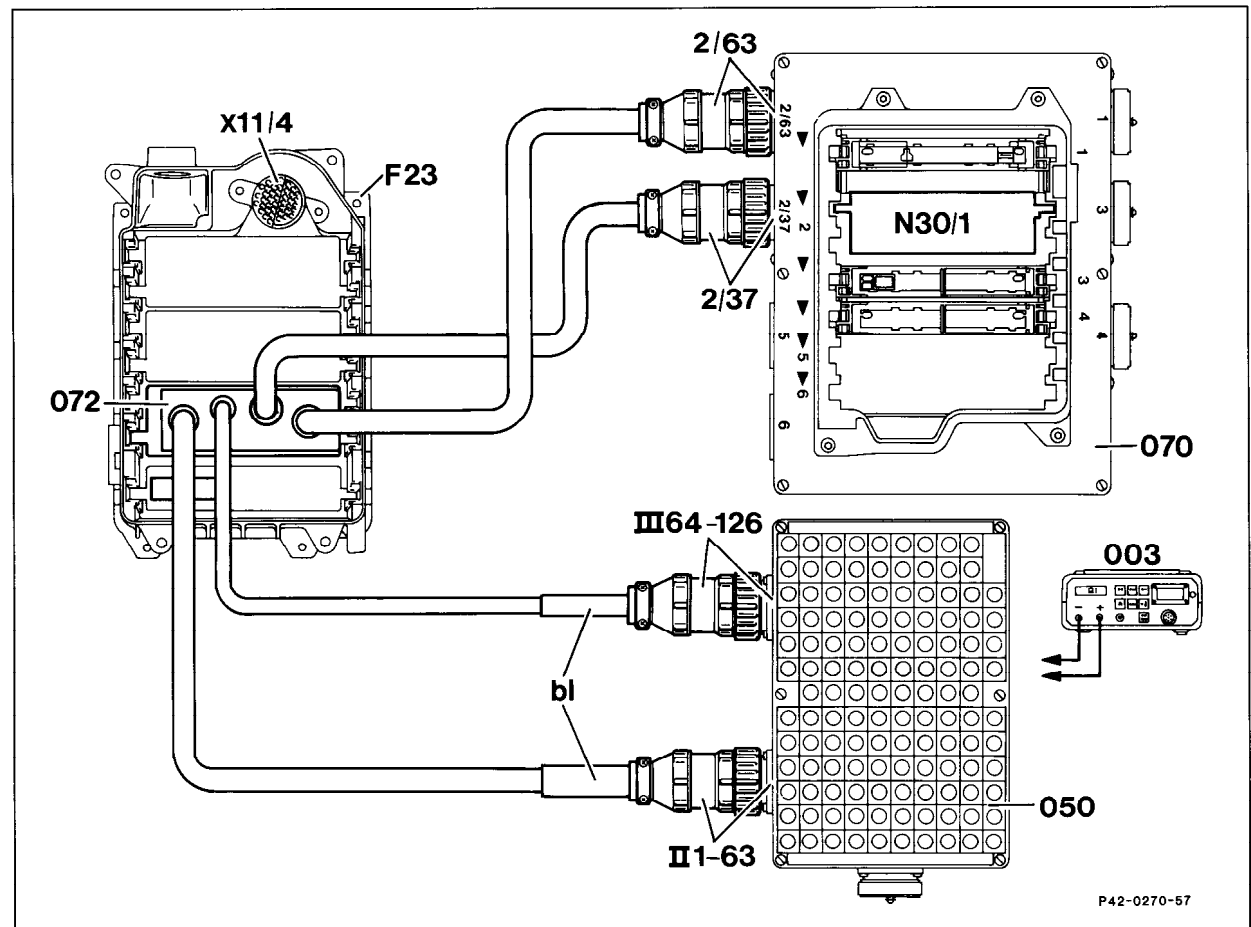


Figure 1

- 003 Digital multimeter
- 050 Socket box, (126-pole)
- 070 Contact box
- 072 Contact module 2
- F23 Module box
- N30/1 ABS/ASR control module
- X11/4 Data link connector
- bl blue

P42-0270-57

Electrical Test Program - Preparation for Test

Connection Diagram - Socket Box  
Model 129

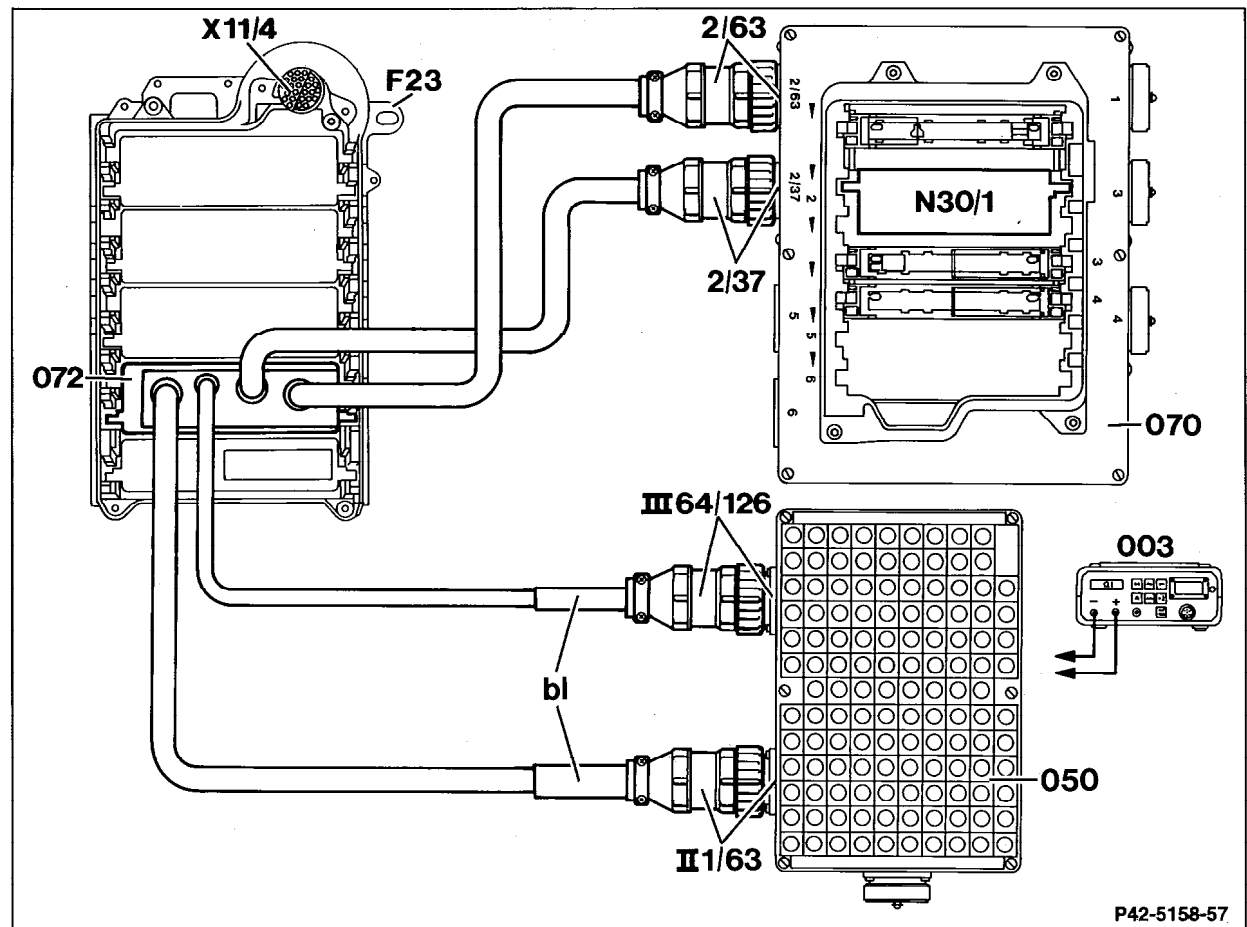


Figure 2

- 003 Digital multimeter
- 050 Socket box, (126-pole)
- 070 Contact box
- 072 Contact module 2
- F23 Module box
- N30/1 ABS/ASR control module
- X11/4 Data link connector
- bl blue

P42-5158-57

P42-5158-57

Electrical Test Program - Preparation for Test

Connection Diagram - Socket Box  
Model 140 with LH-SFI

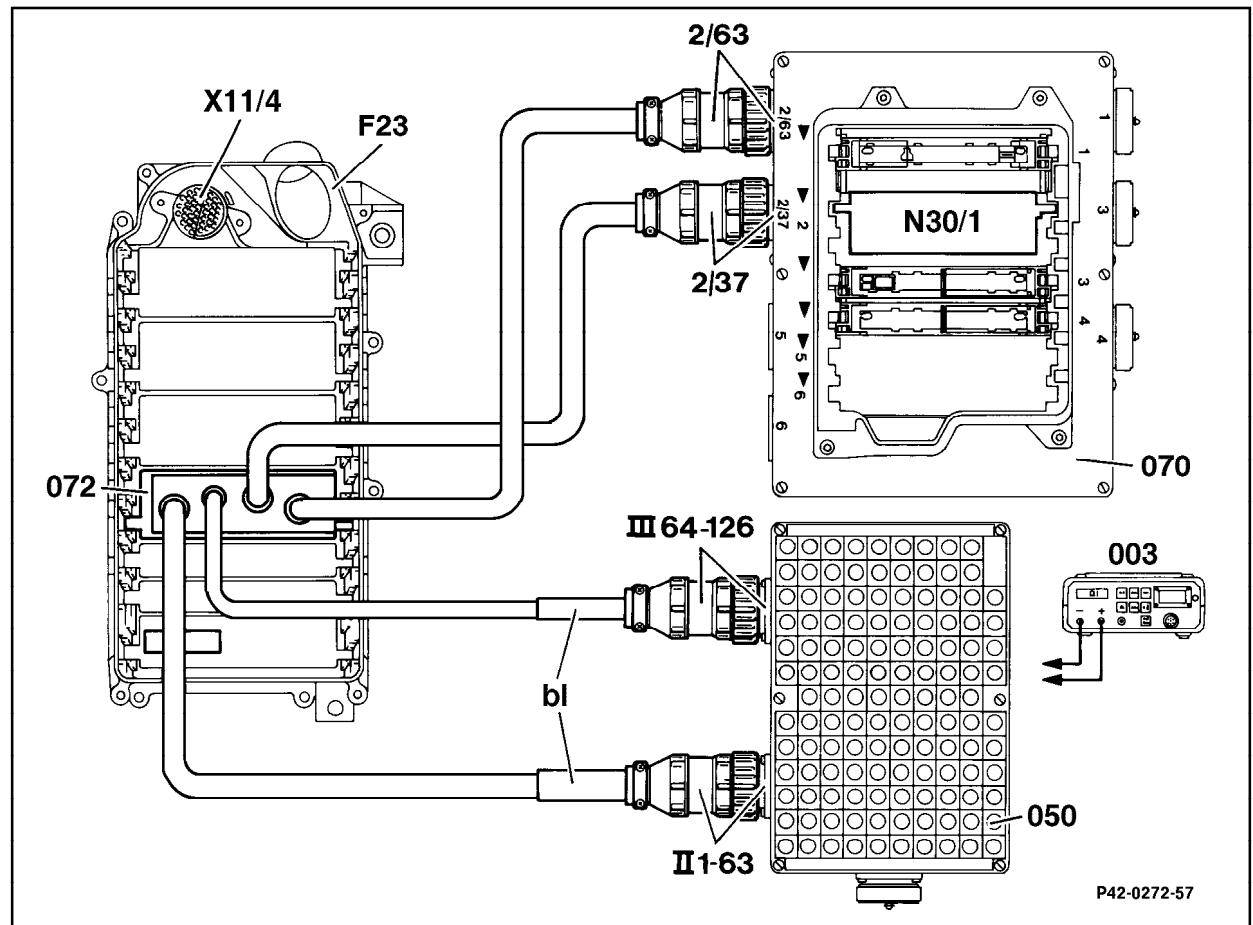


Figure 3

- 003 Digital multimeter
- 050 Socket box, (126-pole)
- 070 Contact box
- 072 Contact module 2
- F23 Module box
- N30/1 ABS/ASR control module
- X11/4 Data link connector
- bl blue

P42-0272-57

P42-0272-57

Electrical Test Program - Preparation for Test

Connection Diagram - Socket Box  
Model 140 with HFM-SFI

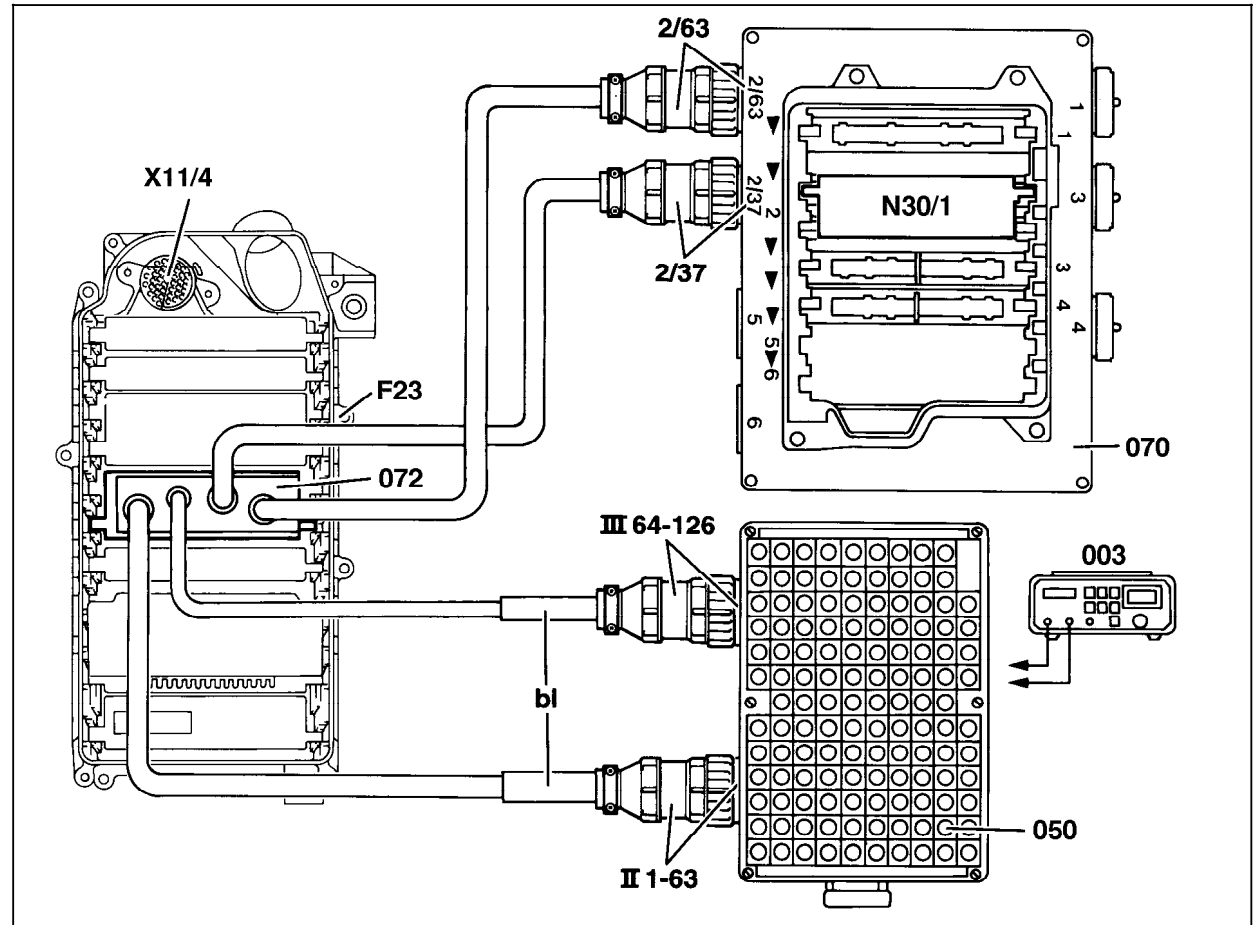


Figure 4

- 003 Digital multimeter
- 050 Socket box, (126-pole)
- 070 Contact box
- 072 Contact module 2
- F23 Module box
- N30/1 ABS/ASR control module
- X11/4 Data link connector
- bl blue

P42-5192-57